



TEC Thermal Printer

# **B-370 SERIES**

## **Parts List**

Document No. **EM8-33015**

Original **Jun., 1994**

(Revised )

## TABLE OF CONTENTS

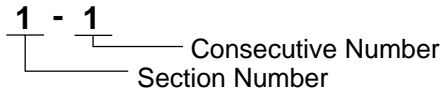
	Page
<b>HOW TO USE THIS PARTS LIST</b>	
<b>BODY PARTS</b>	
1. COVERS .....	B1-1
2. PC BOARD BLOCK .....	B2-1
3. TAKE-UP BLOCK .....	B3-1
4. RIBBON DRIVE BLOCK .....	B4-1
5. PRINTER BLOCK .....	B5-1
6. CUTTER MODULE (B-4203-QM) .....	B6-1
7. HIGH SPEED PC INTERFACE BOARD (B-4800-PC-QM) .....	B7-1
8. MISCELLANEOUS PARTS .....	B8-1
 <b>ELECTRONIC PARTS</b>	
1. CPU PC BOARD ASS'Y (Serial No.: 0Dxxxxxx or earlier) .....	E1-1
2. I/F PC BOARD ASS'Y .....	E2-1
3. PWM2 PC BOARD ASS'Y .....	E3-1
4. CUT I/F PC BOARD ASS'Y .....	E4-1
5. BPC PC BOARD ASS'Y .....	E5-1
6. BPE PC BOARD ASS'Y .....	E6-1
7. PS UNIT (QP MODEL) .....	<del>E7-1</del>
8. CPU PC BOARD ASS'Y (Serial No.: 0Exxxxxx or later) .....	E8-1

### **CAUTION:**

1. *This manual may not be copied in whole or in part without prior written permission of TOSHIBA TEC.*
2. *The contents of this manual may be changed without notification.*
3. *Please refer to your local Authorized Service representative with regard to any queries you may have in this manual.*

## HOW TO USE THIS PARTS LIST

1) Indication of Ref. No.



2) The initials found in the Remarks column refer to the destination. If there is no symbol, it is a standard part.  
QP .....for Europe

3) Miscellaneous parts (screws, washers, etc.) shall be ordered in minimum lots of 100.

4) As a rule, orders will not be accepted and the company will not be responsible for problems concerning parts not listed in this parts list.

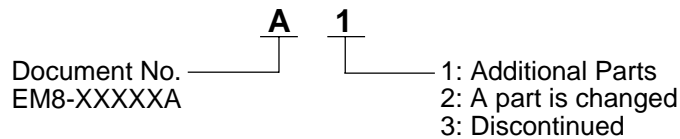
5) The columns from \*1 through \*4 indicates as follows:

\*1 : Quantity/Unit

\*2 : Recommendation of parts stock

	Q'ty/100 Units
Class A .....	10
Class B .....	7
Class C .....	5
Class D .....	3
Class E .....	1

\*3 : Revision record



\*4 : RoHS-compliant part (indicated with "R")

6) The name of the electronic parts are abbreviated as below:

Ref. No.	Real Name	Abbreviation	Ref. No.	Real Name	Abbreviation
C	Capacitor	CAP.	Q	Transistor	XISTOR.
R	Resistor	RSTR.	CN	Connector	CONN.
RA	Resistor Array	RSTR. Array	ZD	Zener Diode	Z. Diode
VR (RV)	Variable Resistor	V. RSTR			

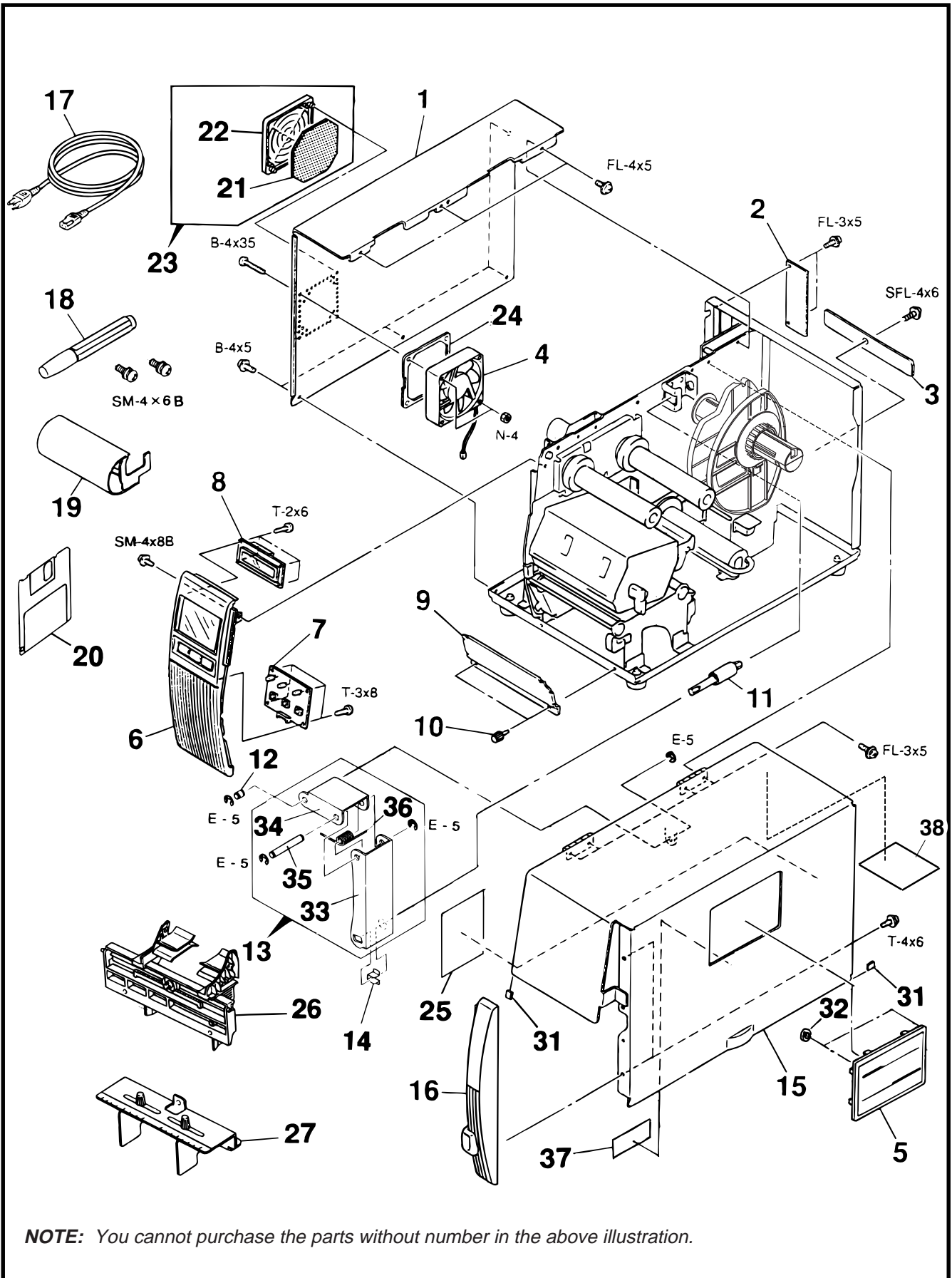
7) Parts with no reference numbers are irreplaceable and unauthorized as service parts.

- NOTES:**
1. The parts shown in this list may be modified by TOSHIBA TEC together with issuing the parts information, if necessary.
  2. The figures in this parts list are provided for reference and may be different form the actual parts in shape.
  3. Electronic parts with the same Ref. No. are interchangeable with each other unless their quantities are listed.
  4. For the underlined assembly parts, the components are available separately.

# BODY PARTS

EM8-33015  
B-370 SERIES JUN. '94  
(Revision Date: May 31, 2002)

## 1 COVERS



<b>1</b>	<b>COVERS 1/2</b>
----------	-------------------

Ref.No.	Part No.	Description	Remarks	*1	*2	*3	*4
1- 1	FMEE0009501 FMEE0009502 FMEE0009503	Side Panel (L)	Changed:11/2000	1			
1- 2	FMEB0084901	Blind Plate		1			
1- 3	FMEB0091901	Rear Cover C		1			
1- 4	FHQB0004801	FAN Motor		1	D		
1- 5	FMHD0008901	Supply Window		1			
1- 6	FMCC0024402	Front Panel		1			
1- 7	FMBB0032501	LED PC Board Ass'y		1	E		
LD1,2	<del>GBH-0162001</del> C0-12260000	LED SLP-236B-81 (Green)	Changed: 9/06	2			R
LD3	CBH-0161001 C0-12259000	LED SLP-136B-81 (Red)	Changed: 9/06	1			R
R1	DBA-121JA2F DBA-121JA2S	Carbon RSTR. RD1/4SST26 120y Carbon RSTR. SRD1/41200HMJ 120y		1			
SW1-3	EBA-0040001	Key Switch SKHCAB		3			
CN1	<del>EAA-2375001</del> E0-10729000	<del>CONN. S7B-PH-K-S</del> CONN. S7B-PH-K-S (LF) (SN)	Changed: 9/06	1			R
1- 8	FMBB0029401	LCD		1	D		
1- 9	<del>FMEC0039101</del> <del>FMEC0039102</del> FMEC0039103	Front Plate	Changed:11/2000	1			
1-10	HAA-0004001	Black Screw M-4x6		2	A		
1-11	HZC-0024001	DamperTD16A1-25K-01		1	C		
1-12	FMDB0069001	Damper Shaft S		1			
1-13	FMBB0050002	Damper Link Ass'y		1			
1-14	FMEB0111601	Damper Support		1			
1-15	<del>FMCD0014101</del> <del>FMCD0014102</del> FMCD0014103	TopCover	Changed:9/99 Changed:11/2000	1			
1-16	FMHE0002902	Front Cover		1			
1-17	<del>EKA-0030001</del> EKA-0050001	Power Cord	QP Changed:2/04	1	D		
1-18	24089500013	Print Head Cleaner		1	A		
1-19	FMBD0034601	Rewinder Guide Plate		1			
1-20	FMBC0036002	Program Down Load FDK	Service Part	1			
1-21	FMQB0039501	Filter Pad		1			
1-22	FMHB0020801	Filter Retainer		1			
1-23	FMBB0036801	FAN Filter		1			
1-24	FMQB0039901	FAN Spacer		1			
1-25	<del>FMMC0014502</del> FMMC0023801	Roll Loading Instructions Label	Changed:4/2000	1			

\*1: Q'ty/Unit \*2: Recommended Parts \*3: Revised Record \*4: RoHS

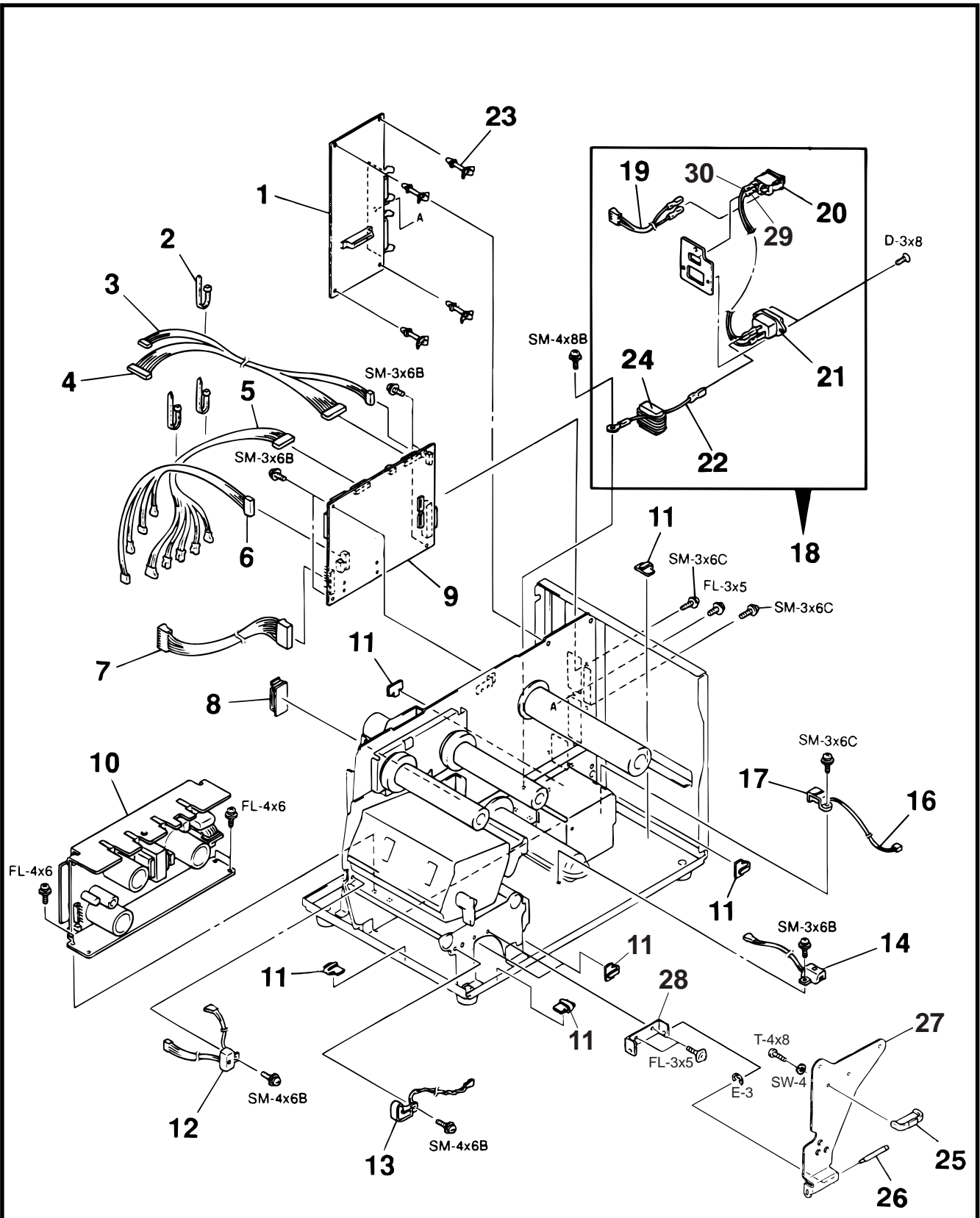
1

## COVERS 2/2

Ref.No.	Part No.	Description	Remarks	*1	*2	*3	*4
1-26	FMBD0026803 FMBD0026804	Fanfold Paper Guide (Front)	B-4903-FF-QM Changed:3/2001	1			
1-27	-----	Fanfold Paper Guide (Rear)	B-4903-FF-QM	1			
4-28	<del>FMMB0050601</del>	<del>Caution Label A</del>	<del>Deleted: 4/'98</del>	<del>4</del>			
4-29	<del>FMMB0050701</del>	<del>Caution Label B</del>	<del>Deleted: 4/'98</del>	<del>4</del>			
4-30	<del>FMMB0050801</del>	<del>Caution Label C</del>	<del>Deleted: 4/'98</del>	<del>4</del>			
1-31	<del>FMQB0045101</del> FMHB0031901	Top Cover Edge Guard	Changed: 7/'98	2			
1-32	JFQB0015001	Flat Push Nut		2			
1-33	FMEB0111401	Damper Link L		1			
1-34	FMEB0111501	Damper Link S		1			
1-35	FMDB0068901	Damper Shaft L		1			
1-36	FMQB0058101	Damper Spring		1			
1-37	FMMC0020201	Caution Label ABC	Added:4/'98	1			
1-38	FMMC0024101	Supply Set Label	Added:4/2000				

\*1: Q'ty/Unit \*2: Recommended Parts \*3: Revised Record \*4: RoHS

**2** PC BOARD BLOCK



**NOTE:** You cannot purchase the parts without number in the above illustration.

2

## PC BOARD BLOCK

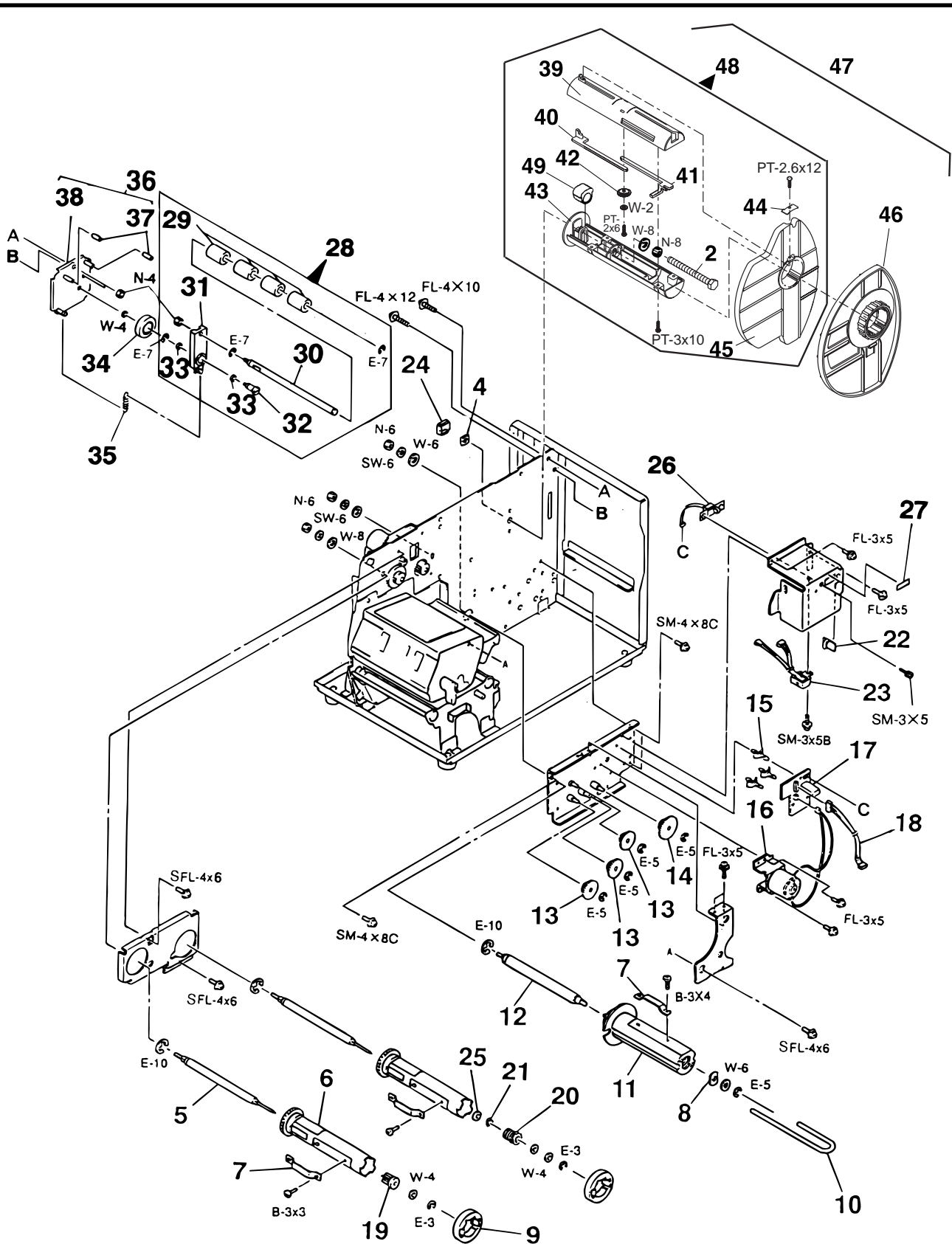
Ref.No.	Part No.	Description	Remarks	*1	*2	*3	*4
2- 1	-----	I/F PC Board Ass'y (Service No. B-198-02)		1	E		
2- 2	24081600000	Cable Band ALT096S TC-100		3			
	F0-01277000	Cable Band CV-100	Added:11/'03				
2- 3	FMCB0056102	LED Harness		1	E		
2- 4	FMCB0056202	LCD Harness		1	E		
2- 5	FMCC0023202	Sensor Harness		1	E		
2- 6	<del>FMCC0023303</del> FMCC0023304	DC Motor Harness	Changed:9/'98	1	E		
2- 7	FMCB0056502	PS Harness		1	E		
2- 8	24060200098	Clamp FCN-3010		1			
2- 9	<del>FMBC0036302</del> FMBC0084406	CPU PC Board Ass'y (Service No. B-197-22) (Service No. B-197-32) (Service No. B-303-06)	Changed:10/'97 Changed:3/2000	1	E		
2-10	GDB-0085001	PS Unit	QP	1	E		
2-11	24088100910	Clamp K-103G		7			
2-12	FMBB0037001	Strip Sensor (TR)		1	B		
2-13	FMBB0036901	Strip Sensor (LED)		1	B		
2-14	FMBB0031501	Rewind Full Sensor (LED)		1	B		
2-16	FMBB0029301	TH Sensor		1	B		
2-17	EAHB0000201	Sensor Holder		1			
2-18	FMBB0027901	Inlet Ass'y		1			
2-19	FMCB0058702	Power Switch Harness		1	E		
2-20	<del>EBE-0054001</del> E0-01391000	Power Switch JWZ2120-1603	Changed:6/'06	1			
2-21	<del>EAG-0012001</del> E0-11056000	Inlet AP-300-3B2(V) Inlet AP-300-2B2NI(V)BLK	Changed:6/'06	1	D		
2-22	FMCB0058502	Earth Harness		1	E		
2-23	FDB-0107001	Locking Support LCBT-14S		4			
	FDB-0056004	Locking Support KGLS-14S					
2-24	<del>FMCB0064401</del> <del>24320600070</del> D0-04264000	Ribbon Shaft Holder Plate Ferrite Core ESD-R-25B	Corrected:5/'02 Changed:6/'06	1			
2-25	FMHC0009501	Ribbon Holder Knob		1			
2-26	FMDB0056501	Holder Plate Shaft		1			
2-27	<del>24320600070</del> FMCB0062402	Ferrite Core ESD-R-25B Ribbon Shaft Holder Plate	Corrected:5/'02	1			
2-28	FMEB0090801	Ribbon Shaft Holder Plate B	Corrected:5/'02	1			
2-29	FMCB0058603	Inlet Harness K03 (White)	Corrected:5/'02	1			
2-30	FMCB0058604	Inlet Harness K04 (Black)	Corrected:5/'02	1			

\*1: Q'ty/Unit \*2: Recommended Parts \*3: Revised Record \*4: New Parts



3

## TAKE-UP BLOCK



**NOTE:** You cannot purchase the parts without number in the above illustration.

3

## TAKE-UP BLOCK 1/2

Ref.No.	Part No.	Description	Remarks	*1	*2	*3	*4
3- 1	<del>FMHD0006001</del> FMBC0080601	Supply Shaft Discontinued: 4/2000	Changed: 6/'99	1			
3- 2	<del>24A300108A0</del> X20K0860130	Hex. Bolt H-8x100 Hex. Bolt H-8x60		1			
<del>3- 3</del>	<del>FMHD0005503</del> FMHD0005504	Supply Holder Discontinued: 4/2000	Changed: 6/'99	2	E		
3- 4	24A45310080	Plate Nut		1			
3- 5	FMDC0006601	Ribbon Shaft		2			
3- 6	FMCB0064901	Ribbon Holder		2			
3- 7	FMQB0039101	Holder Stopper		3			
3- 8	FMEB0084501	Ribbon Shaft Stopper		1			
3- 9	FMHC0008801	Ribbon Stopper		2			
3-10	FMDC0006701	Take-up Clip		1			
3-11	FMCB0065001	Take-up Holder		1			
3-12	FMDC0006501	Take-up Shaft		1			
3-13	FMHB0019701	Take-up Gear		3	D		
3-14	FMHB0018201	Idle Gear		1	D		
3-15	FDB-0044001 FDB-0027001	Locking Support LCBT-3S Locking Support KGLS-3S		3			
3-16	FMBB0030601	Take-up Motor		1	E		
3-17	FMBC0047102 (Service No. B-236-02)	PWM2 PC Board Ass'y		1	E		
3-18	FMCB0056602	Take-up Harness		1	E		
3-19	FMHB0020401	Dummy Spacer		1			
3-20	FMBC0035901	Ribbon Back Tension Block		1	A		
3-21	FMEB0090701	Back Tension Stopper		1			
3-22	24088100910	Clamp K-103G		1			
3-23	FMBB0031401	Rewind Full Sensor (TR)		1	B		
3-24	FMHB0020501	Nut Cap		1			
3-25	FMQB0037201	Ribbon Back Tension Washer		1			
3-26	FMBB0041101	Selection Switch Ass'y		1			
3-27	FMMB0044201	Selection Switch Label		1			
3-28	FMBC0048901	Damper Arm Ass'y		1			
3-29	<del>FMHB0021701</del> FMHB0021702	Damper Roller Corrected: 5/'02		4			
3-30	FMDB0063101	Damper Shaft		1			

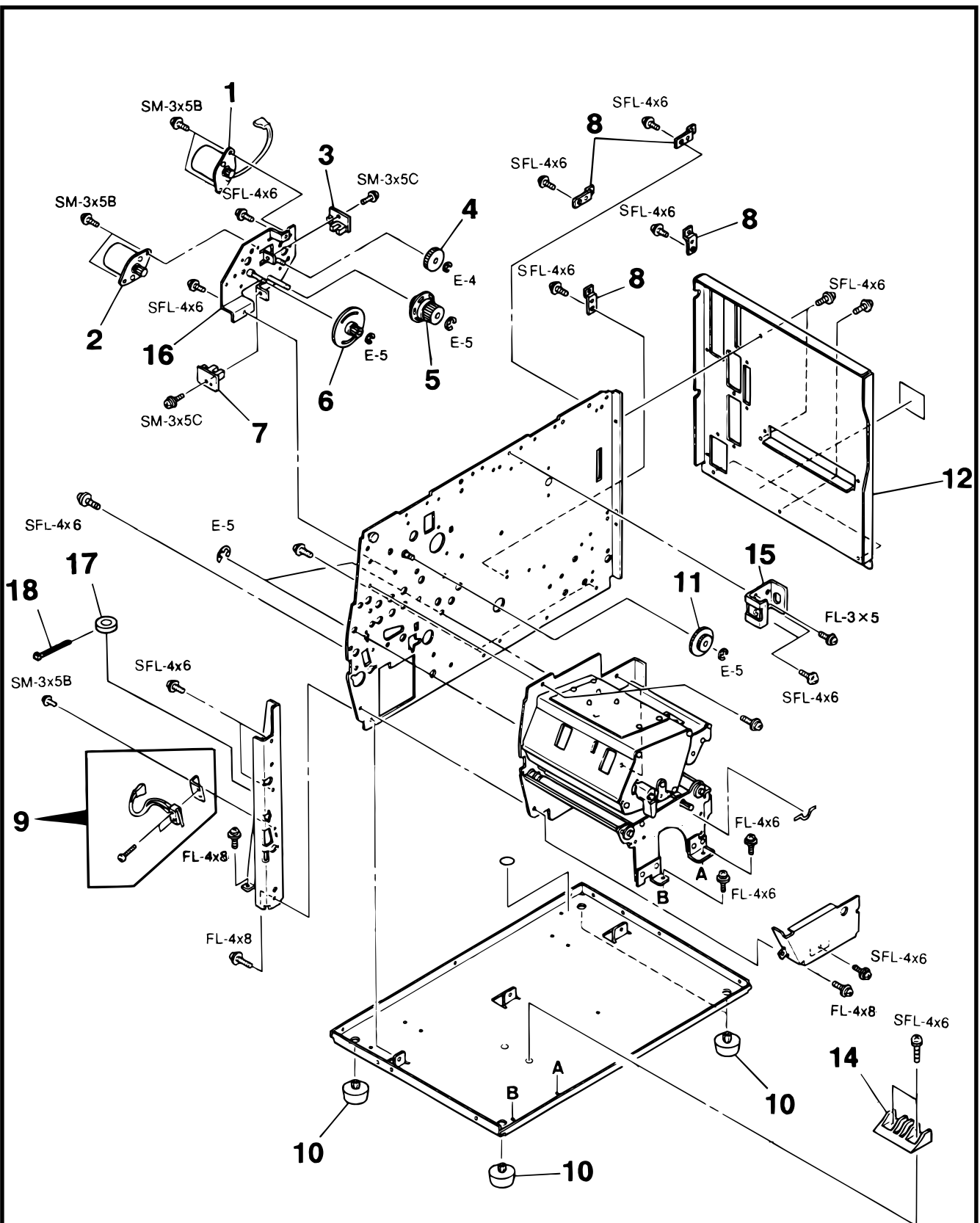
\*1: Q'ty/Unit \*2: Recommended Parts \*3: Revised Record \*4: New Parts

**3****TAKE-UP BLOCK 2/2**

Ref.No.	Part No.	Description	Remarks	*1	*2	*3	*4
3-31	FMCB0075101	Damper Arm Sub Ass'y		1			
3-32	FMDB0062301	Arm Shaft		1			
3-33	FMEB0092601	Damper Washer		2			
3-34	FMHB0021601	Damper Spacer		1			
3-35	FMQB0045501	Damper Spring		1			
3-36	FMBC0048701	Damper Arm Stopper Plate Ass'y		1			
3-37	FMQB0045601	Damper Stopper Rubber		2			
3-38	FMCC0030401	Damper Arm Stopper		1			
3-39	FMHD0011901	Supply Core A	Added:4/2000	1			
3-40	FMCB0102601	Supply Rack Gear L	Added:4/2000	1			
3-41	<del>FMCB0102701</del>	Supply Rock Gear R	Added:4/2000	1			
	FMCB0102702		Changed:8/2000				
3-42	FMHB0031501	Supply Gear	Added:4/2000	1			
3-43	FMHE0009901	Supply Core B	Added:4/2000	1			
3-44	FMEB0127401	Holder Lock Plate	Added:4/2000	1			
3-45	FMHE0009801	Supply Holder L	Addee:4/2000	1			
3-46	FMBC0085001	Supply Holder R Ass'y	Added:4/2000	1			
3-47	FMBD0041203	Supply Holder Ass'y	Added:4/2000	1			
3-48	FMBD0041204	Supply Holder Sub Ass'y	Service Parts	1			
			Addee:4/2000				
3-49	FMHB0033501	Supply Core Spacer	Added:7/2000	1			0

\*1: Q'ty/Unit \*2: Recommended Parts \*3: Revised Record \*4: New Parts

**4 RIBBON DRIVE BLOCK**



**NOTE:** You cannot purchase the parts without number in the above illustration.

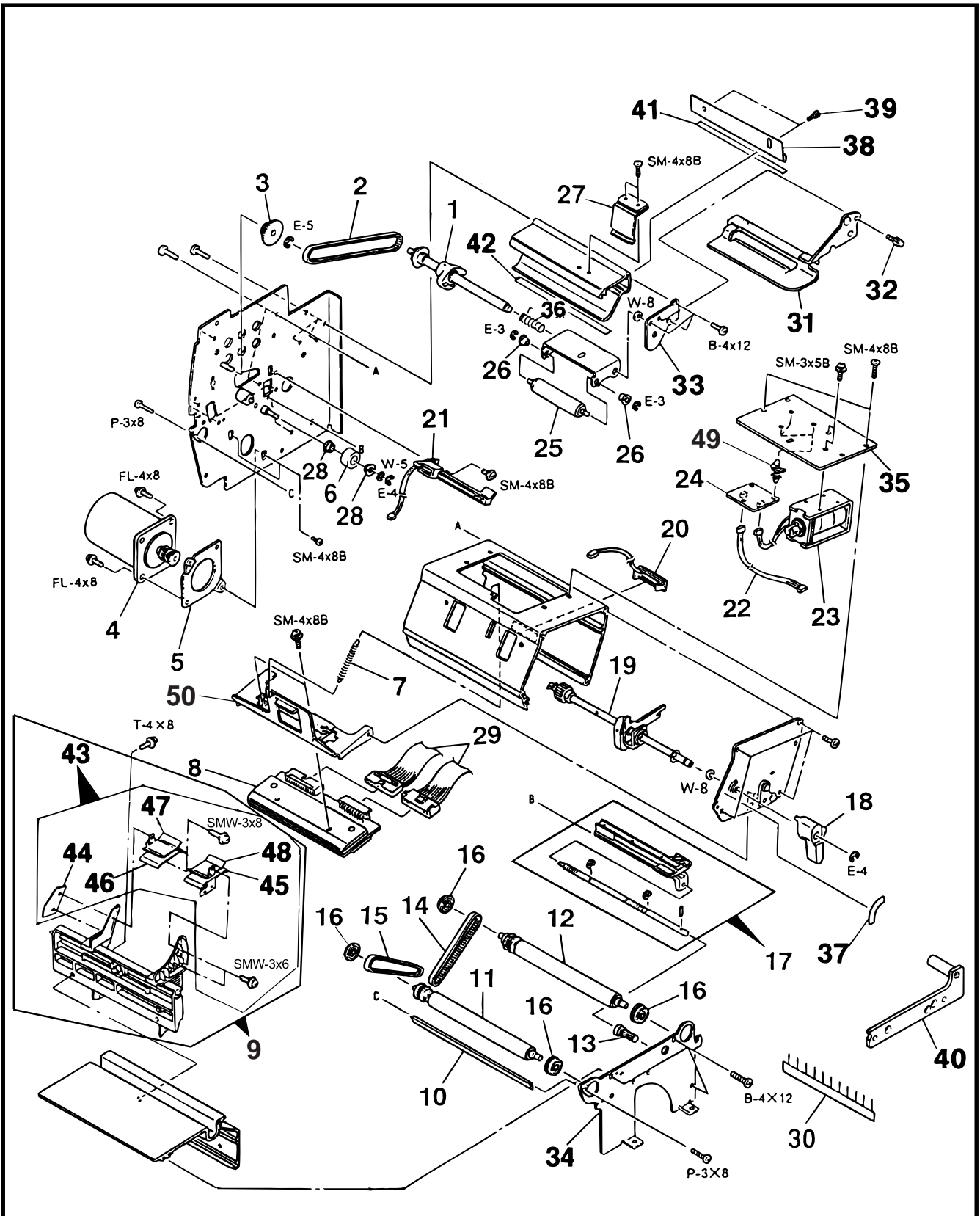
## 4

## RIBBON DRIVE BLOCK

Ref.No.	Part No.	Description	Remarks	*1	*2	*3	*4
4- 1	FMBB0030502	Ribbon Motor (Feed) [CONN. color: Red]		1	E		
4- 2	FMBB0030501	Ribbon Motor (Rewind) [CONN. color: Black]		1	E		
4- 3	<del>FMBB0028402</del> FMBB0028404	Slit Sensor (Rewind)	Changed:7/'03	1	B		
PC1	<del>DED-0049001</del> DED-0093001	<del>Photo Coupler TLP826</del> Photo Coupler TLP832	Changed:7/'03	1			
CN1	EAA-0585001	CONN. 53015-0311 Black		1			
4- 4	FMHB0018301	Idle Gear		1	D		
4- 5	FMHC0008501	Feed Slit Gear		1	D		
4- 6	FMHC0008201	Rewind Slit Gear		1	D		
4- 7	<del>FMBB0028401</del> FMBB0028403	Slit Sensor (Feed)	Changed:7/'03	1	B		
PC1	<del>DED-0049001</del> DED-0093001	<del>Photo Coupler TLP826</del> Photo Coupler TLP832	Changed:7/'03	1			
CN1	24420201450	CONN. 53015-0310		1			
4- 8	FMEB0085101	PCB Attached Plate		4			
4- 9	FMBB0030901	Head Up Switch		1	E		
4-10	24089157031	Plastic Foot 1325		4			
4-11	FMHB0018201	Idle Gear		1	D		
4-12	FMEE0009801	Rear Cover		1			
4-14	FMHB0021801	Rewinder Paper Guide		1			
4-15	FMEB0087801	Damper Bracket		1			
4-16	FMCC0024001	Ribbon Motor Attach Plate		1			
4-17	DDA-0122001	Ferrite Core TFC-23-11-14		1			
4-18	24081600000 FO-01277000	Cable Band ALT096S TC-100 Cable Band CV-100	Added:11/'03	1			

\*1: Q'ty/Unit \*2: Recommended Parts \*3: Revised Record \*4: New Parts

**5** **PRINTER BLOCK**



**NOTE:** You cannot purchase the parts without number in the above illustration.

5

## PRINTER BLOCK 1/2

Ref.No.	Part No.	Description	Remarks	*1	*2	*3	*4
5- 1	FMBB0036001	Pinch Roller Shaft		1			
5- 2	FCA-0072001	Timing Belt 40S3M300		1	B		
5- 3	FMHB0017801	Pinch Roller Gear B		1			
5- 4	<del>FMBB0035201</del>	<del>Stepping Motor (SPH-54AB135)</del>		1	E		
	FMBB0035202	Stepping Motor (STH-55D332-01)	Changed:7/'99				
5- 5	FMEB0086902	Motor Bracket		1			
5- 6	FMDB0054902	Idle Roller	See NOTE 1	1			
5- 7	FMQB0034501	Head Up Spring		1			
5- 8	<del>FMBB0036202</del>	Print Head		1	A		0
	FMBB0036203		Changed:6/'99				
5- 9	<del>FMBD0026803</del>	Paper Guide Ass'y		1			
	FMBD0026804		Corrected:5/'02				
5-10	FMGB0000701	Strip Shaft		1			
5-11	FMBB0035701	Platen		1	B		
5-12	FMBB0035702	Feed Roller		1	B		
5-13	FMHB0018101	Knob		1			
5-14	FCA-0076001	Timing Belt 60S2M190		1	B		
5-15	FCA-0075001	Timing Belt 60S2M200		1	B		
5-16	<del>FAA-0056001</del>	<del>Holder LNR-1680HHR</del>		4	B		
	F0-01326000	Shaft Holder LNR-1680HHR	Changed:7/'04				
5-17	FMBC0037802	Paper Sensor Ass'y		1	B		
5-18	FMHB0020601	Head Lever		1			
5-19	FMBC0037901	Head Cam Shaft Ass'y		1			
5-20	FMBB0032401	Ribbon End Sensor (TR)		1	B		
5-21	FMBB0032301	Ribbon End Sensor (LED)		1	B		
5-22	FMCB0056702	Solenoid Harness		1	E		
5-23	<del>FMBB0032101</del>	Solenoid		1	D		
	FMBB0032106		Changed:8/'05				R
5-24	FMBB0029601	RSV PC Board Ass'y (Service No. B-200-01)		1	E		
Q1	CBA-0327001	PNP XISTOR. 2SB1268		1			
R1	DBA-103JA2F	Carbon RSTR. RD1/4SSTJ 10K $\Omega$		1			
	DBA-103JA2S	Carbon RSTR. SRD1/4S10KOHM $\Omega$					
F1	EHA-0076007	Fuse CCV-1AF12.5 1A		1	D		
D1,2	2421BAM01Z0	Diode AM01Z		2			
CN1	EAA-1178001	CONN. 53014-0310		1			
CN2	EAA-0589001	CONN. 53014-0213		1			
5-25	FMQB0039001	Pinch Roller		1	B		
5-26	HDA-0033001	Shaft Holder B-F4-73		2	B		
5-27	FMCB0065301	Spring Plate		1			

\*1: Q'ty/Unit \*2: Recommended Parts \*3: Revised Record \*4: New Parts

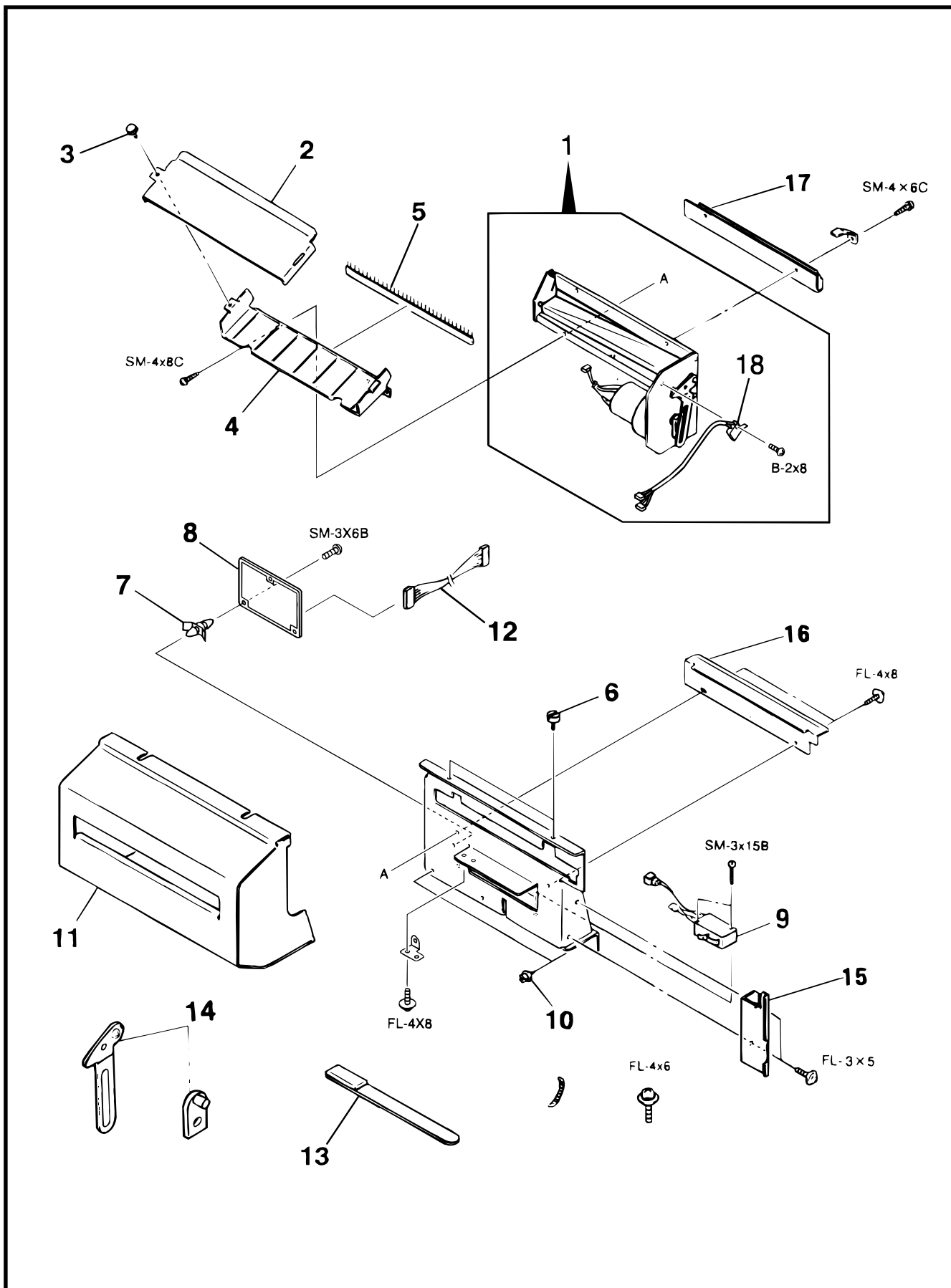
**5****PRINTER BLOCK 2/2**

Ref.No.	Part No.	Description	Remarks	*1	*2	*3	*4
5-28	FAF-0022001	Shaft Holder B-F5-53		2	B		
5-29	FMCC0025303	Head Harness		1	E		
5-30	FMQB0037901	Brush 30mm		1			
	FMQB0039601	Brush 22mm		1			
	FMQB0039701	Brush 87mm		1			
	FMQB0039801	Brush 115mm		1			
5-31	FMCC0026001	Media Guide Plate		1			
5-32	HAA-0004001	Black Screw M-4x6		1	A		
5-33	FMEB0084302	Pinch Roller Cover		1			
5-34	<del>FMEC0035411</del> FMEC0035412	Right Plate	Changed:5/2001	1			
5-35	FMEC0038901	Solenoid Attaching Plate		1			
5-36	FMQB0042801	Pinch Roller Spring		1			
5-37	FMMB0037803	Head Open Label		1			
5-38	FMEC0044701	Guide Plate		1			
5-39	24A31040406	Hex. Bolt Screw M-4x6		2			
5-40	FMYC0001002	Pinch Roller Jig	Service Part				
5-41	<del>FMQB0053701</del> FMQB0053901	Teflon Sheet A	Corrected:5/'02	1			
5-42	<del>FMQB0053801</del> FMQB0054001	Teflon Sheet B	Corrected:5/'02	1			
5-43	<del>FMBB0046701</del> FMBB0046702 FMBB0046701	Paper Holder Ass'y	Corrected:5/'02 Corrected:10/'03	1			
5-44	FMEB0098001	Paper Holder Support		1			
5-45	<del>FMEB0108201</del> EMEB0108202	Paper Holder R (Lower)	Changed:3/2001	1			
5-46	<del>FMEB0108001</del> FMEB0108002	Paper Holder L (Lower)	Changed:3/2001	1			
5-47	<del>FMEB0108101</del> FMEB0108102	Paper Holder L (Upper)	Changed:3/2001	1			
5-48	<del>FMEB0108301</del> FMEB0108302	Paper Holder R (Upper)	Changed:3/2001	1			
5-49	FDB-0044001 FDB-0027001	Locking Support LCBT-3S Locking Support KGLS-3S	Corrected:5/'02	3			
5-50	FMBB0035901	Head Bracket Ass'y	Added:10/'02	1			
<p><b>NOTE 1:</b> Attach the idle roller so that the side grooved deeper faces the E-4 E-ring.</p>							

\*1: Q'ty/Unit \*2: Recommended Parts \*3: Revised Record \*4: New Parts



**6 CUTTER MODULE (B-4203-QM)**

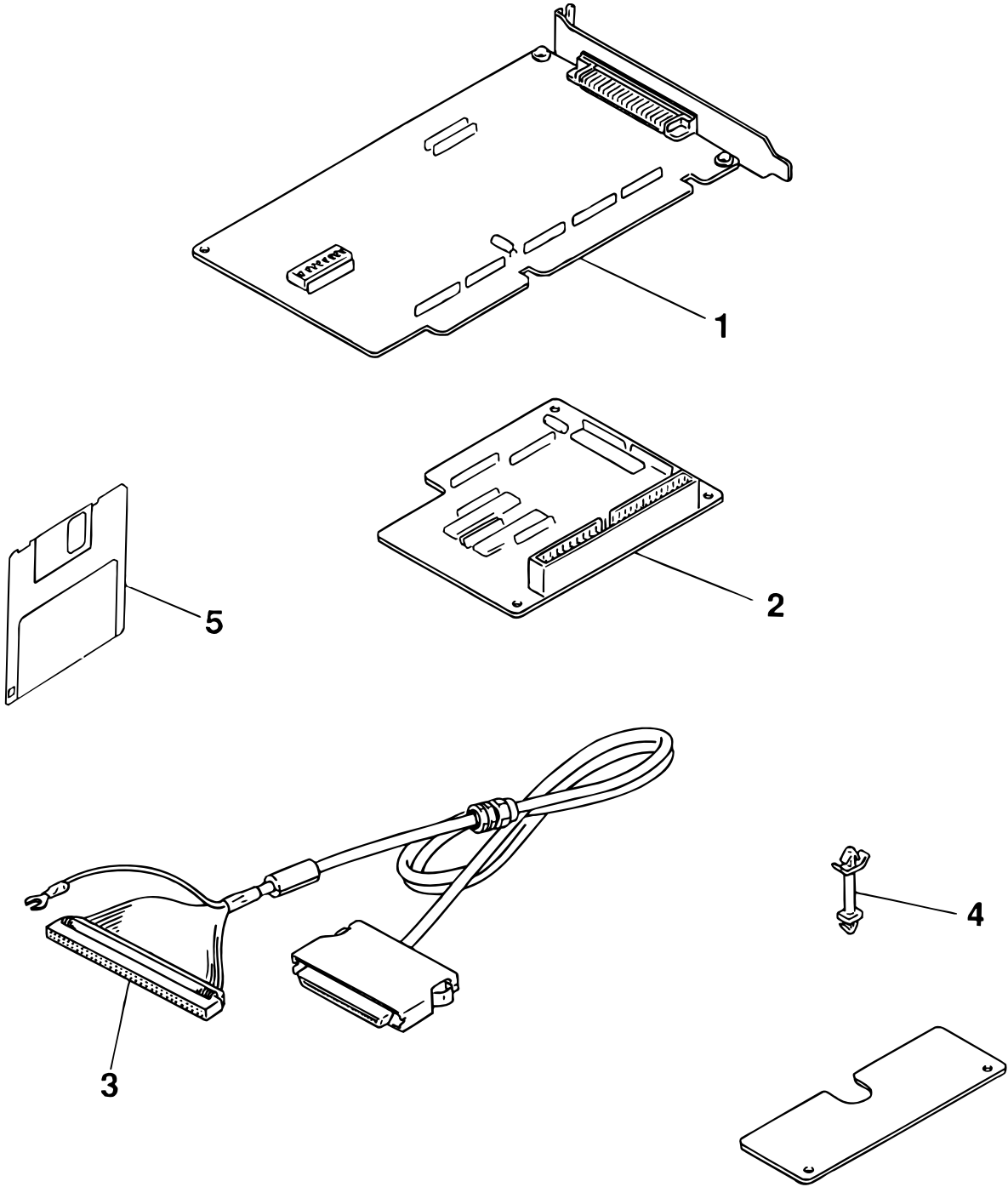


**6 CUTTER MODULE (B-4203-QM)**

Ref.No.	Part No.	Description	Remarks	*1	*2	*3	*4
6- 1	GFM-0064001	Cutter Unit		1	E		
6- 2	FMBC0041101	Media Guide B		1			
6- 3	24741710304	White Screw M-3x4		1	A		
6- 4	FMCC0025901	Media Guide A		1			
6- 5	FMQB0041301	Brush 80 mm		1			
6- 6	HDA-0038001	Cover Holding Screw		2	A		
6- 7	FDB-0044001	Locking Support LCBT-3S		2			
6- 8	FMBB0034301	CUT I/F PC Board Ass'y (Service No. B-199-01)		1	E		
6- 9	FMBB0034401	Cover Open Switch		1	E		
6-10	FMDB0056601	Cutter Attaching Screw		2	A		
6-11	FMBC0040901	Cutter Cover		1			
6-12	FMCB0056602	Take-up/Cutter Harness		1	E	A2	
6-13	HP02B026100	Cleaner		1	A		
6-14	ZBA-1464001	Arm and Clutch Kit	Service Part				
6-15	FMEB0091701	Cutter Link Cover		1			
6-16	FMEC0039701	Cutter Guide Plate B		1			
6-17	FMEC0039601	Cutter Guide Plate A		1			
6-18	ZBA-2095002	Cutter Micro Switch Ass'y		1			

\*1: Q'ty/Unit \*2: Recommended Parts \*3: Revised Record \*4: New Parts

**7 HIGH SPEED PC INTERFACE BOARD (B-4800-PC-QM)**



**NOTE:** You cannot purchase the parts without number in the above illustration.

**7****HIGH SPEED PC INTERFACE BOARD (B-4800-PC-QM)**

Ref.No.	Part No.	Description	Remarks	*1	*2	*3	*4
7- 1	-----	BPC PC Board Ass'y (Service No. B-203-01)		1	E		
7- 2	-----	BPE PC Board Ass'y (Service No. B-202-01)		1	E		
7- 3	FMCB0064001	Printer Cable		1	E		
7- 4	FDB-0103001	Locking Support EMS-14S		2			
7- 5	FMBC0037503	Printer Driver FDK		1			

\*1: Q'ty/Unit \*2: Recommended Parts \*3: Revised Record \*4: New Parts

**8 MISCELLANEOUS PARTS 1/2**

Ref.No.	Part No.	Description	Remarks	*1	*2	*3	*4
SM-3x5B	24BB0010305	Sems Screw SM-3x5B					
SM-3x5C	24BP0010305	Sems Screw SM-3x5C					
SM-3x6B	24BB0010306	Sems Screw SM-3x6B					
SM-3x6C	24BP0010306	Sems Screw SM-3x6C					
SM-3x15B	24BB0010315	Sems Screw SM-3x15B					
SM-4x6B	24BB0010406	Sems Screw SM-4x6B					
SM-4x6C	24BP0010406	Sems Screw SM-4x6C					
SM-4x8B	24BB0010408	Sems Screw SM-4x8B					
SM-4x8C	24BP0010408	Sems Screw SM-4x8C					
SMW-3x6	X0-00055000	Double Sems Screw M-3x6	Small washer Added:6/'04				
SMW-3x8	X0-00072000	Double Sems Screw M-3x8	Small washer Added:6/'04				
FL-3x5	24B50010305	Flanged Screw FL-3x5					
FL-4x5	24B50010405	Flanged Screw FL-4x5					
FL-4x6	24B50010406	Flanged Screw FL-4x6					
FL-4x8	24B50010408	Flanged Screw FL-4x8					
SFL-4x6	24A16710406	S Tite Flanged Screw SFL-4x6					
B-2x8	24B05040208	Bind Screw B-2x8					
B-3x3	24B05010303	Bind Screw B-3x3					
B-3x4	24B05040304	Bind Screw B-3x4					
B-4x5	24B05040405	Bind Screw B-4x5					
B-4x12	24A10510412	Bind Screw B-4x12	with Tapping				
B-4x35	24B05040435	Bind Screw B-4x35					
T-2x6	24A17010206	Tap Tight Screw T-2x6					
T-3x8	24A17010308	Tap Tight Screw T-3x8					
T-4x6	24A17010406	Tap Tight Screw T-4x6					
T-4x8	24A17040408	Tap Tight Screw T-4x8					
P-3x8	24A10040308	Pan Head Screw P-3x8					
P-4x8	24A10040408	Pan Head Screw P-4x8					
PT-2x6	X0610206133	Pan Head Tap Tight Screw PT-2x6	Added:4/2000				
PT-2.6x12	X0612F12133	Pan Head Tap Tight Screw PT-2.6x12	Added:4/2000				
PT-3x10	X0610310133	Pan Head Tap Tight Screw PT-3x10	Added:4/2000				
D-3x8	24B01010308	Dish Head Screw D-3x8					
E-3	24A64050030	E-Ring E-3					
E-4	24A64050040	E-Ring E-4					
E-5	24A64050050	E-Ring E-5					
E-10	24A64050100	E-Ring E-10					

\*1: Q'ty/Unit \*2: Recommended Parts \*3: Revised Record \*4: New Parts

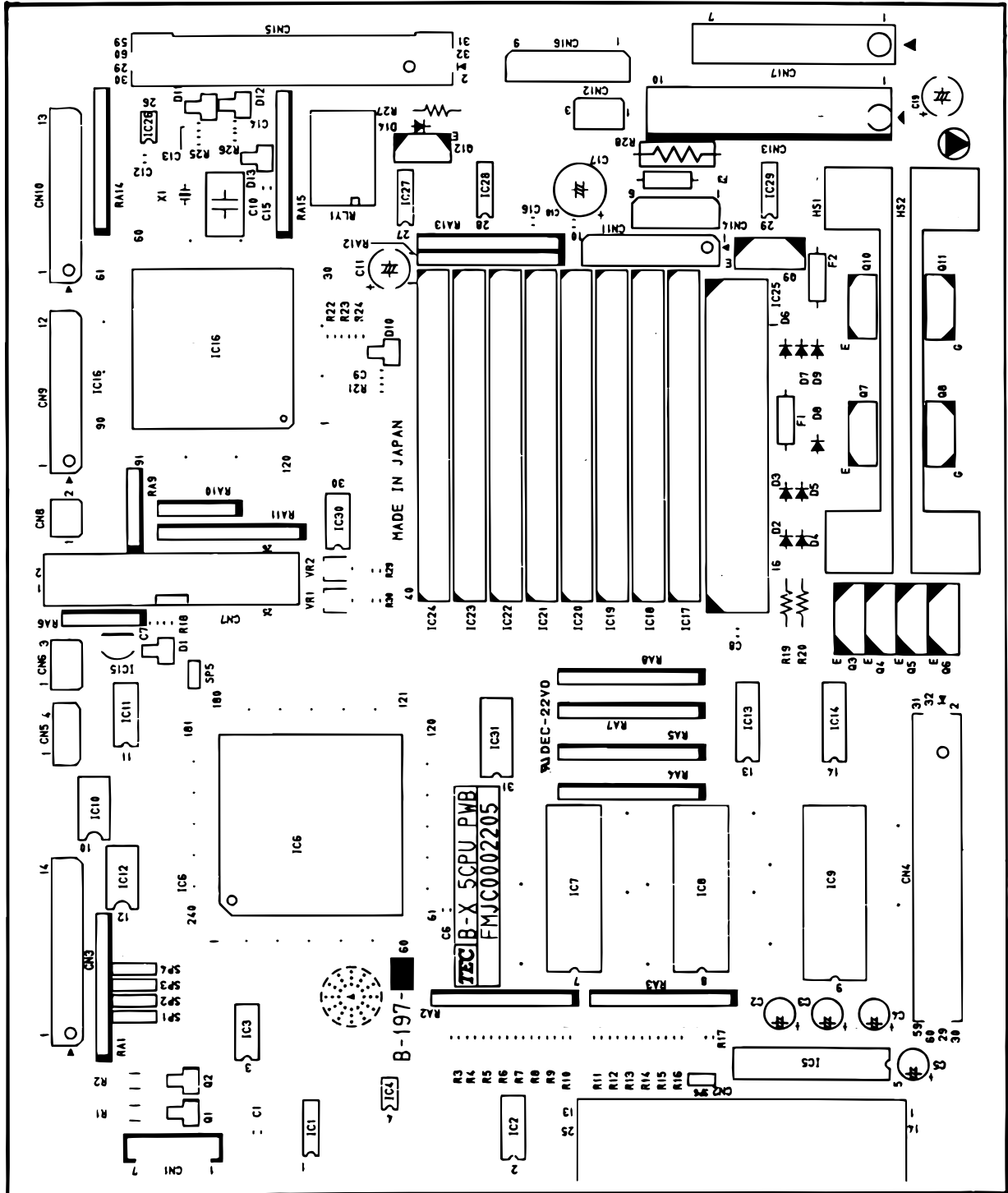
8

## MISCELLANEOUS PARTS 2/2

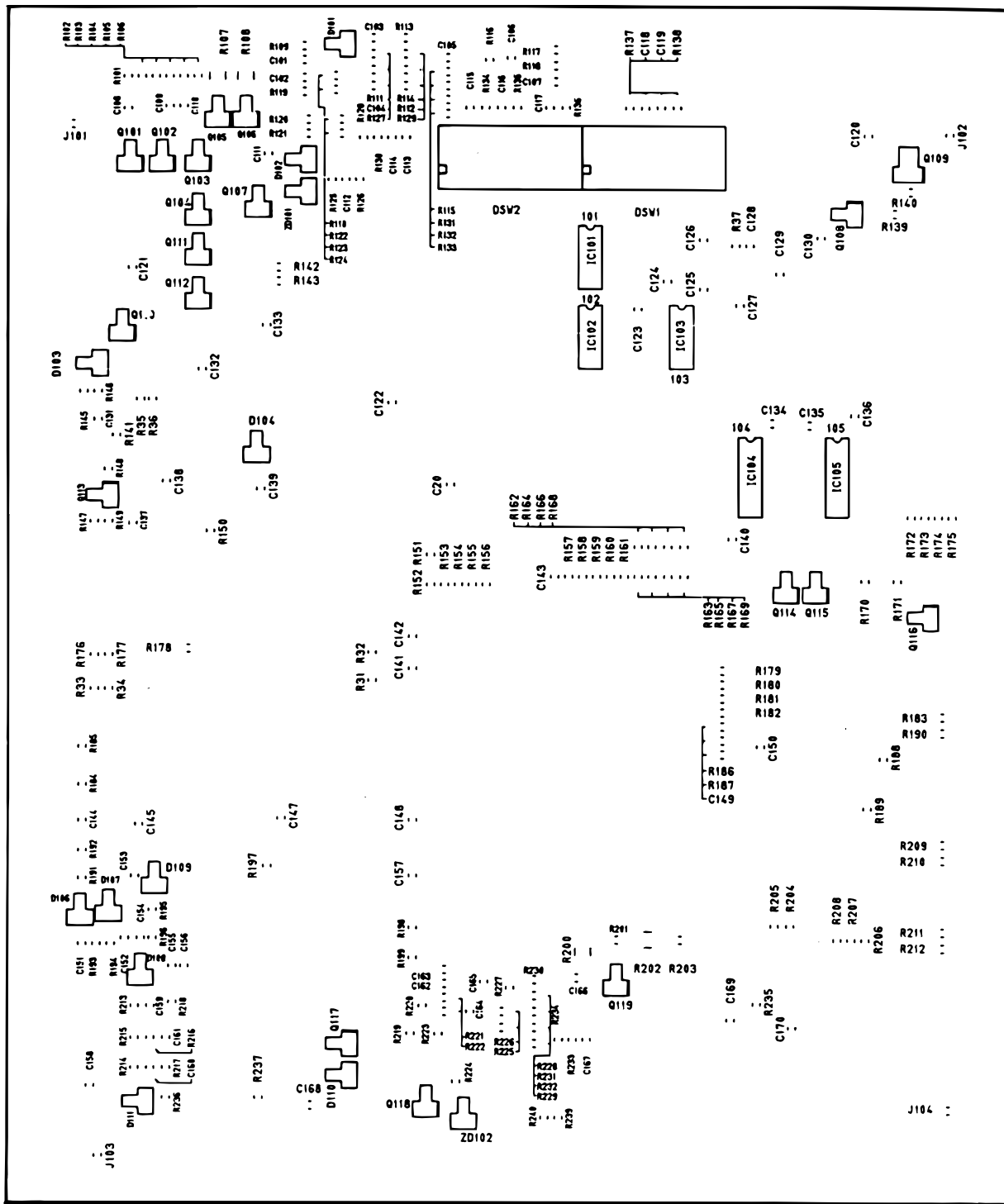
Ref.No.	Part No.	Description	Remarks	*1	*2	*3	*4
W-2	X7170200130	Washer W-2	Added:4/2000				
W-4	24A62101040	Washer W-4					
W-5	24A62101050	Washer W-5					
W-6	24A62101060	Washer W-6	t=0.8				
	24A62001060	Washer W-6	t=1.0				
W-8	24A62101080	Washer W-8	t=0.8				
	<del>24A62001080</del>	Washer W-8	t=1.6				
	X7170800130		Changed:7/2000				
SW-4	24A60001040	Spring Washer SW-4	Corrected:5/'02				
SW-6	24A60001060	Spring Washer SW-6					
N-4	24A40010400	Nut N-4					
N-6	24A40010600	Nut N-6					
N-8	X5110800130	Nut N-8	Added:7/2000				

\*1: Q'ty/Unit \*2: Recommended Parts \*3: Revised Record \*4: New Parts

**1 CPU PC BOARD ASS'Y (Serial No. : 0Dxxxxxx or earlier) 1/2**



# CPU PC BOARD ASS'Y (Serial No. : 0Dxxxxxx or earlier) 2/2





1

## CPU PC BOARD ASS'Y (Serial No. : 0Dxxxxxx or earlier) 1/6

Ref.No.	Part No.	Description	Remarks	*1	*2	*3	*4
	FMBC0036302	CPU PC Board Ass'y (Service No. B-197-22) (Service No. B-197-32)	Changed:10/'97	1	E		
IC1,29	CAG-0578001	Op Amp LM324NS		2	E		
	CAG-0339001	Op Amp LM324NS					
IC2,11	CAN-005102E	CMOS IC BU4051BF		2	E		
IC3	CAG-0439001	Linear IC M62354FP		1	E		
IC4,26	CAG-0185001	Comparetor IC BA10393F-T1		2	E		
IC5	CAH-0055001	CMOS IC MC145407P		1	E		
	EAB-0076001	IC Socket 2-641264-3		1			
IC6	CAJ-0294001	Gate Array EC-M100		1	E		
IC7,8	CAD-0286001	Flash ROM M5M28F102AFP-10	IC7:Added 10/'97	±	E		
				2	E		
IC9	CAE-0097001	Mask ROM EC-M119		1	E		
IC10	CAG-0147001	Linear IC TC35098P		1	E		
IC12	CAD-0149002	EEP-ROM ST93C46AB1		1	E		
	CAD-0149003	EEP-ROM ST93C46CB1/6					
	CAD-0288001	EEP-ROM M93C46-BN6					
	EAA-2390001	IC Socket 2-641260-3		1			
IC13,14,104, 105	CAM-024508A	CMOS IC TC74AC245F TP2		4	E		
IC15	CAG-0524001	Reset IC PST600D		1	E		
IC16	CAA-0249001	CPU UPD70236AGD-16-5BB		1	E		
IC17	CAC-0293001	D-RAM HM514260AZ-7		1	E		
IC18~20	EAA-2389001	IC Socket 90510-0140		3			
IC25	CAK-0056001	HIC STK6712AMK4		1	E		
IC27,28	CAG-0438001	Linear IC UPC844G2		2	E		
IC30	CAM-000408A	Linear IC TC74AC04F TP1		1	E		
IC31	CAJ-0343001	Gate Array EC-M118A		1	E		
	CO-08200000	Gate Array EC-M263	Added:11/'03				
		GAL16V8D-25LS					
IC101-103	CAM-015708A	CMOS IC TC74AC157F		3	E		
Q1,2,113	24220200320	Chip XISTOR. 2SC1621-T1B		3			
Q3,4	CBA-0327001	PNP XISTOR. 2SB1268		2			
Q5,6,9	CBA-0186001	NPN XISTOR. 2SD1904RS		3			
Q7,10	CBA-0326001	NPN XISTOR. 2SD1838		2			
	FMEB0087201	Heat Sink A		2			
	FMEB0087301	Heat Sink B		1			
	FMEB0087401	Heat Sink C		1			
	24BP0010306	Sems Screw SM-3x6C		4			
	24BB0010325	Sems Screw SM-3x25		2			

\*1: Q'ty/Unit \*2: Recommended Parts \*3: Revised Record \*4: New Parts

1

## CPU PC BOARD ASS'Y (Serial No. : 0Dxxxxxx or earlier) 2/6

Ref.No.	Part No.	Description	Remarks	*1	*2	*3	*4
Q8,11	CBA-0332001	FET XISTOR. 2SJ295		2			
	CBQ-0126001	FET XISTOR. 2SJ376					
Q12	2422SD01802	Chip XISTOR. 2SD1802		1			
Q101,103, 105,106,108, 110,111, 114~119	24220200310	Chip XISTOR. FA1A4M-T1B		13			
Q102,104, 107,112	24220100050	Chip XISTOR. FN1A4M-T1B		4			
Q109	24220100060	PNP XISTOR. 2SB1115-T1		1			
		<b>&lt;Chip RSTR.&gt;</b>					
R1,2	DBK-151JA1A	MCR50JZHJ151 150Ω		2			
R3,6,9,12, 15,116,131	DBK-222FA4A	MCR10EZHF2201 2.2KΩ		7			
R4,7,10,13, 16,117,133	DBK-102FA4J	CRG10GF102T 1KΩ		7			
R5,8,11,14, 17,132	DBK-392FA4J	CRG10GF392T 3.9KΩ		6			
R18,21,25, 26,146,151~ 169,178,193~ 196,237	DBK-470JA4J	CRG10GJ470T 47Ω		30			
R22~24,35, 36,102,103, 106,113,120, 141,150,170, 171,173,174, 179,191,197, 199,204,209, 220,225,229, 234,239	DBK-103JA4J	CRG10GJ103T 10KΩ		27			
R30,32,33, 222,J104	DBK-000JA4A	MCR10EZHJ000 0Ω		5			
R34,226	DBK-432JA4J	CRG10GJ432T 4.3KΩ		2			
R37,101,104, 105,109,112, 140,149,177, 192,227,240	DBK-102JA4J	CRG10GJ102T 1KΩ		12			
R107	DBK-111JA2J	CRG4GJ111T 110Ω		1			

\*1: Q'ty/Unit \*2: Recommended Parts \*3: Revised Record \*4: New Parts

1

## CPU PC BOARD ASS'Y (Serial No. : 0Dxxxxxx or earlier) 3/6

Ref.No.	Part No.	Description	Remarks	*1	*2	*3	*4
		<Chip RSTR.>					
R108,200,202	DBK-221JA2J	CRG4GJ221T 220Ω		3			
R110	DBK-113FA4A	MCR10EZHUHF1102 11KΩ		1			
R111,119	DBK-104JA4J	CRG10GJ104T 100KΩ		2			
R114	DBK-362JA4J	CRG10GJ362T 3.6KΩ		1			
R115,118, 134~138	DBK-681FA4J	CRG10GF681T 680Ω		7			
R121	DBK-222JA4J	CRG10GJ222T 2.2KΩ		1			
R122	DBK-153FA4A	MCR10EZHF1502 15KΩ		1			
R123	DBK-163JA4J	CRG10GJ163T 16KΩ		1			
R124	DBK-223JA4J	CRG10GJ223T 22KΩ		1			
R125,130	DBK-563FA4J	CRG10GF563T 56KΩ		2			
R126,128	DBK-103FA4J	CRG10GF103T 10KΩ		2			
R127	DBK-564JA4J	CRG10GJ564T 560KΩ		1			
R129	DBK-334JA4J	CRG10GJ334T 330KΩ		1			
R139,181,216	DBK-682JA4J	CRG10GJ682T 6.8KΩ		3			
R142,143	DBK-200JA4J	CRG10GJ200T 20Ω		2			
R145, 212~215,228	DBK-472JA4J	CRG10GJ472T 4.7KΩ		6			
R147,223	DBK-560JA4J	CRG10GJ560T 56Ω		2			
R148,230	DBK-332JA4J	CRG10GJ332T 3.3KΩ		2			
R172,175	DBK-471JA4J	CRG10GJ471T 470Ω		2			
R176	DBK-152JA4J	CRG10GJ152T 1.5KΩ		1			
R180,183	DBK-822JA4J	CRG10GJ822T 8.2KΩ		2			
R182	DBK-512JA4J	CRG10GJ512T 5.1KΩ		1			
R184	DBK-203JA4A	MCR10EZHUJ203 20KΩ		1			
R186	DBK-303JA4J	CRG10GJ303T 30KΩ		1			
R187	DBK-391JA4J	CRG10GJ391T 390Ω		1			
R188,206	DBK-683JA4J	CRG10GJ683 68KΩ		2			
R189,208	DBK-221JA4J	CRG10GJ221T 220Ω		2			
R219,224	DBK-101JA4J	CRG10GJ101T 100Ω		2			
R190,210	DBK-100JA4J	CRG10GJ100T 10Ω		2			
R185,198	DBK-273JA4A	MCR10EZHUJ273 27KΩ		2			
R201,203	DBK-912JA4A	MCR10EZHUJ912 9.1KΩ		2			
R207,231,235	DBK-153JA4J	CRG10G153T 15KΩ		3			
R211	DBK-333JA4J	CRG10GJ333T 33KΩ		1			
R217	DBK-563JA4J	CRG10GJ563T 56KΩ		1			

\*1: Q'ty/Unit \*2: Recommended Parts \*3: Revised Record \*4: New Parts

1	<b>CPU PC BOARD ASS'Y (Serial No. : 0Dxxxxxx or earlier) 4/6</b>
---	--

Ref.No.	Part No.	Description	Remarks	*1	*2	*3	*4
		<b>&lt;Chip RSTR.&gt;</b>					
R218	DBK-330JA4J	CRG10GJ330T 33Ω		1			
R221	DBK-151JA4J	CRG10GJ151T 150Ω		1			
R232,233	DBK-154JA4J	CRG10GJ154T 150KΩ		2			
R236	DBK-224JA4J	CRG10GJ224T 220KΩ		1			
R19,20	DBC-222JA5F	MOF RSTR. RSS1/2PJ 2.2KΩ		2			
R27	DBC-272JA5F	MOF RSTR. RSS1/2T52J 2.7KΩ		1			
R28	DBC-102JA3G	MOF RSTR. RSM2FB 1KΩ		1			
RA1~5,7,8, 11~15	DBP-0047005	RSTR. Array EXB-F9E103J 10KΩ		12			
RA6,9,10	DBP-0047004	RSTR. Array EXBF5E103J 10KΩ		3			
VR2	DBG-0196001	Chip V.RSTR. RVG4H01-102VM-TC 1KΩ		1	E		
ZD101	CBG-0222001	Z.Diode 02CZ4.7Y		1			
ZD102	CBG-0361001	Z.Diode 02CZ4.3X		1			
D2~9	2421BAM01Z0	Diode AM01Z		8			
D14	24210000060	Diode ERA1501		1			
D101,102	CBN-0022001	Chip Diode HSM107STL		2			
D110,112	CBE-0100001	Chip Diode 1SS187 TE85L		2			
		<b>&lt;Ceramic CAP.&gt;</b>					
C1,6,8,12, 16,18,20,106, 111,113, 120~127,129, 130,132~138, 140~143,145, 147~149,157, 158,163~166, 168	DAB-103MK10	GRM40B103K50PT 0.01μF		42			
C101,104, 105,107~110, 112,114~119, 128,144,159, 161,162,167	DAB-104MZ11	GRM40F104Z50PT 0.1μF		20			

\*1: Q'ty/Unit \*2: Recommended Parts \*3: Revised Record \*4: New Parts

1

## CPU PC BOARD ASS'Y (Serial No. : 0Dxxxxxx or earlier) 5/6

Ref.No.	Part No.	Description	Remarks	*1	*2	*3	*4
C102,103	DAB-102MK05	<Ceramic CAP.> GRM40B102K50PT 1000pF		2			
C150	DAB-101MJ17	GRM40CH101J50PT 100pF		1			
C155	DAB-050MK02	GRM40CH050D50PT 5pF		1			
C169,170	DAB-391MJ12	Ceramic CAP. GRM40CH391J50PT 390pF		2			
C2~5	DAA-100HM16	<Electrolytic CAP.> CESEM1E100 10μF		4			
C11	DAA-100FM18	CESEM1C100 10μF		1			
C17	DAA-101KM25	CESEM1V101 100μF		1			
C19	DAA-221CM17	CESEM1A221 220μF		1			
C10	DAC-334MK02	Film CAP. DTDB1H334K 0.33μF		1			
C160	DAB-561MK06	Chip CAP. GRM40CH561K50PT 560pF		1			
CN1	EAA-2187001	CONN. B7B-PH-K-S		1			
CN2	EAA-0361018	CONN. 17LE-13250-27 (D4AK) millimeter screw type		1			
	FMEB0085201	Sealed Plate RS-232C		1			
CN3	EAA-2387001	CONN. 53014-1412		1			
CN4	EAA-2306001	CONN. 52326-0601		1			
CN5	24420201530	CONN. 53014-0410		1			
CN6	EAA-2303001	CONN. 53014-0311		1			
CN7	EAA-0011001	CONN. 5332-26T2		1			
CN8	24420201430	CONN. 53014-0210		1			
CN9	EAA-2388001	CONN. 53014-1213		1			
CN10	EAA-2302001	CONN. 53014-1310		1			
CN11	EAA-2386001	CONN. 53014-1012		1			
CN14	24420201540	CONN. 53014-0610		1			
CN15	EAA-2394001	CONN. 8801-060-170S		1			
CN16	EAA-0520001	CONN. 53014-0910		1			
CN17	24421080295	CONN. 5275-07A		1			
DSW1,2	EBC-0065001	DIP Switch KS08		2			

\*1: Q'ty/Unit \*2: Recommended Parts \*3: Revised Record \*4: New Parts

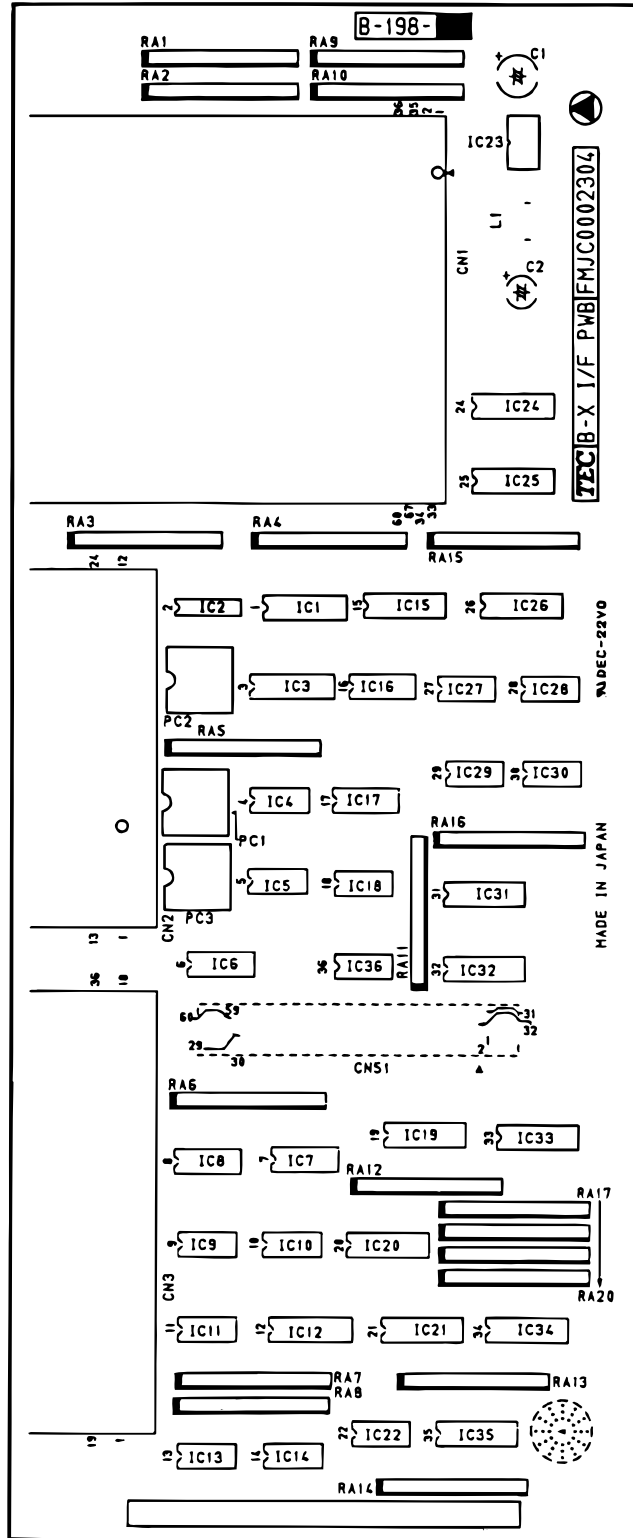
1

**CPU PC BOARD ASS'Y (Serial No. : 0Dxxxxxx or earlier) 6/6**

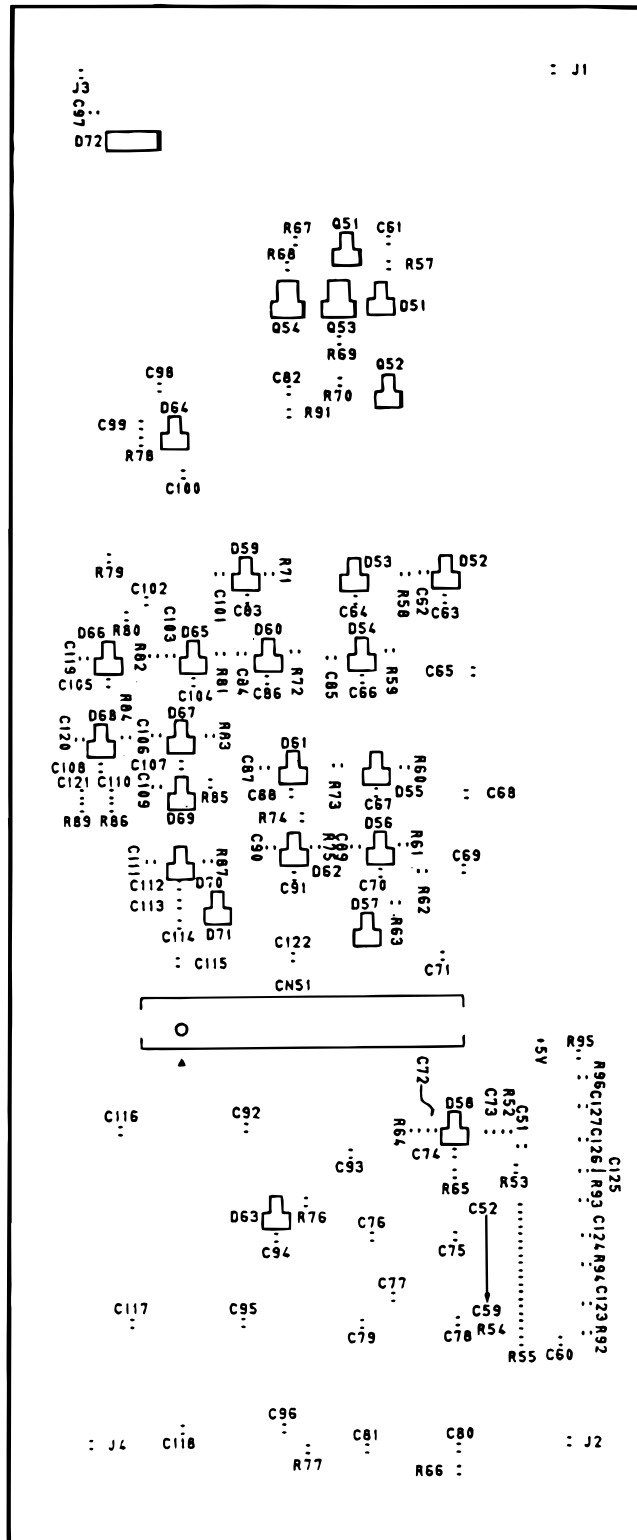
Ref.No.	Part No.	Description	Remarks	*1	*2	*3	*4
F1~3	EHA-0201001	Fuse CCV-2AF12.5 2A		3	D		
RLY1	ELA-0026001	Relay A-5W-K		1			
X1	DCD-0267001	Crystal CSA32.00MXZ040 32MHz		1	E		
SP6	24420130479	Jumper CONN. PS-40PF-D4T1-PKL1		1			
	HBMB0012901	PCB No. Label	Attached to Heat Sink A				

\*1: Q'ty/Unit \*2: Recommended Parts \*3: Revised Record \*4: New Parts

2 I/F PC BOARD ASS'Y 1/2



2 I/F PC BOARD ASS'Y 2/2





## 2 I/F PC BOARD ASS'Y 1/4

Ref.No.	Part No.	Description	Remarks	*1	*2	*3	*4
	-----	I/F PC Board Ass'y (Service No. B-198-02)		1	E		
IC1,21,32	2420SAL244S	TTL IC SN74ALS244NS		3	E		
IC2	<del>CBB-0022001</del>	<del>XISTOR. Array TD62004F</del>		1	E		
	C0-01434001	XISTOR. Array TD62004F(TP1)	Changed:9/'05				
	C0-11201001	XISTOR.Array TD62004AFG(S EL)	Changed:9/'05				
IC3,26	<del>CAM-057302A</del>	<del>CMOS IC TC74HC573AF</del>		2	E		
	C0-08495001	CMOS IC TC74HC573AF(EL F)	Changed:9/'05				R
IC4,5,29,30	<del>CAM-003208A</del>	<del>CMOS IC TC74AC32F TP1</del>		4	E		
	C0-08353001	CMOS IC TC74AC32F(EL F)	Changed:9/'05				R
IC6,7	<del>CAM-017402A</del>	<del>CMOS IC TC74HC174AF TP1</del>		2	E		
	C0-08434001	CMOS IC TC74HC174AF(EL F)	Chnaged:9/'05				R
IC8	<del>CAM-012302A</del>	<del>CMOS IC TC74HC123AF TP1</del>		1	E		
	C0-08402001	CMOS IC TC74HC123AF(EL F)	Changed:9/'05				R
IC9	<del>CAF-000606F</del>	<del>TTL IC SN7406NS-SR05</del>		1	E		
	C0-11290001		Changed:9/'05				R
IC10	<del>CAM-000402A</del>	<del>CMOS IC TC74HC04AF TP1</del>		1	E		
	C0-08387001	CMOS IC TC74HC04AF(EL F)	Changed:9/'05				R
IC11	<del>CAM-012502G</del>	<del>CMOS IC MC74HC125F</del>		1	E		
	C0-03487001	CMOS IC MC74HC125AFEL	Changed:9/'05				R
IC12,19	<del>CAM-024508A</del>	<del>CMOS IC TC74AC245F TP2</del>		2	E		
	C0-08351001	CMOS IC TC74AC245F(EL F)	Changed:9/'05				R
IC13,18,28	<del>CAB-0029001</del>	<del>CMOS IC TC74HC74AF TP1</del>		3	E		
	C0-08505001	CMOS IC TC74HC74AF(EL F)	Changed:9/'05				R
IC14,22	<del>CAF-001407F</del>	<del>TTL IC SN74LS14NS-SR05</del>		2	E		
	C0-11544001	TTL IC SN74LS14NSR	Changed:9/'05				R
IC15,24	<del>CAF-024508F</del>	<del>TTL IC SN74ALS245ANS</del>		2	E		
	C0-11364001	TTL IC SN74ALS245ANSR	Changed:9/'05				R
IC16,17	<del>CAM-013808A</del>	<del>CMOS IC TC74AC138F TP1</del>		2	E		
	C0-08343001	CMOS IC TC74AC138F(EL F)	Changed:9/'05				R
IC20,31,33, 2434	<del>CAM-024408A</del>	<del>CMOS IC TC74AC244F</del>		4	E		
	C0-08350001	CMOS IC TC74AC244F(EL F)	Changed:9/'05				R
IC23	<del>CAG-0541001</del>	<del>DC-DC Converter</del>		1	E		
		<del>LT1109ACS8-12</del>					
	C0-11846000	LT1109ACS8-12#PBF	Changed:9/'05				
IC25	<del>CAF-057408F</del>	<del>TTL IC SN74ALS574BNS</del>		1	E		
	C0-11385001	SN74ALS574BNSR	Changed:9/'05				R
IC27	<del>CAM-000808A</del>	<del>CMOS IC TC74AC08F TP1</del>		1	E		
	C0-08340001	CMOS IC TC74AC08F(EL F)	Changed:9/'05				R
IC35	<del>CAM-056402G</del>	<del>CMOS IC MC74HC564F</del>		1	E		
	<del>CAM-056402A</del>	<del>CMOS IC TC74HC564AF</del>	Added:9/'99				
	C0-08494001	CMOS IC TC74HC564AF(EL F)	Changed:9/'05				R
IC36	<del>CAM-008608A</del>	<del>CMOS IC TC74AC86F</del>		1	E		
	C0-08359001	CMOS IC TC74AC86F(EL F)	Changed:9/'05				R

\*1: Q'ty/Unit \*2: Recommended Parts \*3: Revised Record \*4: RoHS

<b>2</b>	<b>I/F PC BOARD ASS'Y 2/4</b>
----------	-------------------------------

Ref.No.	Part No.	Description	Remarks	*1	*2	*3	*4
PC1~3	24440400200	Photo Coupler TLP521-2		3			
Q51,52	<del>24220200310</del> CBC-0040002	<del>Chip XISTOR. FA1A4M-T1B</del> <del>Chip XISTOR. KRC102S-RTK</del>		2			
	C0-07391001	Chip XISTOR. FA1A4M-T1B-A	Changed:9/'05				R
	C0-11088001	Chip XISTOR. KRC102S-RTK/P	Changed:9/'05				R
Q53,54	<del>24220100060</del> C0-07376001	<del>PNP XISTOR. 2SB1115-T1</del> PNPXISTOR. 2SB1115-T1-AZ		2			
		<i>&lt;Chip RSTR.&gt;</i>					
R52,67	<del>DBK-682JA4J</del> D0-14866001	<del>CRG10GJ682T-6.8K-</del> RK73B2ATTD682J 6.8K ohm		2			
	DBK-682JA4S	RGC210J682	Changed:9/'05				R
R53,54,68, 69,91~96	<del>DBK-102JA4J</del> DBK-102JA4S	<del>CRG10GJ102T-1K</del> RGC210J102		10			
	D0-14810001	RK73B2ATTD102J 1K ohm	Changed:9/'05				R
	D0-02687001	RGC210TRJ102 1K ohm	Changed:9/'05				R
R55	<del>DBK-101JA4J</del> D0-14816001	<del>CRG10GJ101T-100-</del> RK73B2ATTD101J 100 ohm		1			
	DBK-101JA4S	RGC210J000	Changed:9/'05				R
R57,60,62, 63,73,75, 79,80,82,84, 85,87,J2	<del>DBK-000JA4J</del> D0-19898001	<del>MCR10EZHJ000-0-</del> MCR10EZHJ000 0 ohm		13			
	DBK-000JA4S	RGC210J000	Changed:9/'05				R
R58,59,71, 72,83,86,89	<del>DBK-470JA4J</del> D0-14857001	<del>CRG10GJ470T-47-</del> RK73B2ATTD470J 47 ohm		7			
	DBK-470JA4S	RGC210J470	Changed:9/'05				R
R61,76,78	DBK-200JA4J	CRG10GJ200T 20		3			
	DBK-200JA4S	RGC210J200					
R65,66,74,77	<del>DBK-103JA4J</del> DBK-103JA4S	<del>CRG10GJ103T-10K-</del> RGC210J103		4			
	D0-14818001	RK73B2ATTD103J 10K ohm	Changed:9/'05				R
	D0-02688001	RGC210TRJ103 10K ohm	Changed:9/'05				R
R70	<del>DBK-332JA4J</del> DBK-332JA4S	<del>CRG10GJ332T-3.3K</del> RGC210J332		1			
	D0-14845001	RK73B2ATTD332J 3.3K ohm	Changed:9/'05				R
	D0-02722001	RGC210TRJ332 3.3K ohm	Changed:9/'05				R
R81	<del>DBK-220JA4J</del> D0-14837001	<del>CRG10GJ220T-22-</del> RK73B2ATTD220J 22 ohm		1			
	DBK-220JA4S	RGC210J220	Changed:9/'05				R

\*1: Q'ty/Unit \*2: Recommended Parts \*3: Revised Record \*4: RoHS

## 2 I/F PC BOARD ASS'Y 3/4

Ref.No.	Part No.	Description	Remarks	*1	*2	*3	*4
RA1~4,6,9, 10,13~16,18,	2425240008J	RSTR. Array EXB-F9E103J 10K ohm		13 20			
RA5	DBP-0290001 DBP-0013001	RSTR. Array 9-1-103J RSTR. Array EXB-F9E471J 470 ohm		1			
RA7,11,12, 17,19	DBP-0291002 2425240030J	RSTR. Array 9-1-471J RSTR. Array EXB-F9E104J 100K		5			
RA8	DBP-0291001 DBP-0002003 DBP-0291003	RSTR. Array 9-1-104J RSTR. Array EXB-F9E102J 1K RSTR. Array 9-1-102J		1			
D72	<del>CBE-0231001</del> C0-02241001	Chip Diode SB11-04HP-TR Chip Diode SB11-04HP-TR	Changed:9/'05	1			
C1	<del>DAA-470FM28</del>	<Electrolytic CAP.> Electrolytic CAP. 16SA47M 47 $\mu$ F		1			
C2	D0-23543000 <del>DAA-220FM19</del>	16SA47M 47 $\mu$ F Electrolytic CAP. 16SA22M 22 $\mu$ F	Changed:9/'05	1			R
	D0-07366000	16SA22M 22 $\mu$ F	Changed:9/'05				
C51~60, 123~127	<del>DAB-101MJ17</del>	<Ceramic CAP.> Ceramic CAP. GRM40CH101J50PT 100pF		15			
	<del>DAB-101MJ35</del> D0-05691001	Ceramic CAP. C2012CH1H101J GRM2162C1H101JA01D 100pF	Changed:9/'05				R
	D0-04991001	C2012CH1H101JT 100pF	Changed:9/'05				R
C63~71,74, 76,78~81,83, 86,88,91~98, 100,102,104, 105,107,108, 112,115~118, 122	<del>DAB-103MK10</del>	Ceramic CAP. GRM40B103K50PT 0.01 $\mu$ F		39			
	<del>DAB-103MK24</del> D0-05661001	Ceramic CAP. C2012JB1H103K GRM216B11H103KA01D 0.01 $\mu$ F	Changed:9/'05				R
	D0-05007001	C2012JB1H103KT 0.01 $\mu$ F	Changed:9/'05				R
C73	<del>DAB-102MK05</del>	Ceramic CAP. GRM40B102K50PT 1000pF		1			
	<del>DAB-102MK37</del> D0-05660001	Ceramic CAP. C2012JB1H102K GRM219F11H104ZA01D	Changed:9/'05				R
	D0-05006001	C2012JB1H102KT	Changed:9/'05				R
C82	<del>DAB-104MZ11</del>	Ceramic CAP. GRM40F104Z50PT 0.1 $\mu$ F		1			
	<del>DAB-104MZ33</del> D0-05722001	Ceramic CAP. C2012JF1H104Z GRM219F11H104ZA01D 0.1 $\mu$ F	Changed:9/'05				R
	D0-05010001	C2012JF1H104ZT 0.1 $\mu$ F	Changed:9/'05				R

\*1: Q'ty/Unit \*2: Recommended Parts \*3: Revised Record \*4: RoHS

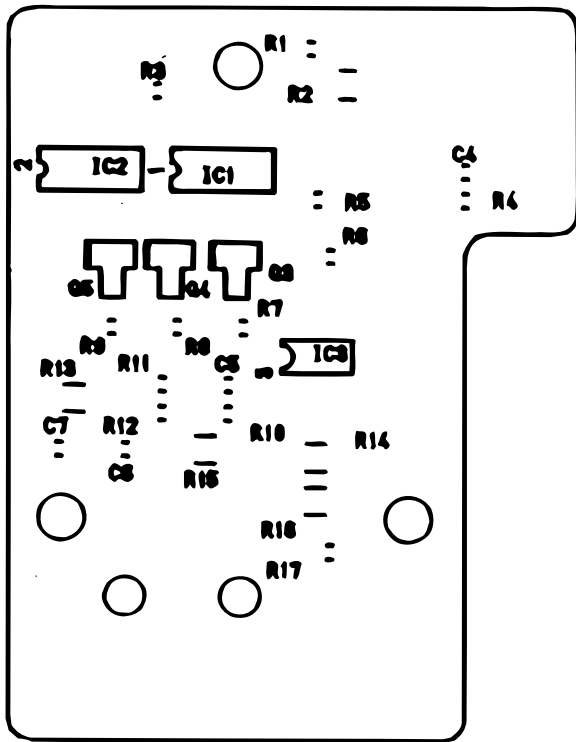
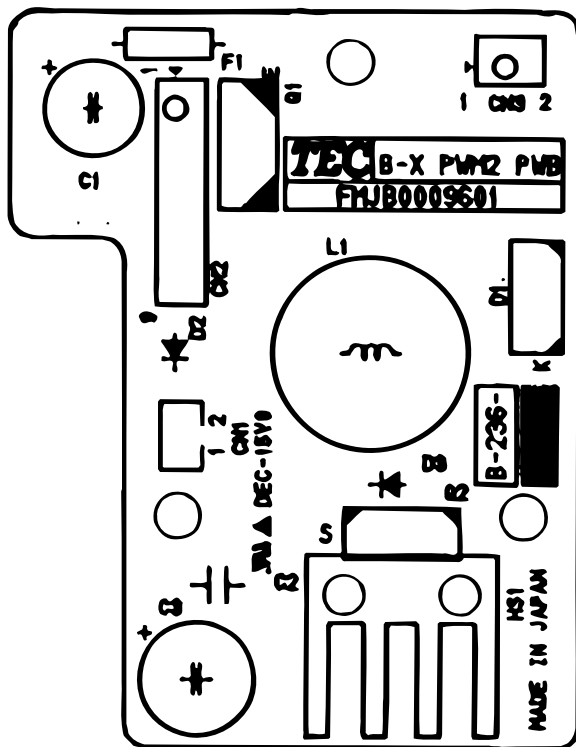
2

## I/F PC BOARD ASS'Y 4/4

Ref.No.	Part No.	Description	Remarks	*1	*2	*3	*4
L1	<del>DDH-0087001</del> D0-07378001	Coil CD54-270MC 27 $\mu$ F	Changed:9/'05	1			
CN1	<del>EAA-2310001</del>	<del>CONN. CLE9068-1801</del>	Changed:9/'05	1			
	E0-05875000	CONN. CLE9068-1801R					
	<del>24B90010208</del>	Sems Screw SM-2x8	Changed:9/'05	2			
	X0-00020000		Changed:9/'05	2			
CN2	<del>24A40010200</del>	Nut N-1	Changed:9/'05	2			
	X0-00840000		Changed:9/'05	1			
CN3	<del>EAA-2304001</del>	<del>CONN. 57RE-40240-730B</del>	Changed:9/'05	1			
	E0-08179000	CONN. 57RE-40240-730B(D29A)-FA	Changed:9/'05	1			
CN51	FMEC0036101	Shield Plate		1			
	<del>EAA-2181001</del>	<del>CONN. 57RE-40360-730B</del>	Changed:9/'05	1			
CN51	E0-08181000	CONN. 57RE-40360-730B(D29A)-FA	Changed:9/'05	1			
	<del>EAA-2307001</del>	CONN. 52411-0601	Changed:9/'05	1			
	E0-00660000		Changed:9/'05	1			
	HBMB0012901	PCB No. Label (Attached to CN1)		1			R

\*1: Q'ty/Unit \*2: Recommended Parts \*3: Revised Record \*4: RoHS

3 PWM2 PC BOARD ASS'Y



<b>3</b>	<b>PWM2 PC BOARD ASS'Y 1/3</b>
----------	--------------------------------

Ref.No.	Part No.	Description	Remarks	*1	*2	*3	*4
	FMBC0047102	PWM2 PC Board Ass'y (Service No. B-236-02)		1	E	A2	
IC1	<del>CAM-000802A</del> C0-08392001	<del>CMOS IC TC74HC08AF</del> CMOS IC TC74HC08AF(EL F)	Changed:9/'05	1	E		R
IC2	<del>CAM-000402A</del> C0-08387001	<del>CMOS IC TC74HC04AF</del> CMOS IC TC74HC04AF(EL F)	Changed:9/'05	1	E		R
IC3	<del>CAG-0618002</del> C0-02951001	<del>Linear IC TC74HC04AF</del> Linear IC TL5001CPSR	Changed:9/'05	1	E		
Q1	CBA-0186001 C0-10851000	NPN XISTOR. 2SD1904RS NPN XISTOR. 2SD1904R/S-E	Changed:9/'05	1			R
Q2	CBQ-0105001 C0-10854000	FET XISTOR. 2SJ263	Changed:9/'05	1			R
Q3,4	<del>Z4220200310</del> C0-07391001 <del>CBC-0040002</del> C0-11088001	<del>Chip XISTOR. FA1A4M-T1B</del> Chip XISTOR. FA1A4M-T1B-A <del>Chip XISTOR. KRC102S-RTK</del> Chip XISTOR. KRC102S-RTK/P	Changed:9/'05 Changed:9/'05 Changed:9/'05	2			R
R1,3	<del>DBK-103JA4J</del> D0-14818001 <del>DBK-103JA4S</del> D0-02688001	<del>CRG10GJ103F 10K ohm</del> RK73B2ATTD103J <del>RGC210J103</del> RGC210TRJ103	Changed:9/'05 Changed:9/'05	2			R
R2	<del>DBK-271JA2J</del> D0-20203001 <del>DBK-271JA2A</del> D0-14896001	<del>CRG4GJ271F 270 ohm</del> MCR25JZHJ271 <del>MCR25JZHUJ271</del> RK73B2ETTD271J	Changed:9/'05 Changed:9/'05 Changed:9/'05	1			R
R4	<del>DBK-334JA4J</del> D0-14849001 <del>DBK-334JA4S</del>	<del>CRG10GJ334F 330K ohm</del> RK73B2ATTD334J <del>RGC210J334</del> RGC210TRJ334	Changed:9/'05 Changed:9/'05 Changed:9/'05	1			R
R5	<del>DBK-184JA4J</del> D0-14832001 <del>DBK-184JA4S</del>	<del>CRG10GJ184F 180 ohm</del> RK73B2ATTD184J <del>RGC210J184</del> RGC210TRJ184	Changed:9/'05 Changed:9/'05 Changed:9/'05	1			R
R6	<del>DBK-123JA4J</del> D0-14825001 <del>DBK-123JA4S</del>	<del>CRG10GJ123F 12K ohm</del> RK73B2ATTD123J <del>RGC210J123</del> RGC210TRJ123	Changed:9/'05 Changed:9/'05 Changed:9/'05	1			R
R7	<del>DBK-821FA4A</del> D0-19879001 <del>DBK-821FA4S</del>	<del>MCR10PZHF8200 820 ohm</del> MCR10EZHF8200 <del>RGC210F821</del> RGC210TRF8200	Changed:9/'05 Changed:9/'05 Changed:9/'05	1			R
R8,9	<del>DBK-432FA4J</del> D0-14680001 <del>DBK-432FA4S</del>	<del>CRG10GF432 4.3K ohm</del> RK73H2ATTD4301F <del>RGC210F432</del> RGC210TRF4301	Changed:9/'05 Changed:9/'05 Changed:9/'05	2			R

\*1: Q'ty/Unit \*2: Recommended Parts \*3: Revised Record \*4: RoHS

<b>3</b>	<b>PWM2 PC BOARD ASS'Y 2/3</b>
----------	--------------------------------

Ref.No.	Part No.	Description	Remarks	*1	*2	*3	*4
R10	<del>DBK-224JA4J</del> D0-14839001 DBK-224JA4S	<del>CRG10GJ224F</del> 220K ohm RK73B2ATTD224J <del>RGC210J224</del> RGC210TRJ224	Changed:9/'05	1			R
R11	<del>DBK-222JA4J</del> DBK-222JA4S	<del>CRG10GJ222F</del> 2.2K ohm RGC210J222	Changed:9/'05	1			
R12	<del>DBK-911FA4A</del> <del>DBK-911FA4S</del>	<del>MCR10EZHUF9100</del> 910- <del>RGC210F911</del>	Deleted:9/'05	±			
R14	<del>DBK-681JA1A</del> D0-20350001	<del>MCR50PZHJ681</del> 680 ohm MCR50JZHJ681	Changed:9/'05	1			R
R16	<del>DBK-102JA1J</del> D0-14927001 <del>DBZ-0035001</del> D0-20297001	<del>CRG2GJ102F</del> 1K ohm RK73B2HTTE102J MCR50JZHJ102	Changed:9/'05	1			R
R17	<del>DBK-103FA4J</del> D0-14638001 DBK-103FA4S	<del>CRG10GF103F</del> 10K ohm RK73H2ATTD1002F RGC210F103	Changed:9/'05	1			R
C1	<del>DAA-101MM08</del> D0-03644001	Electrolytic CAP. <del>CESEM1H101A</del> 100µF TC04RSME50VB100MF50	Changed:9/'05	1			
C2	<del>DAC-334MK02</del> D0-03738000 <del>DAC-334MJ06</del> D0-21560000	Film CAP. <del>DTDB1H</del> -0.33µF DTDB1H334K Film CAP. ECQ-V1H334JZ ECQV1H334JZ	Changed:9/'05	1			R
C3	<del>DAA-561KM02</del> D0-17240000	Electrolytic CAP. <del>CEEFM1V561M6</del> 560µF LXV35VB560MJ30E1	Changed:9/'05	1			R
C4,5	<del>DAB-104MZ11</del> D0-05722001 <del>DAB-104MZ33</del> D0-05010001	Ceramic CAP. <del>GRM40F104Z50PT</del> 0.1µF GRM219F11H104ZA01D Ceramic CAP. <del>C2012JF1H104Z</del> C2012JF1H104ZT	Changed:9/'05	2			R
D1	<del>CBE-0317001</del> C0-10453000	Diode <del>D4220U</del> Diode D4L20U-7000	Changed:9/'05	1			R
D2,3	<del>Z421BAM01Z0</del> C0-09544001	Diode <del>AM01Z</del> Diode AM01ZV1	Changed:9/'05	2			R

\*1: Q'ty/Unit \*2: Recommended Parts \*3: Revised Record \*4: RoHS

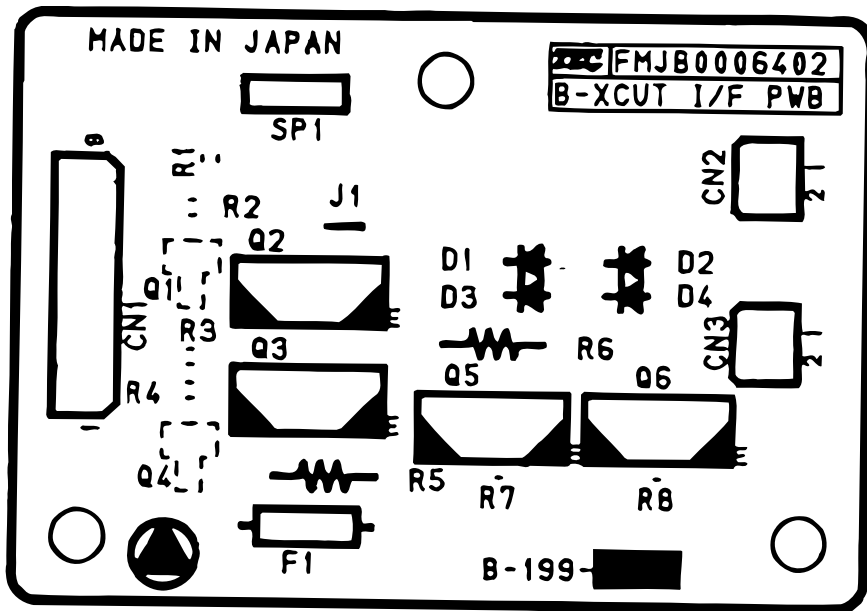
**3****PWM2 PC BOARD ASS'Y 3/3**

Ref.No.	Part No.	Description	Remarks	*1	*2	*3	*4
CN1	<del>EAA-1738001</del>	<del>CONN. 53253-0210</del>		1			
	E0-08305000	CONN. 53253-0270	Changed:9/'05				R
CN2	<del>EAA-0520001</del>	<del>CONN. 53014-0910</del>		1			
	E0-00621000	CONN. 53014-0910	Changed:9/'05				R
CN3	<del>EAA-0590001</del>	<del>CONN. 53014-0211</del>		1			
	E0-01067000	CONN. 53014-0211	Changed:9/'05				R
F1	<del>EHA-0076006</del>	<del>Fuse CCV 3AF12.5 3A</del>		1	D		
	E0-04560000	Fuse CCV 3 FC125	Changed:9/'05				
L1	<del>DDD-0145002</del>	<del>Coil SK-17P-050-230</del>		1			
	D0-24215000	Coil SK-17P-050-230	Changed:9/'05				R
HS1	<del>24084074039</del>	<del>Heat Sink</del>		1			
	F0-00378000	IC-1625-ST	Changed:9/'05				R
	<del>24BP0010306</del>	<del>Sems Screw SM 3x6</del>		3			
	X0-00055000	Double Sems Screw M-3x6	Changed:9/'05	2			
	X0-00072000	Double Sems Screw M-3x8	Added:9/'05	1			

\*1: Q'ty/Unit \*2: Recommended Parts \*3: Revised Record \*4: RoHS



4 CUT I/F PC BOARD ASS'Y



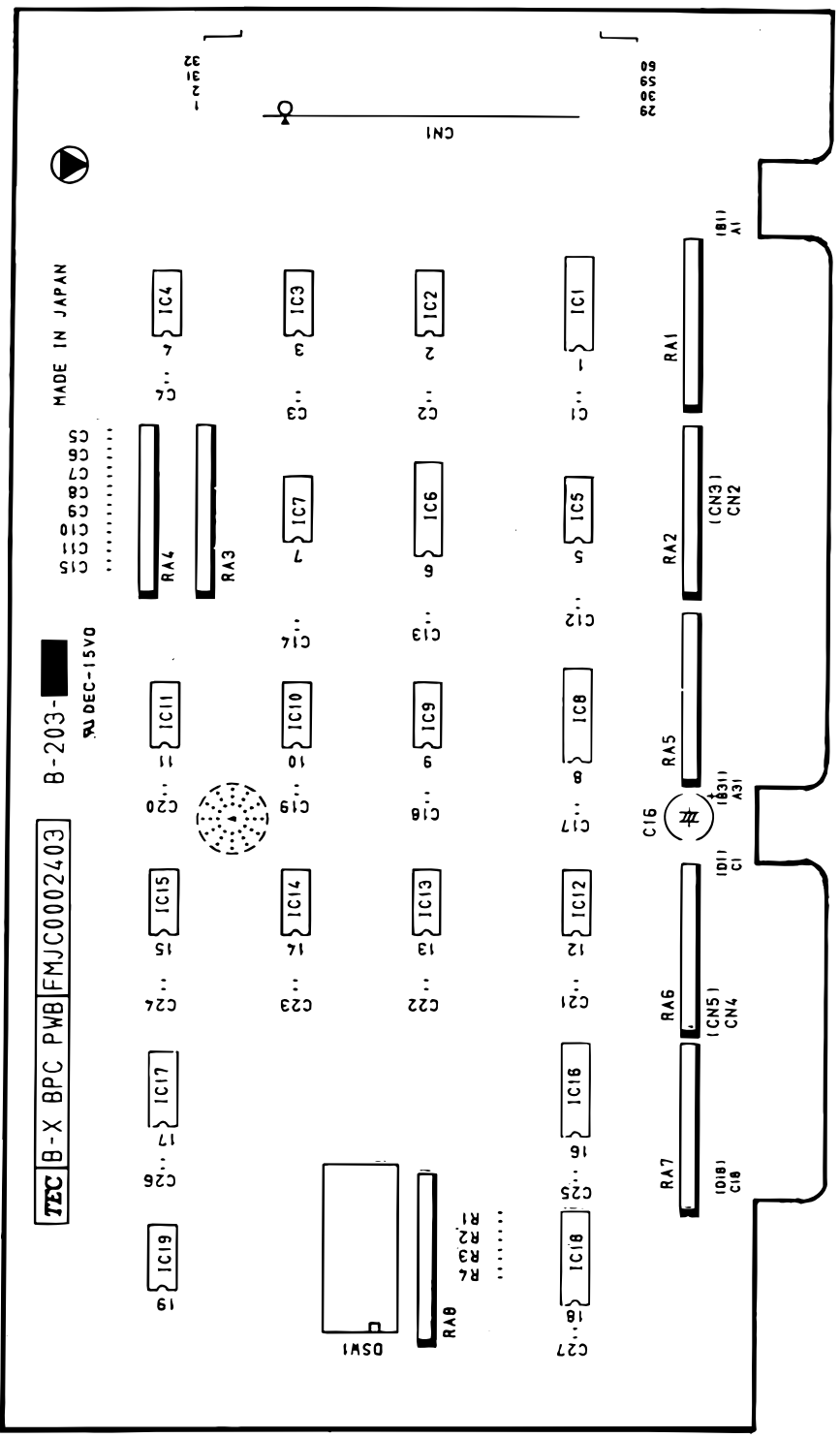
4

## CUT I/F PC BOARD ASS'Y

Ref.No.	Part No.	Description	Remarks	*1	*2	*3	*4
	FMBB0034301	CUT I/F PC Board Ass'y (Service No. B-199-01)		1	E		
Q1,4	<del>24220200310</del> C0-07391001	Chip XISTOR. FA1A4M-T1B Chip XISTOR. FA1A4M-T1B-A	Changed:9/'05	2			R
Q2,3	<del>CBA-0186001</del> C0-10851000	NPN XISTOR. 2SD1904RS NPN XISTOR. 2SD1904R/S-E	Changed:9/'05	2			R
Q5,6	<del>CBA-0327001</del> C0-10840000	PNP XISTOR. 2SB1268 PNP XISTOR. 2SB1268-E	Changed:9/'05	2			R
R1,4,7,8	<del>DBK-103JA4J</del> D0-19902001 D0-14818001	Chip RSTR. CRG10GJ103T 10K ohm Chip RSTR. MCR10EZHZJ103 RK73B2ATTD103J	Changed:9/'05 Changed:9/'05	4			R R
R2,3	<del>DBK-102JA4J</del> D0-19901001 D0-14810001	Chip RSTR. CRG10GJ102T 1K ohm Chip RSTR. MCR10EZHZJ102 RK73B2ATTD102J	Changed:9/'05 Changed:9/'05	2			R R
R5,6	<del>DBC-272JA5F</del> D0-00271002	MOF RSTR. RSS1/2T52J 27K ohm RSS1/2T52J	Changed:9/'05	2			
D1~4	<del>2421BAM01Z0</del> C0-09544001	Diode AM01Z Diode AM01ZV1	Changed:9/'05	4			R
F1	<del>EHA-0076007</del> E0-03914000	Fuse CCV 1AF12.5 2A Fuse CCV 1 FC125	Changed:9/'05	1	D		
CN1	<del>EAA-0520001</del> E0-00621000	CONN. 53014-0910	Changed:9/'05	1			R
CN2	<del>EAA-0590001</del> E0-01067000	CONN. 53014-0211	Changed:9/'05	1			R
CN3	<del>24420202270</del> E0-01068000	CONN. 53014-0212	Changed:9/'05	1			R
J1	<del>DBA-0R0JA2F</del> D0-20600001 D0-00220001	Carbon RSTR. <del>RD1/4SST236J</del> 0 ohm RDM14TS000J 1/6ZT26	Changed:9/'05 Changed:9/'05	1			R

\*1: Q'ty/Unit \*2: Recommended Parts \*3: Revised Record \*4: RoHS

5 BPC PC BOARD ASS'Y



5	<b>BPC PC BOARD ASS'Y</b>
---	---------------------------

Ref.No.	Part No.	Description	Remarks	*1	*2	*3	*4
	-----	BPC PC Board Ass'y (Service No. B-203-01)		1	E		
IC1,6	CAM-024508A	CMOS IC TC74AC245F TP2		2	E		
IC2~5	2420SNLS06S	TTL IC SN74LS06NS		4	E		
IC6,8,18	CAM-024408A	CMOS IC TC74AC244F		3	E		
IC7,11	CAF-001407F	TTL IC SN74LS14NS-SR05		2	E		
IC9,12	CAM-008608A	CMOS IC TC74AC86F		2	E		
IC10,13	CAM-000408A	CMOS IC TC74AC04F TP1		2	E		
IC14	CAF-003010F	TTL IC SN74AS30NS-SR05		1	E		
IC15,19	CAM-003208A	CMOS IC TC74AC32F TP1		2	E		
IC17	CAM-013908A	CMOS IC TC74AC139F TP2		1	E		
R1,4	DBK-103JA4J	Chip RSTR. CRG10GJ103T 10K $\Omega$		2			
R2,3	DBK-333JA4J	Chip RSTR. CRG10GJ333T 33K $\Omega$		2			
RA1~3,5~8	2425240008J	RSTR. Array EXB-F9E103J 10K $\Omega$		7			
RA4	DBP-0013001	RSTR. Array EXB-F9E471J 470 $\Omega$		1			
C1~4,12~14, 17~27	DAB-103MK10	Ceramic CAP. GRM40B103K 50PT 0.01 $\mu$ F		18			
C5~11,15	DAB-101MJ17	Ceramic CAP. GRM40CH101J 50PT 100pF		8			
C16	DAA-101CM21	Electrolytic CESEM1A101 100 $\mu$ F		1			
CN1	EAA-2423001	CONN. 8850-060-170LD		1			
	FMEB0091401	PC Shield Plate		1			
	24B50010305	Flanged Screw FL-3x5		2			
	24BB001G606	Sems Screw SM-2.6x6		2			
DSW1	EBC-0065001	Dip Switch KS08		1			
J1	DBK-000JA4A	Chip RSTR. MCR10EZHZJ000 0 $\Omega$		1			

\*1: Q'ty/Unit \*2: Recommended Parts \*3: Revised Record \*4: New Parts

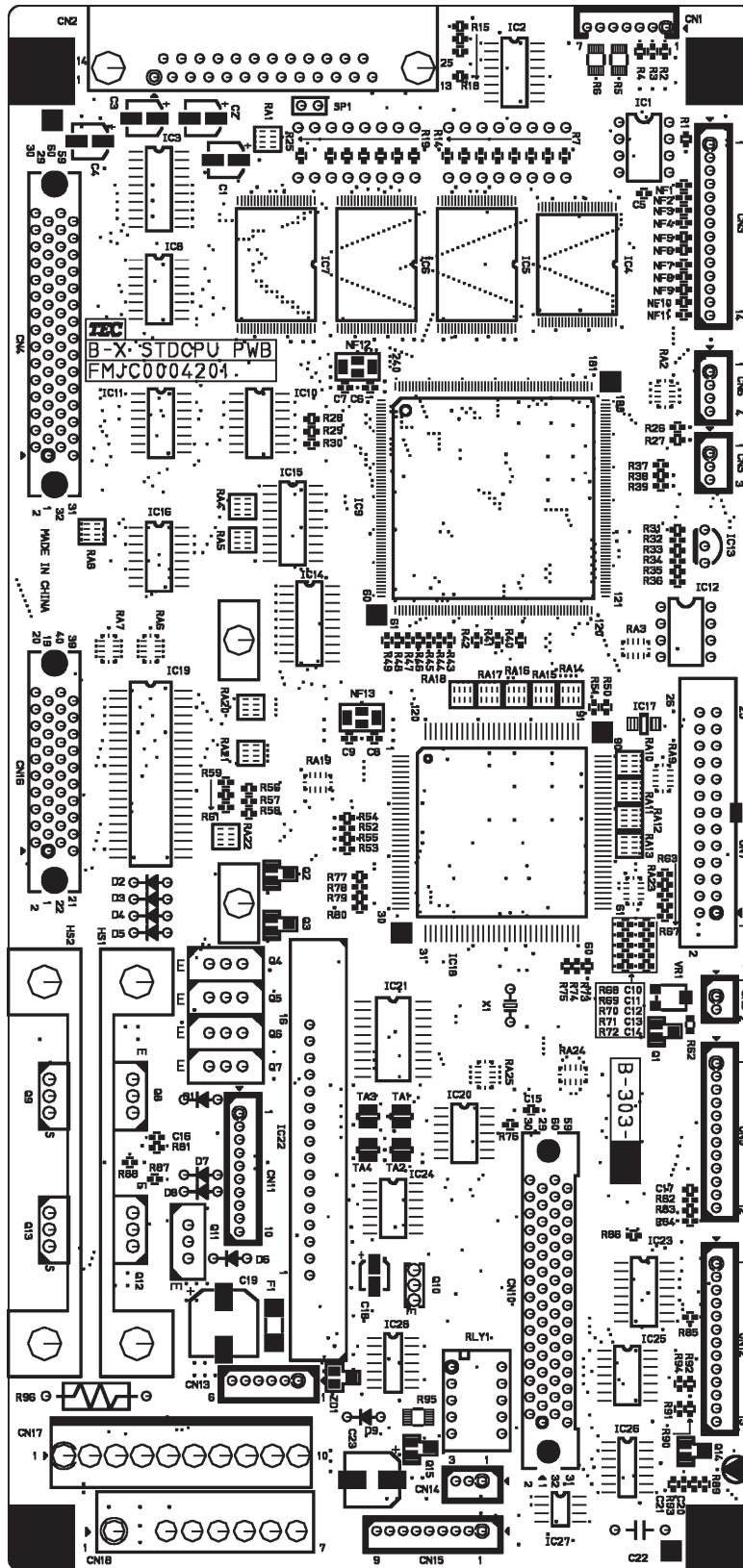


6	<b>BPE PC BOARD ASS'Y</b>
---	---------------------------

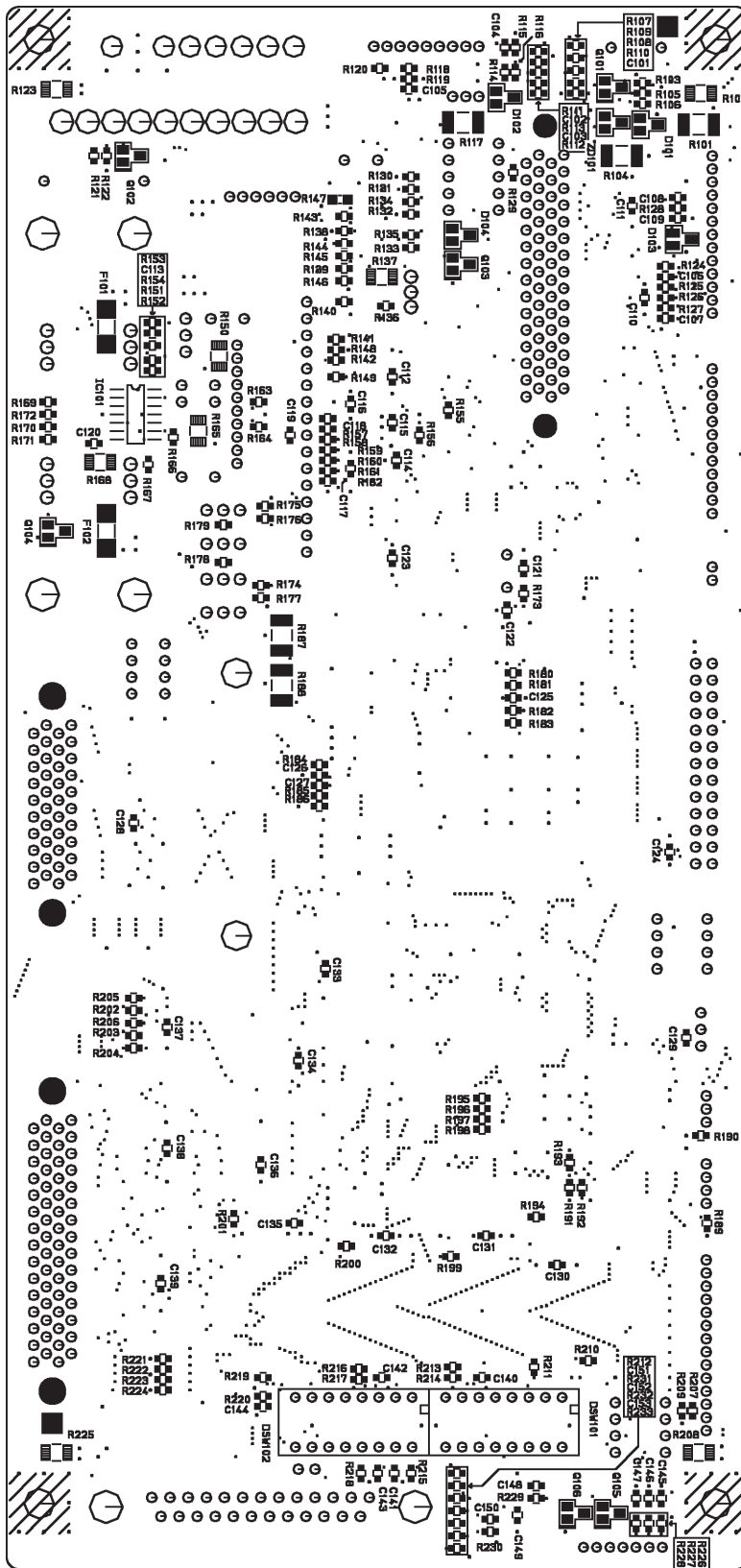
Ref.No.	Part No.	Description	Remarks	*1	*2	*3	*4
	-----	BPE PC Board Ass'y (Service No. B-202-01)		1	E		
IC1,23	CAM-000808A	CMOS IC TC74AC08F TP1		2	E		
IC2,6	CAM-003208A	CMOS IC TC74AC32F TP1		2	E		
IC3,19	CAM-000408A	CMOS IC TC74AC04F TP1		2	E		
IC4,17	CAM-017508A	CMOS IC TC74AC175F		2	E		
IC5	CAM-007408A	CMOS IC TC74AC74F TP1		1	E		
IC7,8,21	CAC-0274001	FIFO IC LH5496D-50		3	E		
IC9,11,12,20	CAF-001407F	TTL IC SN74LS14NS-SR05		4	E		
IC10	CAM-013808A	CMOS IC TC74AC138F TP1		1	E		
IC13~15,18	CAM-024408A	CMOS IC TC74AC244F		4	E		
IC16,22	2420SNLS06S	TTL IC SN74LS06NS		2	E		
R101	DBK-511JA4J	Chip RSTR. CRG10GJ511T 510Ω		1			
R102~107	DBK-103JA4J	Chip RSTR. CRG10GJ103T 10KΩ		6			
RA1~3,6,11	2425240008J	RSTR. Array EXB-F9E103J 10KΩ		5			
RA4,7,9	DBP-0013001	RSTR. Array EXB-F9E471J 470Ω		3			
RA5,8,10	2425240030J	RSTR. Array EXB-F9E104J 100KΩ		3			
RA12	2425240007J	RSTR. Array EXB-F5E103J 10KΩ		1			
D101~103	CBN-0022001	Chip Diode HSM107STL		3			
C1	DAA-101CM21	Electrolytic CAP. CESEM1A101 100μF		1			
C101,110~112, 118~124,126A, 131,139~143	DAB-101MJ17	Ceramic CAP. GRM40CH101J 50PT 100pF		22			
C102~109,113, 115~117,125, 132~138,144, 146	DAB-103MK10	Ceramic CAP. GRM40B103K 50PT 0.01μF		22			
C114,145, 147,148	DAB-471MJ07	Ceramic CAP. GRM40CH471J 50PT 470pF		4			
CN1	EAA-0299020	CONN. 5332-60GS1		1			
CN101	EAA-2395001	CONN. 8811-060-170S		1			
J51	DBK-000JA4A	Chip RSTR. MCR10EZHZJ000 0Ω		1			

\*1: Q'ty/Unit \*2: Recommended Parts \*3: Revised Record \*4: New Parts

<Part Side>



<Solder Side>





8

## CPU PC BOARD ASS'Y (Serial No. : 0Exxxxxx or later) 1/8

Ref.No.	Part No.	Description	Remarks	*1	*2	*3	*4
	FMBC0084406	CPU PC Board Ass'y (Service No. B-303-06)		1	E		
IC1	<del>CAG-0521001</del> C0-00930000	<del>Linear IC TC35098AP (A/DC)</del> Linear IC TC35098AP	1 Changed:3/'05	E			
IC2,23	<del>CAN-005102E</del> C0-09797001	<del>CMOS IC BU4051BF</del> CMOS IC BU4051BCF-T1	2 Changed:3/'05	E			R
IC3	<del>CAH-0071001</del> C0-03426001	<del>RS-232C Driver/Receiver IC MC145407F</del> MC145407FR1	1 Changed:3/'05	E			
IC7	FMBC0084301	BOOT ROM	1	E			
IC8,10,11,16	<del>CAM-015722A</del> C0-08563001	<del>CMOS IC TC74VHC157F</del> CMOS IC TC74VHC157F(EL F)	4 Changed:3/'05	E			R
IC9	CAJ-0294001 C0-13919000	Gate Array EC-M100 EC-M100 UPD65802GN011LMUA	1 Added:11/'06	E			R
IC12	<del>CAD-0288001</del> C0-04552000 C0-13390000	<del>EER-ROM M93C46-BN6</del> EER-ROM AT93C46-10PU-1.8	1 Changed:3/'05 Added:1/'07	E			R
IC13	<del>EAA-0239001</del> E0-00140000 EAB-0138001 CAG-0524001	<del>IC Socket 2-641260-3</del> <del>IC Socket 4100-08AT1</del> <del>Reset IC PST600D</del>	1 Changed:3/'05	E			
IC14,15	<del>CAM-024522A</del> C0-08569001	<del>CMOS IC TC74VHC245F</del> CMOS IC TC74VHC245F(EL F)	2 Changed:3/'05	E			R
IC17	<del>CAQ-0062002</del> C0-08638001	<del>CMOS IC TC7WH04FU</del> CMOS IC TC7WH04FU(TE12L F)	1 Changed:3/'05	E			R
IC18	<del>CAA-0249001</del> C0-03339000	CPU UPD70236AGD-16-5BB	1 Changed:3/'05	E			
IC19	<del>CAC-0503001</del> C0-03499000 <del>CAC-0391006</del> C0-04797000 <del>CAC-0509001</del> C0-04819000 C0-08187000 C0-08188000	D-RAM MSM5118160B-60JS D-RAM KM416C1200CJ-6 D-RAM GM71C18160CJ-6 D-RAM MSM5118160F-60JS D-RAM MSM5118160F-60J3	1 Changed:3/'05 Changed:3/'05 Changed:3/'05 Added:3/'05 Added:3/'05	E			R
IC20	<del>CAM-001122A</del> C0-08557001	<del>CMOS IC TC74VHC11F</del> CMOS IC TC74VHC11F(EL F)	1 Changed:3/'05	E			R
IC21	<del>CAJ-0343001</del> CAJ-0491007 C0-08200000	<del>Gate Array EC M118A</del> Gate Array PALCE16V8H-25SC/4 EC-M253 Gate Array EC-M263 GAL16V8D-25LS	1 Changed:9/2000 Added:11/'03	E			
IC22	<del>CAK-0056001</del> C0-02248000	<del>HIC STK6712AMK4</del> HIC STK6712AMK4	1 Changed:3/'05	E			

\*1: Q'ty/Unit \*2: Recommended Parts \*3: Revised Record \*4: RoHS

8

## CPU PC BOARD ASS'Y (Serial No. : 0Exxxxxx or later) 2/8

Ref.No.	Part No.	Description	Remarks	*1	*2	*3	*4
IC24	C0-10337000	HIC STK6712AMK4-E	Changed:9/'05				R
	<del>CAM-003222A</del>	<del>CMOS IC TC74VHC32F</del>		1	E		
IC25	C0-08572001	CMOS IC TC74VHC32F(EL F)	Changed:3/'05				R
	<del>CAG-0439001</del>	<del>Linear IC M62354FP (D/AC)</del>		1	E		
IC26,28,101	C0-05264001	Linear IC M62354FP 70ND	Changed:3/'05				
	<del>CAG-0522001</del>	OP Amp BA10324AF		3	E		
IC27	C0-09749001		Changed:3/'05				R
	<del>CAG-0185001</del>	Comparetor IC BA10393F-T1		1	E		
Q1~3,15,102-106	C0-09754001		Changed:3/'05				R
	<del>EBC-0005001</del>	XISTOR. DTC124EKT146		9			
Q4,7,11	C0-01810001		Changed:3/'05				
	<del>EBC-0017001</del>	Chip XISTOR. FA1A4M-T1B					R
Q5,6	C0-07391001	Chip XISTOR. FA1A4M-T1B-A	Changed:3/'05				
	<del>EBA-0186001</del>	NPN XISTOR. 2SD1904R/S-E		3			
Q8,12	C0-10851000		Changed:3/'05				R
	<del>EBA-0327001</del>	PNP XISTOR. 2SB1268-E		2			
Q9,13	C0-10840000		Changed:3/'05				R
	<del>EBA-0326001</del>	NPN XISTOR. 2SD1838		2			
Q10	C0-10850000		Changed:3/'05				R
	<del>EBO-0162001</del>	FET XISTOR. 2SJ495		2			
Q14,101	C0-07337000	FET XISTOR. 2SJ495-AZ	Changed:3/'05				R
	<del>EBA-0091002</del>	NPN XISTOR. 2SD1802		1			
TA1~4	<del>C0-02183000</del>		Changed:3/'05				
	<del>C0-07883000</del>	NPN XISTOR. 2SD1802S/T-E	Changed:9/'05				
	<del>EBA-0088001</del>	Chip XISTOR. 2SC1621-T1B		2			
	<del>C0-07352001</del>	Chip XISTOR. 2SC1621-T1B-A	Changed:3/'05				R
	<del>EBA-0508001</del>	NPN XISTOR. 2SD2114K					
	<del>C0-09738001</del>	NPN XISTOR. 2SD2114KT146	Changed:3/'05				R
	<del>EBC-0061001</del>	XISTOR. Array RN460Z		4			
	<del>C0-00683001</del>	XISTOR. Array RN4602(TE85R)	Changed:3/'05				
R1,111,112, 115,122,131		<i>&lt;Chip RSTR.&gt;</i>					
	<del>DBK-472JA5A</del>	MCR03EZHJ472 4.7K ohm		6			
R2~4,31,38,52 ~55,64~67,73~ 80,83,86, 106,110,118, 132,133,141, 144,145,152, 171,175,177~ 180,182,183, 186,189,190, 195~198	<del>D0-19410001</del>		Changed:3/'05				R
	<del>D0-23928001</del>	MCR03EZPJ472 4.7k ohm	Changed:11/'06				R
	<del>DBK-103JA5A</del>	MCR03EZHJ103 10K ohm	R86: Deleted:9/'00 46	47			
	<del>D0-19327001</del>		Changed:3/'05				R
	<del>D0-23895001</del>	MCR03EZPJ103 10k ohm	Changed:11/'06				R

\*1: Q'ty/Unit \*2: Recommended Parts \*3: Revised Record \*4: RoHS

8

## CPU PC BOARD ASS'Y (Serial No. : 0Exxxxxx or later) 3/8

Ref.No.	Part No.	Description	Remarks	*1	*2	*3	*4
R5	<del>DBK-111JA2A</del> D0-20179001	MCR25JZHJ111 110 ohm	Changed:3/'05	1			R
R6,150,165	<del>DBK-111JA2S</del> <del>DBK-221JA2A</del> D0-20198001	RGC325TRJ111 110 ohm MCR25JZHJ221 220 ohm	Changed:3/'05	3			R
R7,10,13,16, 18,20,23	<del>DBK-222FB5A</del> D0-19516001 DBK-222FB5S	MCR03EZPF2201 2.2K ohm RGC168TRF2201 2.2K ohm	Changed:3/'05	7			R
R8,11,14,17, 21,24,129	<del>DBK-102FB5A</del> D0-19452001 DBK-102FB5S	MCR03EZPF1001 1K ohm RGC168TRF1001 1K ohm	Changed:3/'05	7			R
R9,12,19,22, 25,120	<del>DBK-392FB5A</del> D0-19579001 DBK-392FB5S	MCR03EZPF3901 3.9K ohm RGC168TRF3901 3.9K ohm	Changed:3/'05	6			R
R15,27,50,86, 191,222,224	<del>DBK-R00JA5A</del> <del>D0-19553001</del> D0-23887001	<del>MCR03EZHJ000 0 ohm</del> MCR03EZPJ000 0 ohm	R86: Added:9/'00 Changed:3/'05 Changed:11/'06	6 7			R R
R28~30,32~37, 40~49,56~61, 68~72,149, 156,181,184, 185,192,202~ 204	<del>DBK-470JA5A</del> <del>D0-19408001</del> D0-23926001	<del>MCR03EZHJ470 47 ohm</del> MCR03EZPJ470 47 ohm	Changed:3/'05 Changed:11/'06	39			R R
R62	<del>DBK-560JA4A</del> D0-19991001 DBK-560JA4S	MCR10EZHJ560 56 ohm RGC210TRJ560 56 ohm	Changed:3/'05	1			R
R63,82,89, 107,119,140, 226~228	<del>DBK-102JA5A</del> <del>D0-19326001</del> D0-23893001	<del>MCR03EZHJ102 1K ohm</del> MCR03EZPJ102 1k ohm	Changed:3/'05 Changed:11/'06	9			R R
R81,87,134	<del>DBK-153JA5A</del> <del>D0-19349001</del> D0-23909001	<del>MCR03EZHJ153 15K ohm</del> MCR03EZPJ153 15k ohm	Changed:3/'05 Changed:11/'06	3			R R
R84,85,161	<del>DBK-103FB5A</del> D0-19453001	MCR03EZPF1002 10K ohm	Changed:3/'05	3			R
R90	<del>DBK-223JA5A</del> <del>D0-19369001</del> D0-23917001	<del>MCR03EZHJ223 22K ohm</del> MCR03EZPJ223 22k ohm	Changed:3/'05 Changed:11/'06	1			R R
R91	<del>DBK-163JA5A</del> <del>D0-19353001</del> D0-25564001 DBK-163JA5S	<del>MCR03EZHJ163 16K ohm</del> MCR03EZPJ163 16k ohm RGC168TRJ163 16K ohm	Changed:3/'05 Changed:11/'06	1			R R
R92	<del>DBK-153FB5A</del> D0-19483001	MCR03EZPF1502 15K ohm	Changed:3/'05	1			R
R93,128	<del>DBK-104JA5A</del> D0-19328001 D0-23897001	MCR03EZHJ104 100K ohm MCR03EZPJ104 100K ohm	Changed:3/'05 Changed:11/'06	2			R R

\*1: Q'ty/Unit \*2: Recommended Parts \*3: Revised Record \*4: RoHS

8

## CPU PC BOARD ASS'Y (Serial No. : 0Exxxxxx or later) 4/8

Ref.No.	Part No.	Description	Remarks	*1	*2	*3	*4
R94	<del>DBK-113FB5A</del> D0-19459001	MCR03EZPF1102 11K ohm	Changed:3/'05	1			R
R96	<del>DBC-102JA3E</del> D0-21202001	RSMF2B102J 1K ohm	Changed:3/'05	1			R
	<del>DBC-102JA3S</del> D0-02913001	RLF2SPT52J102 1K ohm	Changed:3/'05				
R101,104	<del>DBK-151JA1A</del> D0-20306001	MCR50JZHJ151 150 ohm	Changed:3/'05	2			R
R103	<del>DBK-222JA5A</del> D0-19368001	<del>MCR03EZHJ222 2.2K ohm</del>	Changed:3/'05	1			R
	D0-23916001	MCR03EZPJ222 2.2K ohm	Changed:11/'06				R
R105	<del>DBK-564JA5A</del> D0-19424001	<del>MCR03EZHJ564 560K ohm</del>	Changed:3/'05	1			R
	D0-25116001	MCR03EZPJ564 560k ohm	Changed:11/'06				R
R108	<del>DBK-334JA5A</del> D0-19392001	<del>MCR03EZHJ334 330K ohm</del>	Changed:3/'05	1			R
	D0-23924001	MCR03EZPJ334 330K ohm	Changed:11/'06				R
R109	<del>DBK-362JA5A</del> D0-19395001	<del>MCR03EZHJ362 3.6K ohm</del>	Changed:3/'05	1			R
	D0-25580001	MCR03EZPJ362 3.6K ohm	Changed:11/'06				R
R113	<del>DBK-682JA5A</del> D0-19434001	<del>MCR03EZHJ682 6.8K ohm</del>	Changed:3/'05	1			R
	D0-25602001	MCR03EZPJ682 6.8K ohm	Changed:11/'06				R
R114	<del>DBK-563JA5A</del> D0-19423001	<del>MCR03EZHJ563 56K ohm</del>	Changed:3/'05	1			R
	D0-24723001	MCR03EZPJ563 56K ohm	Changed:11/'06				R
R116	<del>DBK-224JA5A</del> D0-19370001	<del>MCR03EZHJ224 220K ohm</del>	Changed:3/'05	1			R
	D0-23972001	MCR03EZPJ224 220K ohm	Changed:11/'06				R
R117	<del>DBK-272JA1A</del> D0-20324001	MCR50JZHJ272 2.7K ohm	Changed:3/'05	1			R
R121	<del>DBK-333JA5A</del> D0-19391001	<del>MCR03EZHJ333 33K ohm</del>	Changed:3/'05	1			R
	D0-25110001	MCR03EZPJ333 33K ohm	Changed:11/'06				R
R124,127	<del>DBK-563FB5A</del> D0-19620001	MCR03EZPF5602 56K ohm	Changed:3/'05	2			R
	DBK-563FB5S	RGC168TRF5602 56K ohm					
R125	<del>DBK-203JA5A</del> D0-19364001	<del>MCR03EZHJ203 20K ohm</del>	Changed:3/'05	1			R
	D0-25108001	MCR03EZPJ203 20K ohm	Changed:11/'06				R
R126,138	<del>DBK-273JA5A</del> D0-19555001	<del>MCR03EZHJ273 27K ohm</del>	Changed:3/'05	2			R
	D0-25577001	MCR03EZPJ273 27K ohm	Changed:11/'06				R
R130	<del>DBK-332JA5A</del> D0-19390001	<del>MCR03EZHJ332 3.3K ohm</del>	Changed:3/'05	1			R
	D0-23923001	MCR03EZPJ332 3.3K ohm	Changed:11/'06				R
R135,139	<del>DBK-154JA5A</del> D0-19350001	<del>MCR03EZHJ154 150K ohm</del>	Changed:3/'05	2			R
	D0-23910001	MCR03EZPJ154 150K ohm	Changed:11/'06				R
R137	<del>DBK-560JA2A</del> D0-20245001	MCR25JZHJ560 56 ohm	Changed:3/'05	1			R
	DBK-560JA2S	RGC325TRJ560 56 ohm					

\*1: Q'ty/Unit \*2: Recommended Parts \*3: Revised Record \*4: RoHS

8

## CPU PC BOARD ASS'Y (Serial No. : 0Exxxxxx or later) 5/8

Ref.No.	Part No.	Description	Remarks	*1	*2	*3	*4
R146,209	<del>DBK-432JA5A</del> D0-19406001	<del>MCR03EZHJ432</del> 4.3K ohm	Changed:3/'05	2			R
	D0-25592001	MCR03EZPJ432 4.3K ohm	Changed:11/'06				R
R147	<del>DBK-103JA4A</del> D0-19902001	<del>MCR10EZHJ103</del> 10K ohm	Changed:3/'05	1			R
R151	<del>DBK-271JA5A</del> D0-19378001	<del>MCR03EZHJ271</del> 270 ohm	Changed:3/'05	1			R
	D0-25576001	MCR03EZPJ271 270 ohm	Changed:11/'06				R
R153,167	<del>DBK-221JA5A</del> D0-19367001	<del>MCR03EZHJ221</del> 220 ohm	Changed:3/'05	2			R
	D0-23915001	MCR03EZPJ221 220 ohm	Changed:11/'06				R
R154,166	<del>DBK-683JA5A</del> D0-19435001	<del>MCR03EZHJ683</del> 68K ohm	Changed:3/'05	2			R
	D0-25607001	MCR03EZPJ683 68K ohm	Changed:11/'06				R
R157	<del>DBK-391FB5A</del> D0-19578001	<del>MCR03EZPF3900</del> 390 ohm	Changed:3/'05	1			R
	DBK-391FB5S	RGC168TRF3900 390 ohm					
R158	<del>DBK-512FB5A</del> D0-19608001	<del>MCR03EZPF5101</del> 5.1K ohm	Changed:3/'05	1			R
	DBK-512FB5S	RGC168TRF5101 5.1K ohm					
R159	<del>DBK-682FB5A</del> D0-19639001	<del>MCR03EZPF6801</del> 6.8K ohm	Changed:3/'05	1			R
	DBK-682FB5S	RGC168TRF6801 6.8K ohm					
R160	<del>DBK-822FB5A</del> D0-19656001	<del>MCR03EZPF8201</del> 8.2K ohm	Changed:3/'05	1			R
	DBK-822FB5S	RGC168TRF8201 8.2K ohm					
R162	<del>DBK-303FB5A</del> D0-19548001	<del>MCR03EZPF3002</del> 30K ohm	Changed:3/'05	1			R
	DBK-303FB5S	RGC168TRF3002 30K ohm					
R163,164	<del>DBK-912JA5A</del> D0-19448001	<del>MCR03EZHJ912</del> 9.1K ohm	Changed:3/'05	2			R
	D0-25614001	MCR03EZPJ912 9.1K ohm	Changed:11/'06				R
	DBK-912JA5S	RGC168TRJ912 9.1K ohm	Changed:5/2000				
R168	<del>DBK-151JA2A</del> D0-20185001	<del>MCR25JZHJ151</del> 150 ohm	Changed:3/'05	1			R
	DBK-151JA2S	RGC325TRJ151 150 ohm					
R169,170	<del>DBK-100JA5A</del> D0-19324001	<del>MCR03EZHJ100</del> 10 ohm	Changed:3/'05	2			R
	D0-23889001	MCR03EZPJ100 10 ohm	Changed:11/'06				R
R172	<del>DBK-822JA5A</del> D0-19443001	<del>MCR03EZHJ822</del> 8.2K ohm	Changed:3/'05	1			R
	D0-23942001	MCR03EZPJ822 8.2K ohm	Changed:11/'06				R
R173	<del>DBK-330JA5A</del> D0-19388001	<del>MCR03EZHJ330</del> 33 ohm	Changed:3/'05	1			R
	D0-23921001	MCR03EZPJ330 33 ohm	Changed:11/'06				R
R174,176	<del>DBK-471JA5A</del> D0-19409001	<del>MCR03EZHJ471</del> 470 ohm	Changed:3/'05	2			R
	D0-23927001	MCR03EZPJ471 470 ohm	Changed:11/'06				R
R187,188	<del>DBK-222JA1A</del> D0-20318001	<del>MCR50JZHJ222</del> 2.2K ohm	Changed:3/'05	2			R

\*1: Q'ty/Unit \*2: Recommended Parts \*3: Revised Record \*4: RoHS

8

## CPU PC BOARD ASS'Y (Serial No. : 0Exxxxxx or later) 6/8

Ref.No.	Part No.	Description	Remarks	*1	*2	*3	*4
R136,143,199~ 201,205,206, 211	<del>DBK-101JA5A</del> <del>DO-19325001</del> D0-23891001	<del>MCR03EZHJ101 100 ohm</del> MCR03EZPJ101 100 ohm	Changed:3/'05 Changed:11/'06	8			R R
R207	<del>DBK-152JA5A</del> <del>DO-19348001</del> D0-23907001	<del>MCR03EZHJ152 1.5K ohm</del> MCR03EZPJ152 1.5K ohm	Changed:3/'05 Changed:11/'06	1			R R
R212,215,218, 229~232	<del>DBK-681FB5A</del> D0-19638001 DBK-681FB5S	MCR03EZPF6800 680 ohm RGC168TRF6800 680 ohm	Changed:3/'05	7			R
R225	<del>DBK-R00JA2A</del> D0-20172001 DBK-R00JA2S	MCR25JZHJ000 0 ohm RGC325TRJ000 0 ohm	Changed:3/'05	1			R
RA1,8,10~13, 22	<del>DBP-0015001</del> D0-20263001	RSTR. Array MNR14E0AJ101 100 ohm	Changed:3/'05	7			R
RA2,3,6,7,9, 19,23~25	DBP-0294001 D0-23073001	RSTR. Array RNA4A8E103JT 10K ohm	Changed:3/'05	9			
RA4,5,14~18, 20,21	<del>DBP-0015038</del> D0-20289001	RSTR. Array MNR14E0AJ470 47 ohm	Changed:3/'05	9			R
VR1	<del>DBG-0196001</del> <del>DO-05517001</del> D0-22875001	Chip V. RSTR. RVG4H01 102VM TC 1K ohm PVM4A102A01R00 PVM4A102C01R00	Changed:3/'05 Changed:9/'05	1	E		
ZD1	<del>CBG-0361001</del> C0-00433001	<del>Z. Diode 02CZ4.3-X</del> Z. Diode 02CZ4.3-X(TE85R)	Changed:3/'05	1			
ZD101	<del>CBG-0222001</del> C0-00435001	<del>Z. Diode 02CZ4.7-Y</del> Z. Diode 02CZ4.7-Y(TE85R)	Changed:3/'05	1			
D1~8	<del>CBE-0085001</del> C0-09544001	<del>Diode AM01Z</del> Diode AM01ZV1	Changed:3/'05	8			R
D9	<del>CBE-0029001</del> C0-11907000	Diode ERA15-01	Changed:3/'05	1			
D101~104	<del>CBE-0100001</del> C0-08894001	<del>Chip Diode 1SS187-TE85L</del> Chip Diode 1SS187(TE85L F)	Changed:3/'05	4			R
<b>&lt;Chip CAP.&gt;</b>							
C1~4	<del>DAA-100HM14</del> D0-18359001	<del>UWT1E100MCR1GB 10 micro F</del> UWT1E100MCL1GB	Changed:3/'05	4			
C5~9,15,16, 101,110~118, 123,124,128~ 139,149	<del>DAB-103MK15</del> D0-04100001	<del>GRM39B103K50PT 0.01 micro F</del> GRM188B11H103KA01D	Changed:3/'05	32			R
C17,20,102, 103,105~108, 120,141,143, 145~148,150~ 153	<del>DAB-104HZ15</del> D0-04098001	<del>GRM39F104Z25PT 0.1 micro F</del> GRM188F11E104ZA01D	Changed:3/'05	19			R

\*1: Q'ty/Unit \*2: Recommended Parts \*3: Revised Record \*4: RoHS

8

## CPU PC BOARD ASS'Y (Serial No. : 0Exxxxxx or later) 7/8

Ref.No.	Part No.	Description	Remarks	*1	*2	*3	*4
C18	<del>DAA-100FM04</del> D0-18391001	<del>UWX1C100MCR1GB</del> 10 micro F UWX1C100MCL1GB	Changed:3/'05	1			
C19	<del>DAA-101MM27</del> D0-18291001	<del>UUR1H101MNR1GS</del> 100 micro F UUR1H101MNL1GS	Changed:3/'05	1			
C21,109	<del>DAB-102MK23</del> D0-04101001	<del>GRM39B102K50PT</del> 1000pF GRM188B11H102KA01D	Changed:3/'05	2			R
C23	<del>DAA-221CM57</del> D0-18388001	<del>UWX1A221MCR1GB</del> 220 micro F UWX1A221MCL1GB	Changed:3/'05	1			
C104	<del>DAB-561MK09</del> D0-07520001	<del>GRM39B561K50PT</del> 560pF GRM188B11H561KA01D	Changed:3/'05	1			R
C119	<del>DAB-101MJ21</del> D0-04102001	<del>GRM39CH101J50PT</del> 100pF GRM1882C1H101JA01D	Changed:3/'05	1			R
C121	<del>DAB-050MK01</del> D0-07500001	<del>GRM39CH050C50PT</del> 5pF GRM1882C1H5R0CZ01D	Changed:3/'05	1			R
		<i>&lt;Film CAP.&gt;</i>					
C22	<del>DAC-334MK02</del> D0-03738000 DAC-334MJ02	<del>DTDB1H334K</del> 0.33 micro F ECQV1H334JZ 0.33 micro F	Changed:3/'05	1			
CN1	<del>EAA-2187001</del> E0-06791000 E0-09514000	<del>CONN. B7B-PH-K-S</del> CONN. B7B-PH-K-S (LF) CONN. B7B-PH-K-S (LF) (SN)	Changed:3/'05 Added: 4/'06	1			R R
CN2	<del>EAA-0361029</del> E0-04636000 E0-08164000	<del>CONN. 17LE-13250-27 (D4AH)</del> CONN. 17LE-13250-27 (D4AH)-FA R	Changed:3/'05 Changed: 4/'06	1			
CN3	<del>EAA-2387001</del> E0-01086000	CONN. 53014-1412	Changed:3/'05	1			R
CN4	<del>EAA-2306001</del> E0-00640000	CONN. 52326-0601	Changed:3/'05	1			
CN5	<del>EAA-2303001</del> E0-01071000	CONN. 53014-0311	Changed:3/'05	1			
CN6	<del>EAA-0046002</del> E0-00616000	CONN. 53014-0410	Changed:3/'05	1			R
CN7	<del>EAA-0011001</del> E0-00953000	CONN. 5332-26T2	Changed:3/'05	1			R
CN8	<del>EAA-0290003</del> E0-00614000	CONN. 53014-0210	Changed:3/'05	1			R
CN9	<del>EAA-2388001</del> E0-01084000	CONN. 53014-1213	Changed:3/'05	1			R
CN10	<del>EAA-2394001</del> E0-02952000	CONN. 8801-060-170S	Changed:3/'05	1			
CN11	<del>EAA-2386001</del> E0-01083000	CONN. 53014-1012	Changed:3/'05	1			R
CN12	<del>EAA-2302001</del> E0-00624000	CONN. 53014-1310	Changed:3/'05	1			R
CN13	<del>EAA-0290004</del> E0-00618000	CONN. 53014-0610	Changed:3/'05	1			R

\*1: Q'ty/Unit \*2: Recommended Parts \*3: Revised Record \*4: RoHS

8

## CPU PC BOARD ASS'Y (Serial No. : 0Exxxxxx or later) 8/8

Ref.No.	Part No.	Description	Remarks	*1	*2	*3	*4
CN14	<del>EAA-1178001</del> EO-00615000	CONN. 53014-0310	Changed:3/'05	1			R
CN15	<del>EAA-0520001</del> EO-00621000	CONN. 53014-0910	Changed:3/'05	1			R
CN17	<del>EAA-2251001</del> EO-07483000	<del>CONN. B10P-VH</del> CONN. B10P-VH (LF)	Changed:3/'05	1			R
CN18	EAA-0319001	CONN. 5275-07A		1			
DSW101,102	<del>EBC-0065001</del> EO-02314000	DIP Switch KS-08	Changed:3/'05	2			
F1,101,102	<del>EHA-0213006</del> <del>EO-03832001</del> EO-09347001	<del>Fuse R451002</del> <del>Fuse 0451-002MR</del> Fuse 0451002.MRL	Changed:3/'05 Changed:11/'06	3	D		R
RLY1	<del>ELA-0026001</del> EO-02317000	Relay A-5W-K	Changed:3/'05	1			R
X1	<del>BCD-0267001</del> DO-05752000	<del>Crystal CSA32.00MXZ040</del> Crystal CSALA32M0X51-B0	Changed:3/'05	1	E		
NF1~11	<del>BDG-0115003</del> DO-04444001	<del>Noise Filter BLM11A121SPT</del> Noise Filter BLM18AG121SN1D	Changed:3/'05	11			R
NF12,13	<del>BDA-0208001</del> DO-05466001	<del>Noise Filter NFM41P11C204</del> Noise Filter NFM41PC204F1H3L	Changed:3/'05	2			R
SP1	<del>EAA-1475001</del> EO-03703000	Jumper CONN. PS-2PF-D4T1-PKLI	Changed:3/'05	1			
HS1,2	FMEB0087201 FMEB0087301 FMEB0087401	Heat Sink A Heat Sink B Heat Sink C	Attached to Heat Sink A Attached to Heat Sink A	2 1 1			
	<del>X0110306136</del>	<del>Sems Screw SM 3x6C</del>	Fixed for Heat Sink A to PWB	4			
	X0-00055000	Double Sems Screw M-3x6	Changed:3/'05				
	<del>X0110325137</del>	<del>Sems Screw SM 3x25C</del>	Fixed for Heat Sink B and C to Heat Sink A	2			
	X0-00135000	Double Sems Screw M-3x25	Changed:3/'05				
	FMEB0085201	Shield Plate for RS-232C CONN.	Attached to CN2	1			

\*1: Q'ty/Unit \*2: Recommended Parts \*3: Revised Record \*4: RoHS