



TEC Thermal Printer

# **B-450 SERIES**

## **Parts List**

Document No. **EO8-33003B**

Original **Dec., 1998**

(Revised **May, 2000**)

## TABLE OF CONTENTS

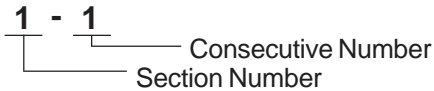
	Page
<b>HOW TO USE THIS PARTS LIST .....</b>	<b>2</b>
<b>BODY PARTS</b>	
1. COVER BLOCK .....	B1-1
2. PCB & MOTOR BLOCK .....	B2-1
3. FRAME BLOCK .....	B3-1
4. PRINT HEAD BLOCK .....	B4-1
5. SUPPLY HOLDER UNIT .....	B5-1
6. OPTIONAL KIT (1) .....	B6-1
7. OPTIONAL KIT (2) (STRIP MODULE: B-7904-H-QM) .....	B7-1
8. MISCELLANEOUS PARTS .....	B8-1
<b>ELECTRONIC PARTS</b>	
1. CPU PC BOARD ASS'Y (TS/CHD model) .....	E1-1
2. EXPIO PC BOARD (TS/CHD model) .....	E2-1
3. CENTRO PC BOARD .....	E3-1
4. CPU PC BOARD ASS'Y (HS model) .....	E4-1
5. HEAD600 CONT PC BOARD (HS model) .....	E5-1
6. 600 EXP I/O PC BOARD (HS model) .....	E6-1

### **CAUTION:**

1. *This manual may not be copied in whole or in part without prior written permission of TOSHIBA TEC.*
2. *The contents of this manual may be changed without notification.*
3. *Please refer to your local Authorized Service representative with regard to any queries you may have in this manual.*

## HOW TO USE THIS PARTS LIST

1) Indication of Ref. No.



2) The initials found in the Remarks column refer to the destination. If there is no symbol, it is a standard part.

- QM ..... Standard for worldwide
- QP ..... for Europe
- QQ ..... for North America

3) Miscellaneous parts (screws, washers, etc.) shall be ordered in minimum lots of 100.

4) As a rule, orders will not be accepted and the company will not be responsible for problems concerning parts not listed in this parts list.

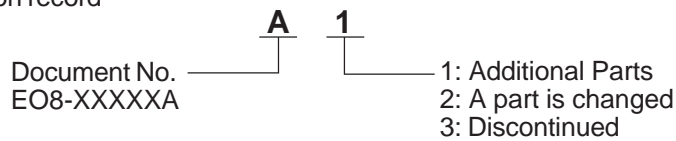
5) The columns from \*1 through \*4 indicates as follows:

\*1 : Quantity/Unit

\*2 : Recommendation of parts stock

	Q'ty/100 Units
Class A .....	10
Class B .....	7
Class C .....	5
Class D .....	3
Class E .....	1

\*3 : Revision record



\*4 : RoHS-compliant part (indicated with "R")

6) The name of the electronic parts are abbreviated as below:

Ref. No.	Real Name	Abbreviation	Ref. No.	Real Name	Abbreviation
C	Capacitor	CAP.	Q	Transistor	XISTOR.
R	Resistor	RSTR.	CN	Connector	CONN.
RA	Resistor Array	RSTR. Array	ZD	Zener Diode	Z. Diode
VR (RV)	Variable Resistor	V. RSTR			

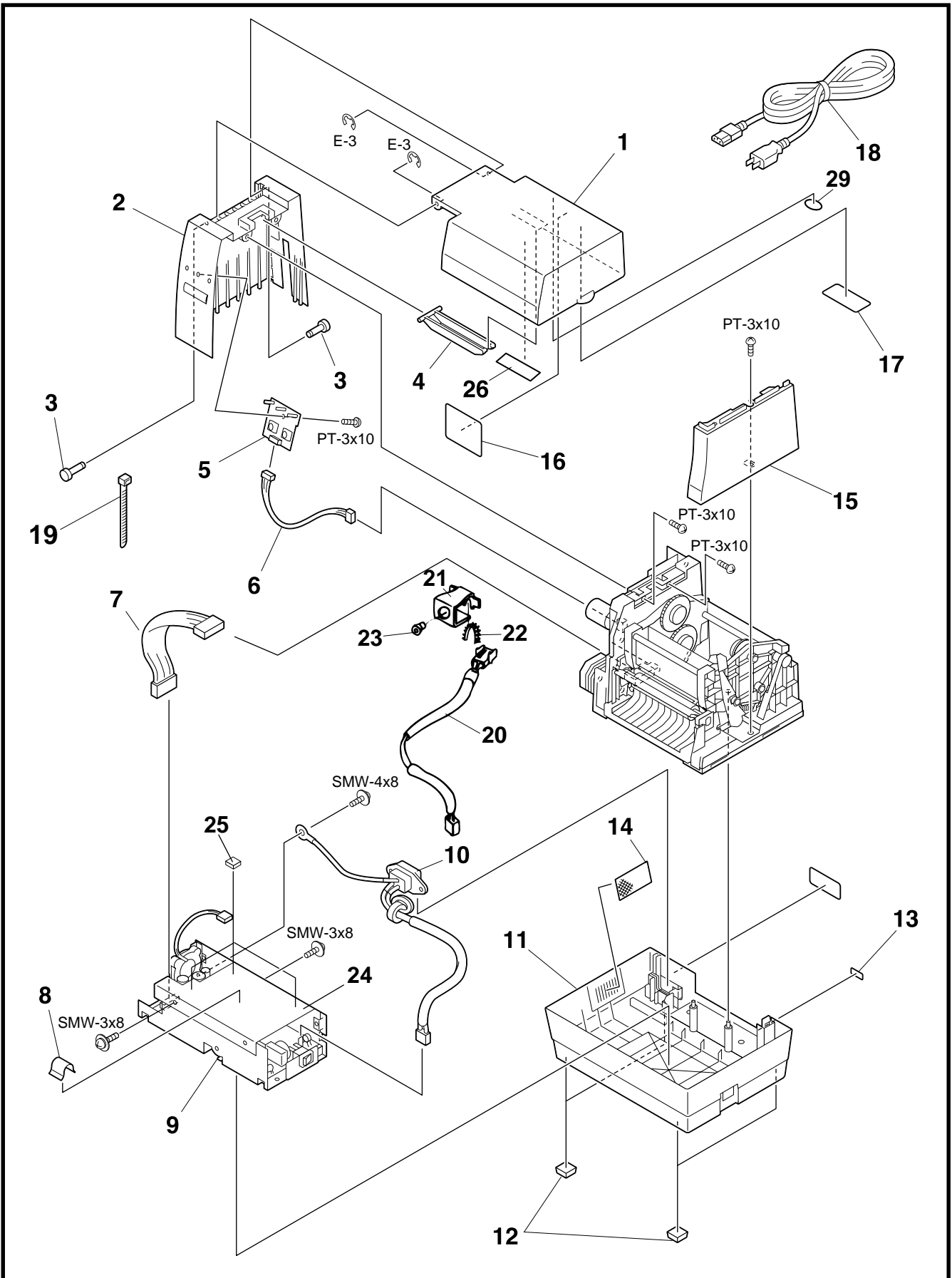
7) Parts with no reference numbers are irreplaceable and unauthorized as service parts.

- NOTES:**
1. The parts shown in this list may be modified by TOSHIBA TEC together with issuing the parts information, if necessary.
  2. The figures in this parts list are provided for reference and may be different from the actual parts in shape.
  3. Electronic parts with the same Ref. No. are interchangeable with each other unless their quantities are listed.
  4. For the underlined assembly parts, the components are available separately.

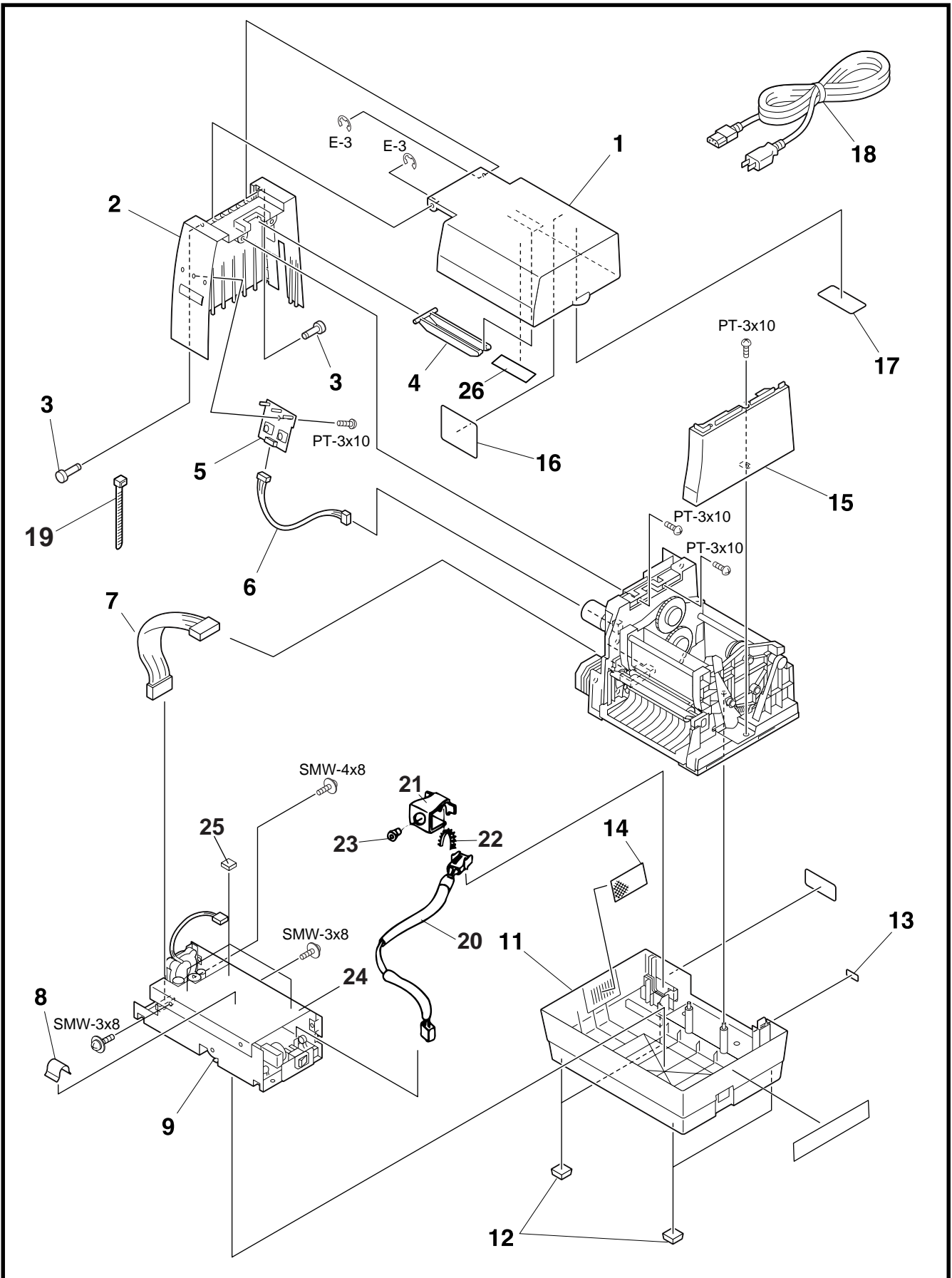
**BODY PARTS**

EO8-33003B  
B-450 SERIES MAY, 2000  
(Revision Date: Mar. 4, 2005)

**1 COVER BLOCK (TS/HS model)**



**1 COVER BLOCK (CHD model)**



1

## COVER BLOCK 1/2

Ref.No.	Part No.	Description	Remarks	*1	*2	*3	*4
1- 1	FMCC0046101	Top Cover		1	E		
1- 2	FMCC0045901	Side Cover L	TS-QQ	1	E		
	FMCC0045903	Side Cover L	TS-QP,CHD	1	E		
	FMCC0045904	Side Cover L	HS	1	E		
1- 3	FMDB0079801	Hinge Pin		2			
1- 4	FMHC0020401	Hinge Lever		1	E		
1- 5	FMBB0057901	KEY LED PC Board		1	E		
1- 6	FMCB0097001	KEY LED Harness		1	E		
1- 7	FMCB0096701	Power Harness	CHD	1	E		
	FMCB0117701	Power Harness 2	TS,HS Changed:7/'04	1	E		
1- 8	FMQB0069101	Sealed Clip	TS,CHD	1			
	FMQB0077701	Sealed Clip	HS	1			
1- 9	<del>V</del> DDB0001002	PS Unit	QQ	1	E		
	<del>F</del> MBC0101501		Changed:2/'02				
	<del>V</del> DDB0001002		Changed:8/'02				
	<del>8</del> VD00064200		Changed:7/'04				
	FMBC0102601		Changed:9/'04				
	<del>V</del> DDB0001101	PS Unit	TS-QP	1	E		
	<del>F</del> MBC0101502		Changed:2/'02				
	<del>V</del> DDB0001101		Changed:8/'02				
	<del>8</del> VD00064300		Changed:7/'04				
	FMBC0102602		Changed:9/'04				
	<del>V</del> DDB0001102	PS Unit	HS-QP	1	E		
	<del>F</del> MBC0101505		Changed:2/'02				
	<del>V</del> DDB0001102		Changed:8/'02				
	<del>8</del> VD00064300		Changed:7/'04				
	FMBC0102604		Changed:9/'04				
	<del>V</del> DDB0002601	PS Unit	CHD	1	E		
	<del>F</del> MBC0101504		Changed:2/'02				
	<del>V</del> DDB0002601		Changed:8/'02				
1-10	<del>F</del> MCB0096501	Inlet Ass'y	TS,HS	1	D		
	FMCB0117901		Changed:7/'04				
1-11	FMHE0008001	Bottom Cover		1	E		
1-12	FFC-0035001	Rubber Foot TM-166-18		6			
1-13	FMMB0064801	Lever Label	TS,CHD	1			
	FMMB0069601	Lever Label	HS	1			
1-14	FMQB0068401	Fan Filter Mesh		1			
1-15	FMHE0008501	Side Cover R	TS,CHD	1	E		
	FMCB0103601	Side Cover R	HS	1	E		

\*1: Q'ty/Unit \*2: Recommended Parts \*3: Revised Record \*4: New Parts

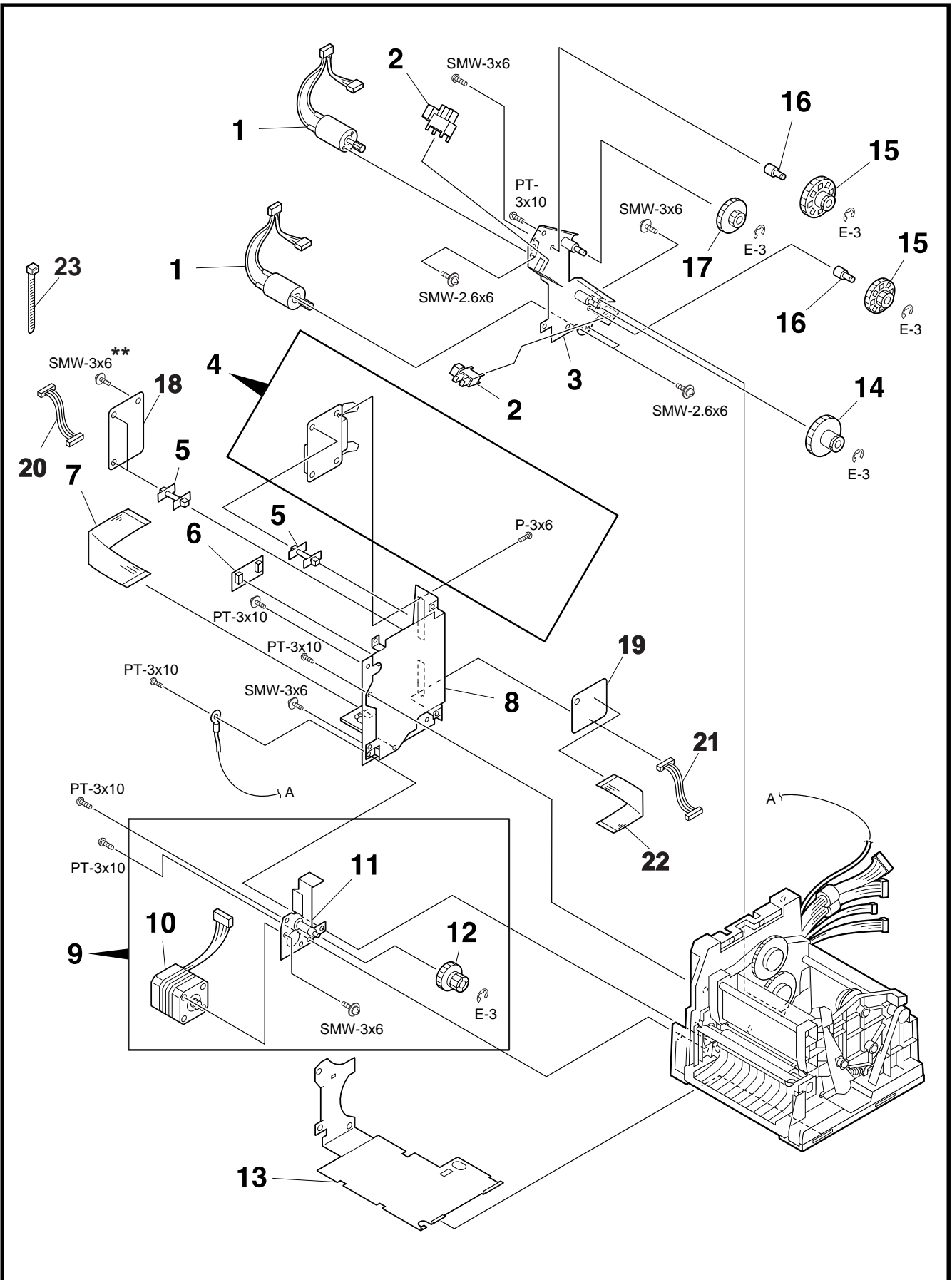
1

## COVER BLOCK 2/2

Ref.No.	Part No.	Description	Remarks	*1	*2	*3	*4
1-16	FMMC0020601	Paper Loading Label	TS	1			
	FMMC0024501	Paper Loading Label	HS	1			
			Corrected:8/2000				
1-17	FMMC0021001	QQ Standard Label	QQ,CHD	1			
	FMMB0062101	EU Standard Label	QP	1			
1-18	<del>FBCB0030202</del>	Power Cord	TS/HS-QQ	1	D		
			Accessory				
	7FM02531000		Changed: 9/'06				
	<del>H00436904A</del>	<del>Power Cord</del>	TS/HS-QP	1	D		
	EKA-0055001	Power Cord (EU cord)	Accessory				
			Changed:2/2001				
	E0-08200000	Power Cord (EU cord)	Added:9/'04				
	<del>EKA-0054002</del>	<del>Power Cord</del>	CN,Accessory	1	D		
			Added:9/2000				
	7FM01062000	Power Cord (CN)	Changed:3/05				
1-19	FDD-0094002	Fasten Band ELS-115	HS	1			
1-20	FMCC0049901	DCIN Harness	CHD	1	E		
1-21	FMEC0069501	DC Cable Attach Plate	CHD	1			
1-22	FFJ-0004001	Nylon Bush	CHD	1			
1-23	FDD-0156003	Cord Bush SR-7W-2	CHD	1			
1-24	FMED0032501	PSU Cover	CHD	1			
	FMEC0083701	PSU Cover	TS,HS	1			
			Added:7/'04				
1-25	FMQB0074301	DC-DC Stopper	CHD	1			
1-26	FMMB0070601	Standard Mark Label (CN)	CN	1			
			Added:9/2000				
1-27	FMQB0068901	Fan Motor	TS,HS	1	D		
			Added:7/'04				
1-28	FMEB0124401	Fan Motor Attachment Plate	TS,HS	1			
			Added:7/'04				
1-29	7FM01066000	CCC Label (CN)	CN				
			Added:3/'05				

\*1: Q'ty/Unit \*2: Recommended Parts \*3: Revised Record \*4: New Parts  
B1-4

**2** PCB & MOTOR BLOCK





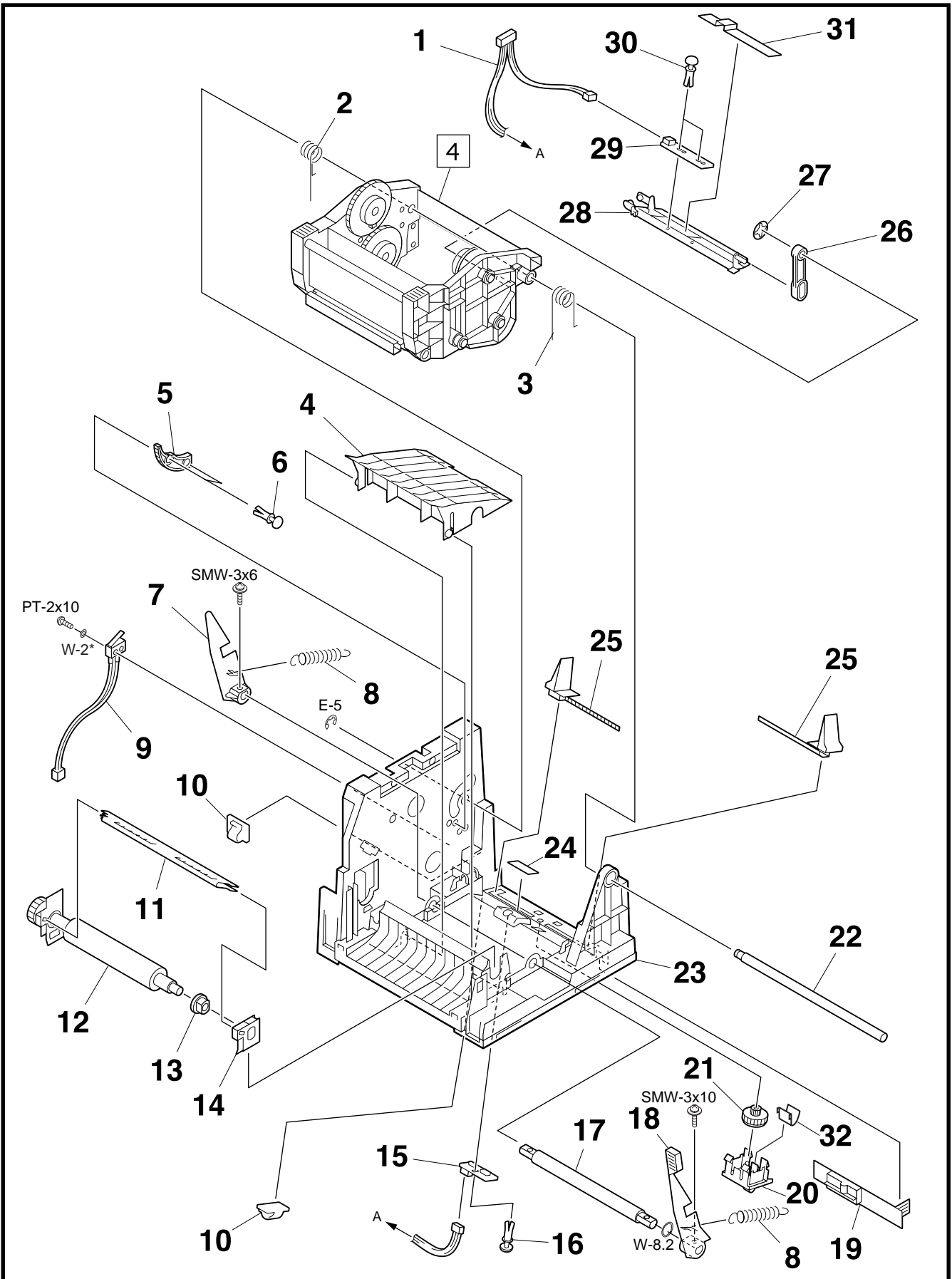
## 2

## PCB &amp; MOTOR BLOCK

Ref.No.	Part No.	Description	Remarks	*1	*2	*3	*4
2- 1	FMCB0096302 7FM00699000	Ribbon Motor	Changed:9/'04	2	E		
2- 2	DED-0029003 CO-01612000	Slit Sensor TLP1242 (C6) Slit Sensor TLP1242 (C6)	Added:3/'04	2	B		
2- 3	<del>FMCC0046801</del> FMCC0046803	Ribbon Motor Attaching Plate	Changed:11/'04	1			
2- 4	FMBC0071601	CENTRO PC Board	TS-QP,HS,CHD TS-QQ:Option (B-7704-C-QM)	1	E		
2- 5	FDB-0133001	Locking Support WLS-16-0	TS-QP,CHD TS-QQ:Option (B-7704-C-QM) HS	1			
2- 6	FMBB0058301	Flash PC Board (for FMBC0071501 1MB CPU PC Board Ass'y)	QP QQ:Option (B-7804-E1M-QM)	1	E		
2- 7	FMQB0067801	CENTRO Flat Cable	TS-QP,HS,CHD TS-QQ:Option (B-7704-C-QM)	1	E		
2- 8	FMBC0080702 FMBC0082105 FMBC0080701	CPU PC Board Ass'y (Serv. No. B-292-12) CPU PC Board Ass'y (Serv. No. B-305-05) CPU PC Board Ass'y (Serv. No. B-292-11)	TS HS CHD	1 1 1	E E E		
2- 9	FMBC0073301 FMBC0073302	Stepping Motor Ass'y Stepping Motor Ass'y	TS,CHD HS	1 1			
2-10	EFA-0043001	Stepping Motor STP42D202-01		1	E		
2-11	FMCB0095101	Stepping Motor Attaching Plate		1			
2-12	FMHB0030901 FMHB0033401	Platen Gear Platen Gear	TS,CHD HS	1 1	D D		
2-13	FMEE0015501	Ground Plate		1			
2-14	FMHB0031701	Ribbon Motor Gear B		1	D		
2-15	FMHB0031001	Ribbon Slit Gear		2	D		
2-16	FMDB0078601	Ribbon Slit Gear Stud		2			
2-17	FMHB0031101	Ribbon Motor Gear A		1	D		
2-18	FMBC0082201	HEAD600 CONT PC Board (Serv. No. B-308-01)	HS	1			
2-19	FMBC0082301	600 EXP I/O PC Board (Serv. No. B-309-01)	HS	1			
2-20	FMCB0102101	Relay Harness	HS	1			
2-21	FMCB0102201	EXP I/O Harness	HS	1			
2-22	FMQB0075001	600 FPC Cable	HS	1			
2-23	FDC-0010001 FO-01277000	Fasten Band ALT096S TC-100 Cable Band CV-100	HS Added:11/'03	1			

\*1: Q'ty/Unit \*2: Recommended Parts \*3: Revised Record \*4: New Parts

**3** FRAME BLOCK (TS/QQ-CHD model)

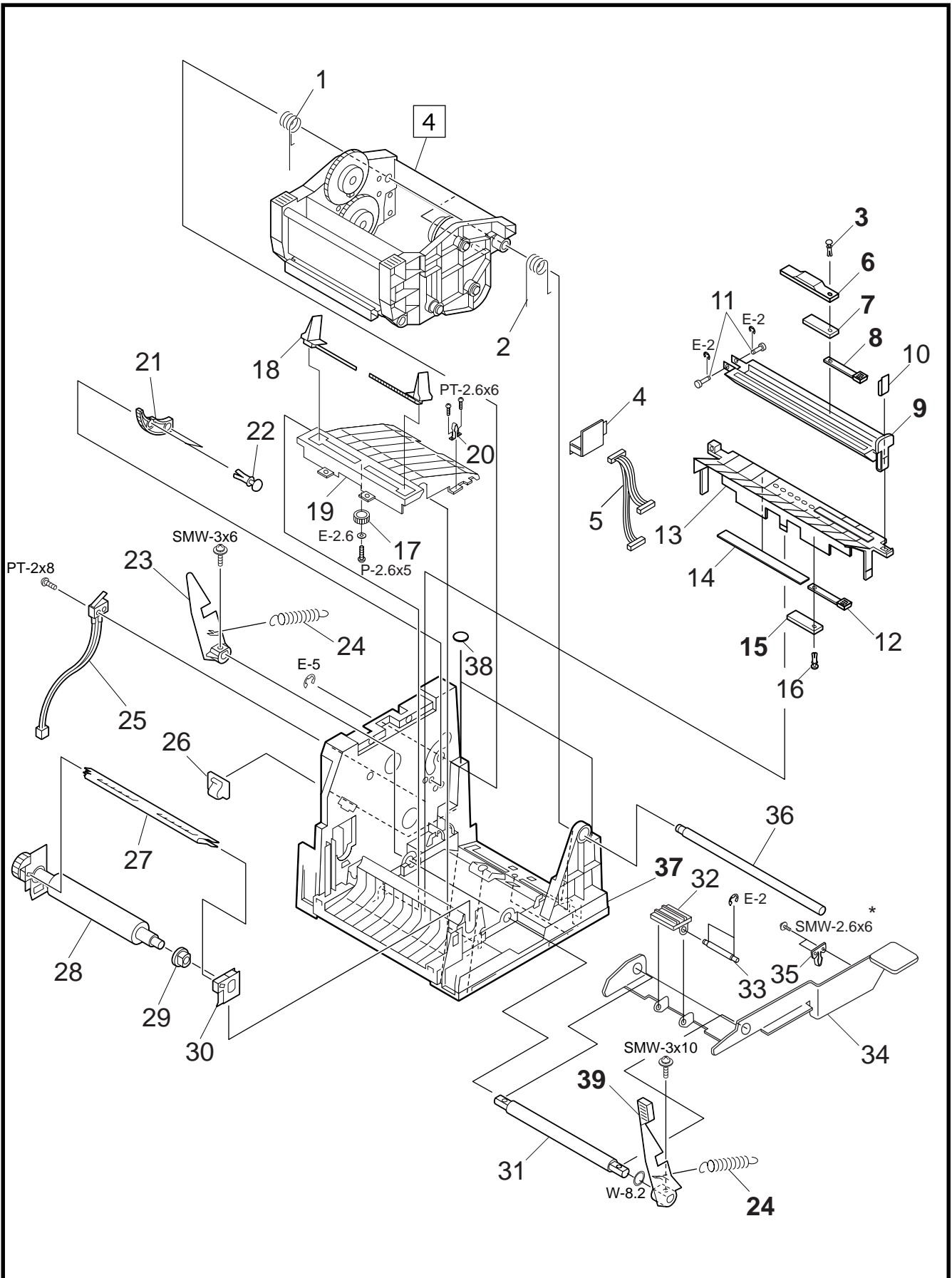


<b>3</b>	<b>FRAME BLOCK (TS/QQ-CHD model)</b>
----------	--------------------------------------

Ref.No.	Part No.	Description	Remarks	*1	*2	*3	*4
3- 1	FMCB0097101	Sensor Harness		1	E		
3- 2	FMKB0009101	Head Block Open Spring L		1			
3- 3	FMKB0009001	Head Block Open Spring R		1			
3- 4	FMHD0011101	Paper Guide Base		1			
3- 5	FMHC0018701	Damper Gear		1	D		
3- 6	FFJ-0107001	Rivet P3100		2			
3- 7	FMHC0019401	Head Release Lever L		1			
3- 8	FMKB0010601	Head Release Spring		2			
3- 9	FMCB0096401	Head Up Switch		1	E		
3-10	FDA-0005001	Cable Clip MSC-1		2			
3-11	<del>FMEC0063301</del> FMGC0000201	Paper Scale	TS Changed:3/'05	1			
3-12	FMCC0045801	Platen		1	B		
3-13	FAF-0006006	Shaft Holder B-F8-112		1			
3-14	FMHC0019001	Platen Holder		1			
3-15	FMBB0057801	Sensor PCB (LED)		1	E		
3-16	FFJ-0080007	Rivet P2032 (B)		1			
3-17	FMDC0011601	Head Lock Shaft		1			
3-18	FMHD0011301	Head Release Lever R		1			
3-19	FMHC0020001	Paper Guide Lock		1			
3-20	FMHC0019901	Paper Guide Holder		1			
3-21	FMHC0019801	Paper Guide Gear		1	D		
3-22	FMDC0011401	Ribbon Holder Shaft		1			
3-23	<del>FMHE0008101</del> FMHE0008102	Frame Base	Changed:9/'02	1			
3-24	FMQB0066801	Sensor Cover B		1			
3-25	FMHD0011201	Paper Guide		2			
3-26	FMHB0031801	Sensor Holder Arm		1			
3-27	FFG-0013002	Nylon Bush TM-137-4		1			
3-28	FMHE0008301	Sensor Holder		1			
3-29	FMBB0058401	Sensor PCB (TR)		1	E		
3-30	FFF-0040001	Rivet P2048		2			
3-31	FMQB0068301	Sensor Cover Sheet		1			
3-32	FMEB0127001	Holder Spring		1			

\*1: Q'ty/Unit \*2: Recommended Parts \*3: Revised Record \*4: New Parts

**3-1** FRAME BLOCK (HS model)



**3-1** FRAME BLOCK (HS model) 1/2

Ref.No.	Part No.	Description	Remarks	*1	*2	*3	*4
3- 1	FMKB0009101	Head Block Open Spring L		1			
3- 2	FMKB0009001	Head Block Open Spring R		1			
3- 3	FFJ-0080009	Rivet P2048 (B)		2			
3- 4	FMQB0077101	Sensor Harness Guide		1			
3- 5	FMCC0051601	Sensor Harness		1	E		
3- 6	FMHC0023901	PCB Cover		1			
3- 7	FMBB0061501	Sensor PCB (TR)		1	E		
3- 8	FMHC0024001	Slide Button Top		1			
3- 9	FMHE0010201	Sensor Holder		1			
3-10	FMEB0129001	Lock Spring		1			
3-11	FMDB0083901	Sensor Shart		2			
3-12	FMHC0024101	Slide Button Bottom		1			
3-13	FMHE0010301	Sensor Base		1			
3-14	FMQB0076001	Sensor Cover		1			
3-15	FMBB0061401	Sensor PCB (LED)		1	E		
3-16	FFJ-0080008	Rivet P2040(B)		1			
3-17	FMHB0033201	Pinion		1			
3-18	FMHD0012201	Paper Guide		2			
3-19	FMHE0010101	Paper Guide Base		1			
3-20	FMEB0128901	Catch Plate		1			
3-21	FMHC0018701	Damper Gear		1	D		
3-22	FFJ-0107001	Rivet P3100		2			
3-23	FMHC0019401	Head Release Lever L		1			
3-24	FMKB0010601	Head Release Spring		2			
3-25	FMCB0096401	Head Up Switch		1	E		
3-26	FDA-0005001	Cable Clip MSC-1		1			
3-27	<del>FMEC0063301</del> FMGC0000201	Paper Scale	Changed:3/'05	1			
3-28	FMCC0045802	Platen		1	B		
3-29	FAF-0006006	Shaft Holder B-F8-112		1			
3-30	FMBB0061701	Platen Holder		1			

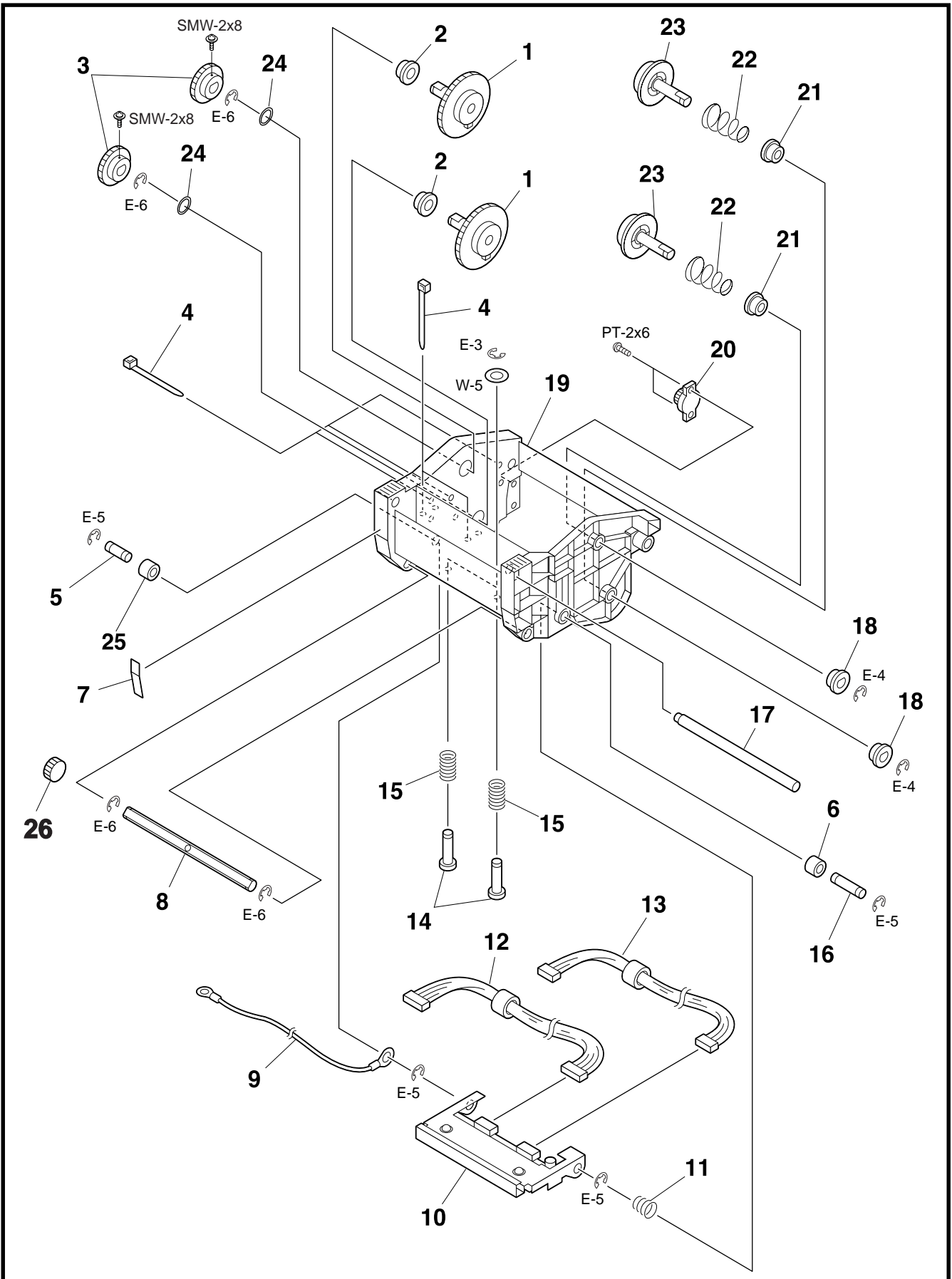
\*1: Q'ty/Unit \*2: Recommended Parts \*3: Revised Record \*4: New Parts

**3-1****FRAME BLOCK (HS model) 2/2**

Ref.No.	Part No.	Description	Remarks	*1	*2	*3	*4
3-31	FMDC0011601	Head Lock Shaft		1			
3-32	FMCB0103301	Rack Lock Plate		1			
3-33	FMDB0083401	Rack Fulcrum Shaft		1			
3-34	FMEC0070501	Guide Lock Lever		1			
3-35	FFF-0051001	Catch Plate Holder TL-118		1			
3-36	FMDC0011401	Ribbon Holder Shaft		1			
3-37	<del>FMHE0008101</del> FMHE0008102	Frame Base	Changed:9/'02	1			
3-38	FFC-0008006	Cushion TM-182-808-10		2			
3-39	FMHD0011301	Head Release Lever R		1			

\*1: Q'ty/Unit \*2: Recommended Parts \*3: Revised Record \*4: New Parts

**4 PRINT HEAD BLOCK**



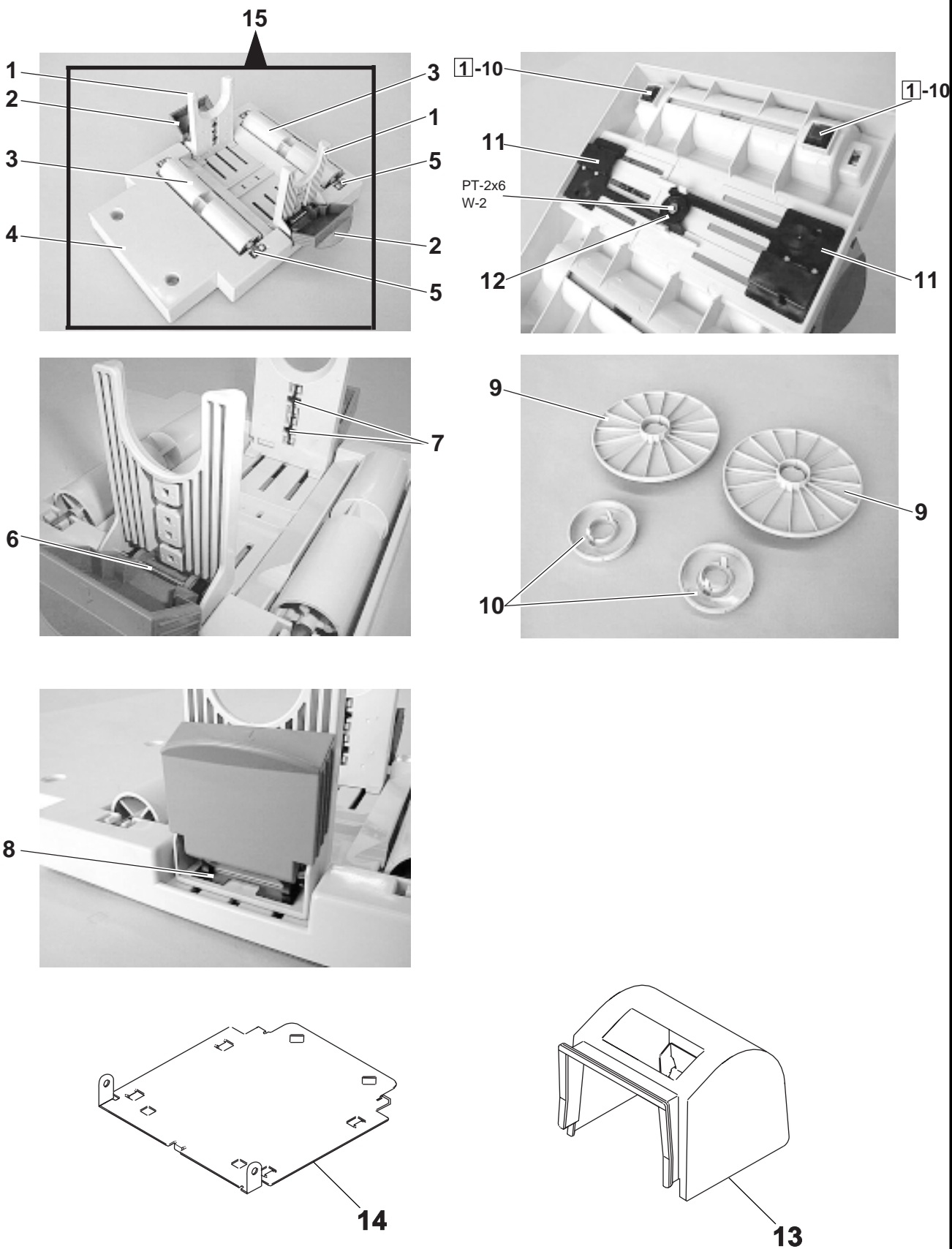
<b>4</b>	<b>PRINT HEAD BLOCK</b>
----------	-------------------------

Ref.No.	Part No.	Description	Remarks	*1	*2	*3	*4
4- 1	<del>FMCB0098001</del> FMCB0098002	Ribbon Core Holder	Changed:5/2001	2			
4- 2	FAF-0006005	Shaft Holder B-F8-23		2			
4- 3	<del>FMHC0019501</del> FMHC0019502	Ribbon Gear	Changed:3/2001	2	D		
4- 4	FDC-0010001 FO-01277000	Cable Band ALT096S TC-100 Cable Band CV-100	Added:11/'03	5			
4- 5	FMDB0082201	Head Pin L		1			
4- 6	FAF-0074001	M Liner (R-ML0606)	HS	1			
4- 7	FMCC0021101	PL Caution Label		1			
4- 8	FMDC0011901 FMDC0012701	Ribbon Tension Shaft Ribbon Tension Shaft	TS,CHD HS	1 1			
4- 9	FMCB0098301	Head Ground Wire		1			
4-10	<del>FMBC0073201</del> FMBC0073202 FMBC0087501	Print Head Ass'y Print Head Ass'y	TS,CHD Changed:2/'03 HS	1 1	A A		
4-11	FMKB0009401 FMKB0011302	Head Lock Spring Head Lock Spring	TS,CHD HS	1 1			
4-12	FMCB0096801 FMCC0051001	Head Harness (Signal) Head Harness (Signal)	TS,CHD HS	1 1	E E		
4-13	FMCB0096901 FMCB0102001	Head Harness (Power) Head Harness (Power)	TS,CHD HS	1 1	E E		
4-14	FMDB0079201 FMDB0083801	Head Stud Head Stud	TS,CHD HS	2 2			
4-15	FMKB0010001 FMKB0011401	Head Spring Head Spring	TS,CHD HS	2 2			
4-16	FMDB0079001	Head Pin R		1			
4-17	FMDC0012401 FMCB0106101	Ribbon Guide Shaft Ribbon Guide Shaft	<del>TS,CHD</del> HS Changed:8/2000 TS Changed:3/'02	1 1 1			
4-18	FMHB0031401	Ribbon Core Lever		2			
4-19	FMHE0008202	Head Block Frame		1			
4-20	HZC-0035001	Damper FRT-NE12		1			
4-21	FAF-0046001	Shaft Holder B-F6-51		2			
4-22	FMKB0008901	Ribbon Core Spring		2			
4-23	FMCB0097901	Ribbon Core Guide		2			
4-24	FMQB0071101	Ribbon Spacer		2			
4-25	FAF-0074002	M Liner (R-ML0608)					
4-26	FMDB0083701	Ribbon Tension Nut	HS	1			

\*1: Q'ty/Unit \*2: Recommended Parts \*3: Revised Record \*4: New Parts



**5** SUPPLY HOLDER UNIT



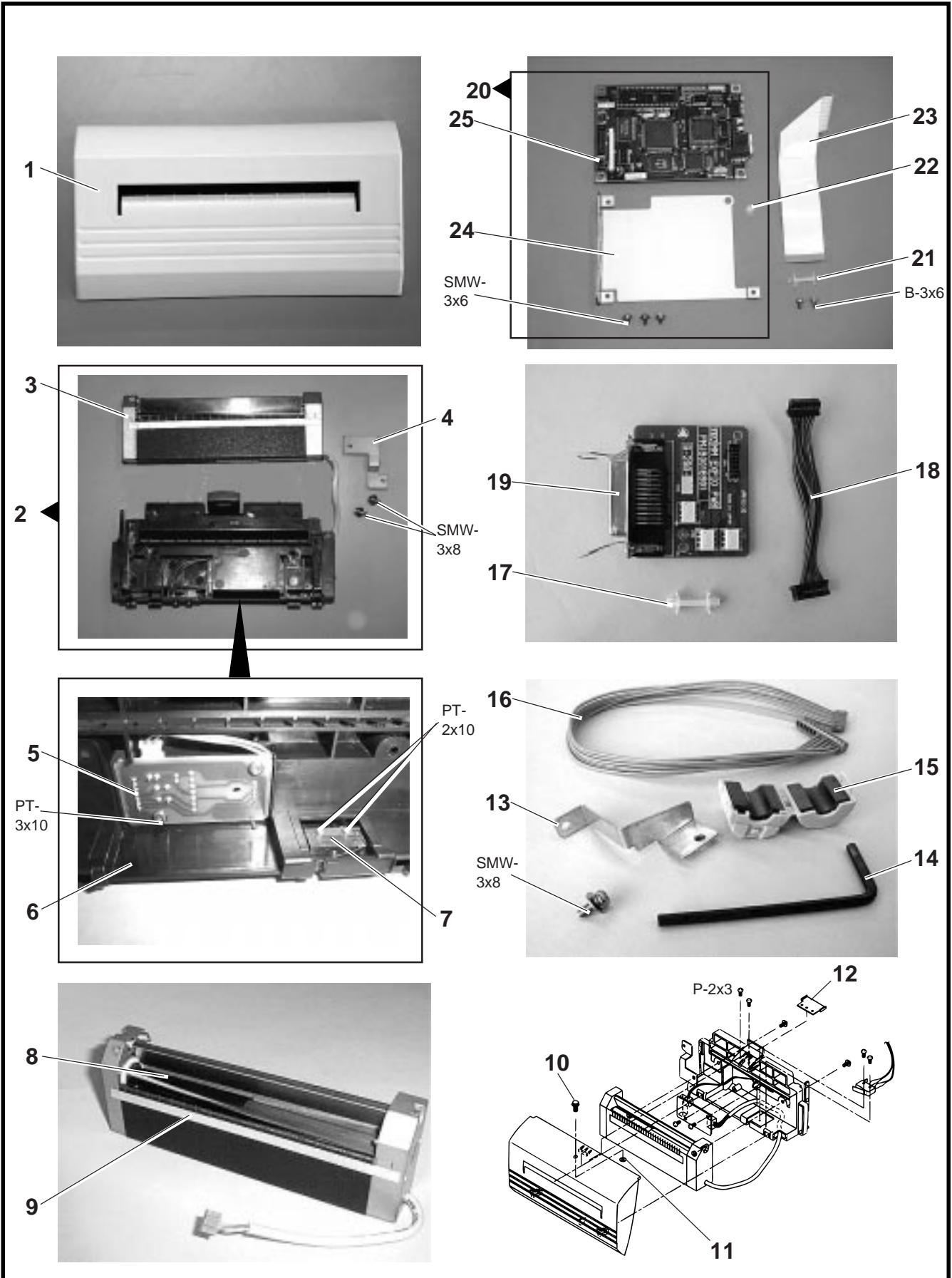
**NOTE:** Ref. No. 5-15 contains Ref. No. 5-1 to 5-12.

**5****SUPPLY HOLDER UNIT**

Ref.No.	Part No.	Description	Remarks	*1	*2	*3	*4
5- 1	FMHD0010601	Supply Guide		2			
5- 2	<del>FMEB0122801</del> FMHC0020601	Supply Guide Lock Lever	Corrected:2/'03	2			
5- 3	FMHD0010701	Supply Holder Roller		2			
5- 4	FMHE0008401	Supply Holder Base		1			
5- 5	FAF-0013003	Shaft Holder B-S6-146		4			
5- 6	FMDB0079301	Lever Shaft		2			
5- 7	FMHB0031601	Roller		4			
5- 8	<del>FMHC0020601</del> FMEB0122801	Supply Lever Plate	Corrected:2/'03	2			
5- 9	FMHD0010801	Supply Holder	Accessory	2	C		
5-10	FMHD0010901	Spacer	Accessory	2	C		
5-11	FMHC0020101	Supply Rack Gear		2	D		
5-12	FMHB0031501	Supply Gear		1	D		
5-13	FMCC0051701	Dust Cover	Accessory HS	1			
5-14	FMCB0103501	Dust Cover Base Unit	Accessory HS	1			
5-15	<del>FMBD0039401</del>	<u>Supply Holder Base Unit</u>	Added:10/'03	1			

\*1: Q'ty/Unit \*2: Recommended Parts \*3: Revised Record \*4: New Parts

**6** OPTIONAL KIT (1)

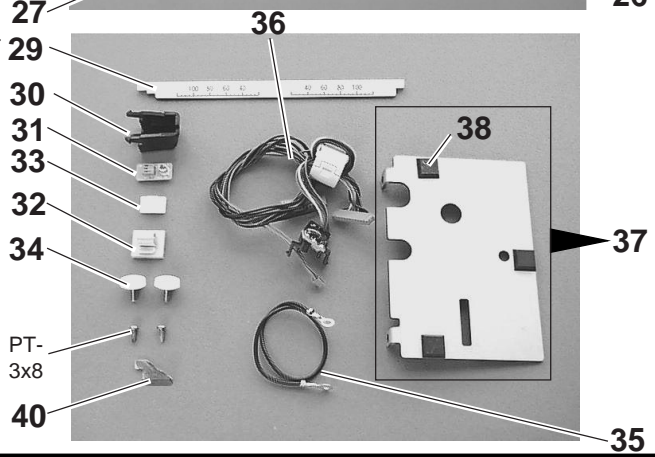
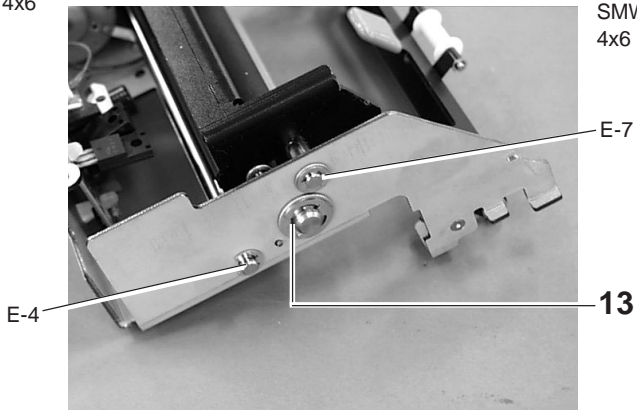
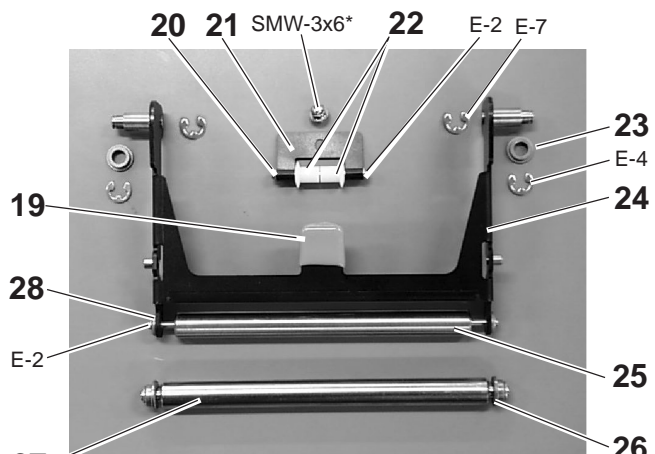
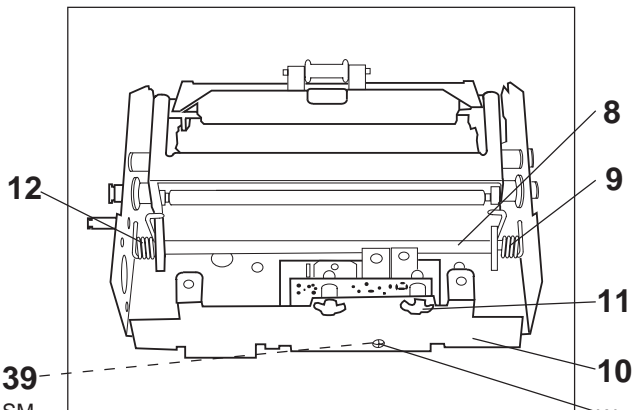
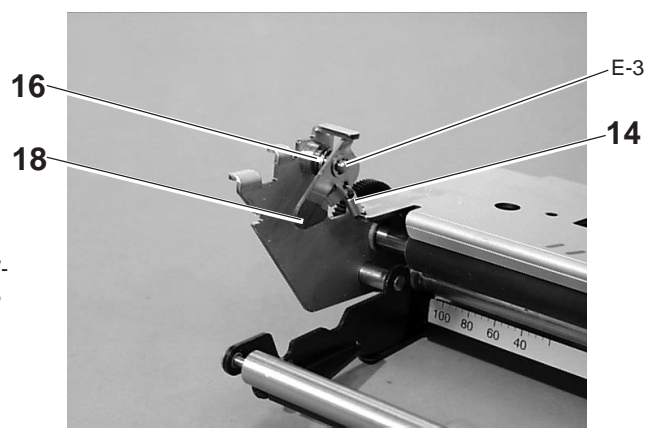
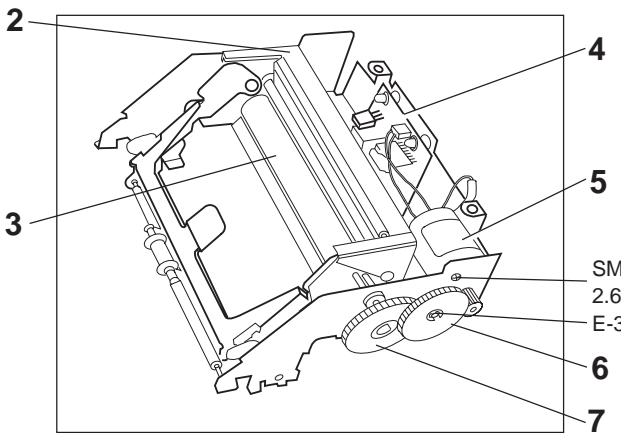
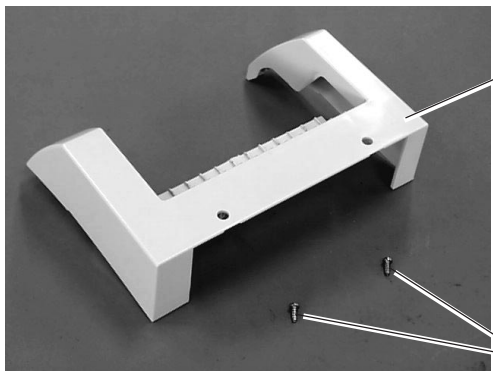


<b>6</b>	<b>OPTIONAL KIT (1)</b>
----------	-------------------------

Ref.No.	Part No.	Description	Remarks	*1	*2	*3	*4	
<b>B-7204-QM</b>								
6- 1	<del>FMHE0008701</del> FMCC0062501	Cutter Cover	B-7204-QM Changed: 8/2001	1	E			
	FMHE0008702	Cutter Cover	CHD	1	E			
6- 2	FMBC0074903	Cutter Unit Ass'y	B-7204-QM	1				
	FMBC0074905	Cutter Unit Ass'y	Service Part CHD Service part Added: 9/' 05	1				
6- 3	FMCB0099501	Cutter Ass'y		1	E			
6- 4	FMEC0066601	Cutter Ground Plate A		1				
6- 5	FMBB0058901	Cutter PC Board		1	E			
6- 6	FMHE0008602	Cutter Holder		1				
6- 7	FMCB0098501	Cutter Cover Open Switch		1	E			
6- 8	FMQB0072201	Cutter Guide Sheet		2				
6- 9	FMQB0072301	Cutter Brush		1				
6-10	FFL-0001003	Plastic Head Screw M-3x8	CHD	1				
6-11	FFG-0003001	Washer TM-147 N05563	CHD	1				
6-12	FMEB0127101	Holder Plate	CHD	1				
6-13	FMEC0066701	Cutter Ground Plate B		1				
6-14	HZA-0015002	Allen Wrench		1				
6-15	DDA-0263002	Ferrite Core TFT-08-18-13		1				
6-16	FMCB0097601	Cutter Harness		1	E			
<b>B-7704-IO-QM</b>								
6-17	FDB-0133001	Locking Support WLS-16-0	B-7704-IO-QM	1				
6-18	FMCB0097801	EXPIO Harness	B-7704-IO-QM	1	E			
6-19	FMBC0071701	EXPIO PC Board	B-7704-IO-QM	1	E			
<b>B-7704-LAN-QM</b>								
6-20	FMBC0077001	LAN Board Ass'y	B-7704-LAN-QM	1				
6-21	FDB-0133001	Locking Support WLS-16-0	B-7704-LAN-QM	1				
6-22	FDB-0048002	Nylon Rivet CS-5S	B-7704-LAN-QM	1				
6-23	FMQB0069801	LAN Flat Cable	B-7704-LAN-QM	1	E			
6-24	FMEC0066801	LAN Board Attaching Plate	B-7704-LAN-QM	1				
6-25	GO-00339000	LAN Board	B-7704-LAN-QM	1				
<table border="1" style="width: 100%;"> <tr> <td><b>NOTE:</b> Part with no part number (indicated by "-----") is available only in an option kit.</td> </tr> </table>								<b>NOTE:</b> Part with no part number (indicated by "-----") is available only in an option kit.
<b>NOTE:</b> Part with no part number (indicated by "-----") is available only in an option kit.								

\*1: Q'ty/Unit \*2: Recommended Parts \*3: Revised Record \*4: New Parts

**7** OPTIONAL KIT (2) (STRIP MODULE: B-7904-H-QM)



7

## OPTIONAL KIT (2) (STRIP MODULE: B-7904-H-QM) 1/2

Ref.No.	Part No.	Description	Remarks	*1	*2	*3	*4
7- 1	FMHE0009201	Strip Cover		1	E		
7- 2	FMCB0101601	Push Roller Plate		1			
7- 3	FMQC0040601	Strip Roller		1	B		
7- 4	<del>FMBC0068301</del> FMBC0068302	PWM PC Board Ass'y	Changed:9/2000	1	E		
7- 5	FMCB0100601	Strip Motor		1	E		
7- 6	FMHB0024001	Ribbon Idler Gear		1			
7- 7	FMHC0022401	Strip Gear		1			
7- 8	FMDC0012301	Fulcrum Shaft		1			
7- 9	FMKB0010301	Guide Roller Spring R		1			
7-10	FMCD0018401	Strip Frame		1			
7-11	FDB-0063003	Locking Support LCS-6S	Reduced:9/2000	3			
7-12	FMKB0010201	Guide Roller Spring L		1			
7-13	FAF-0025001	Shaft Holder B-F8-10		2			
7-14	<del>FGB-0012002</del> FMKB0011101	Spring E-621 Holder Lock Spring	Changed:4/'02	2			
7-15	FMEB0126801	Attach Plate		1			
7-16	FMKB0009401	Head Lock Spring		2			
7-17	<del>FMEB0125501</del> FMEB0125502	Hook Plate R	Changed:4/'02	1			
7-18	<del>FMEB0125601</del> FMEB0125602	Hook Plate L	Changed:4/'02	1			
7-19	FMQB0072601	Edge Guard		1			
7-20	FMDB0080501	Strip Guide Shaft		1			
7-21	FMEB0126301	Strip Roller Plate		1			
7-22	FMHB0015401	Roller		2			
7-23	<del>FAF-0022001</del> FMDB0094801	Shaft Holder B-F5-53 Strip Spacer	Changed:9/'02	2			
7-24	<del>FMCC0049501</del> FMCC0049502	Strip Lever	Changed:9/'02	1			
7-25	FMDB0081901	Strip Guide Roller B		1			
7-26	FAF-0049001	Shaft Holder B-F4-15		2			
7-27	FMDB0081801	Strip Guide Roller (A)		1			
7-28	FAF-0004001	Shaft Holder B-F3-1		2			
7-29	FMGC0000201	Strip Plate	Accessory	1			
7-30	FMHC0018801	Strip Sensor Cover	Accessory	1			

\*1: Q'ty/Unit \*2: Recommended Parts \*3: Revised Record \*4: New Parts

7

## OPTIONAL KIT (2) (STRIP MODULE: B-7904-H-QM) 2/2

Ref.No.	Part No.	Description	Remarks	*1	*2	*3	*4
7-31	FMBB0058001	Strip Sensor PC Board (LED)	Accessory	1			
7-32	EMA00-01800	Cable Clamp DKN-5	Accessory	1			
7-33	FDA-0055001	Cable Clip MSC-1	Accessory	1			
7-34	24741710408	Screw M-4x8	Accessory	2			
7-35	FMCB0100501	Ground Wire	Accessory	1			
7-36	FMCB0099001	Strip Sensor	Accessory	1	E		
7-37	FMCB0100901	Strip Base	Accessory	1			
7-38	FFC-0022002	Rubber Foot TM-166-B	Accessory	3			
7-39	HDA-0021015	Spacer ASB-406	Added:9/2000	1			
7-40	FMEB0131901	Strip Plate L	Added:1/2001	1			
<del>7-41</del>	<del>HBQB0039301</del>	<del>Poly slider Washer</del>	Added:10/'01 Deleted:4/'02	<del>±</del>			

\*1: Q'ty/Unit \*2: Recommended Parts \*3: Revised Record \*4: New Parts

<b>8</b>	<b>MISCELLANEOUS PARTS 1/2</b>
----------	--------------------------------

Ref.No.	PartNo.	Description	Remarks	*1	*2	*3	*4
B-3x6	X01B0306130	Bind Screw M-3x6					
D-3x5	X0-00314000	Dish Head Screw M-3x5	Added:7/'04				
P-2x3	X0110203130	Pan Head Screw M-2x3					
P-3x6	X0110306140	Pan Head Screw M-3x6					
P-3x10	X0-00088000	Pan Head Screw M-3x10	Added:7/'04				
PT-2x6	X0610206133	P-Tite Screw M-2x6					
PT-2x8	X0610208133	P-Tite Screw M-2x8					
PT-2x10	X0610210133	P-Tite Screw M-2x10					
	X0-00586000	P-Tite Screw M-2x10	Interchangeable Added:4/'02				
PT-2.6x5	X0612F05133	P-Tite Screw M-2.6x5					
PT-2.6x6	X0612F06133	P-Tite Screw M-2.6x6					
PT-3x8	X0610308133	P-Tite Screw M-3x8					
PT-3x10	X0610310133	P-Tite Screw M-3x10					
SM-4x6	X0110406131	Sems Screw M-4x6	Added:10/'01				
SMW-2x8	X0110208136	Double Sems Screw M-2x8	Added:5/2001				
SMW-2.6x5	X0112F05137	Double Sems Screw M-2.6x5					
SMW-2.6x6	X0112F06136	Double Sems Screw M-2.6x6					
	X0-00292000	Double Sems Screw M-2.6x6	Added:3/'04				
SMW-2.6x6*	X0112F06137	Double Sems Screw M-2.6x6					
SMW-3x4	X0-00041000	Double Sems Screw M-3x4	Added:7/'04				
SMW-3x5*	X0110305131	Double Sems Screw M-3x5	Small washer type				
SMW-3x5	X0110305137	Double Sems Screw M-3x5					
SMW-3x6	X0110306137	Double Sems Screw M-3x6					
	X0-00056000	Double Sems Screw M-3x6	Added:3/'04				
SMW-3x6*	X0110306167	Double Sems Screw M-3x6					
SMW-3x6**	X0110306147	Double Sems Screw M-3x6					
SMW-3x8	X0110308137	Double Sems Screw M-3x8					
	X0-00073000	Double Sems Screw M-3x8	Added:7/'04				
SMW-3x10	X0110310137	Double Sems Screw M-3x10					
SMW-4x6	X0110406137	Double Sems Screw M-4x6					
SMW-4x6*	X0110406136	Double Sems Screw M-4x6	Small washer type				
SMW-4x8	X0110408136	Double Sems Screw M-4x8	Small washer type				
	X0-00160000	Double Sems Screw M-4x8	Added:7/'04				

\*1: Q'ty/Unit \*2: Recommended Parts \*3: Revised Record \*4: New Parts

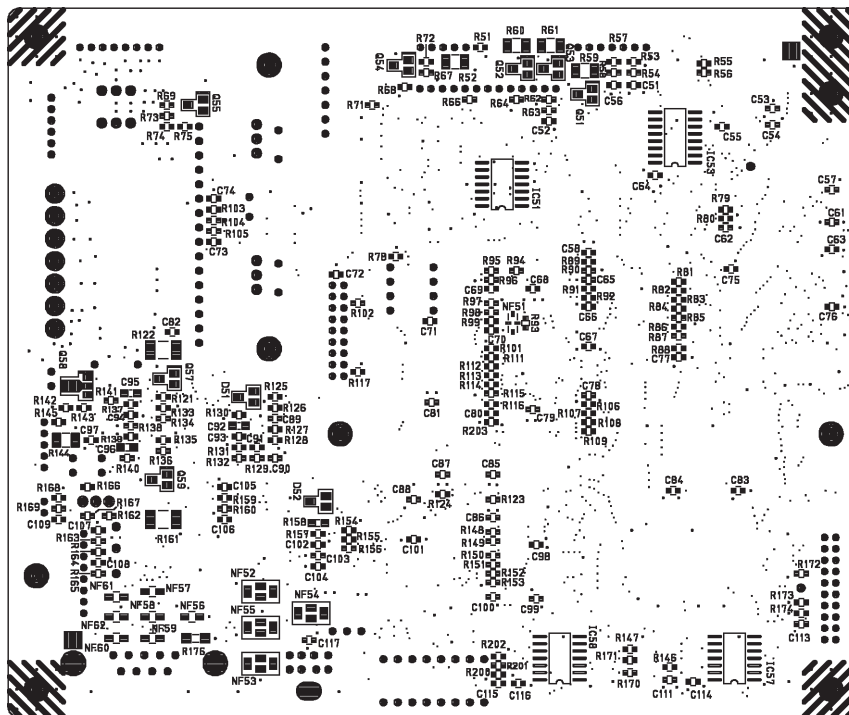
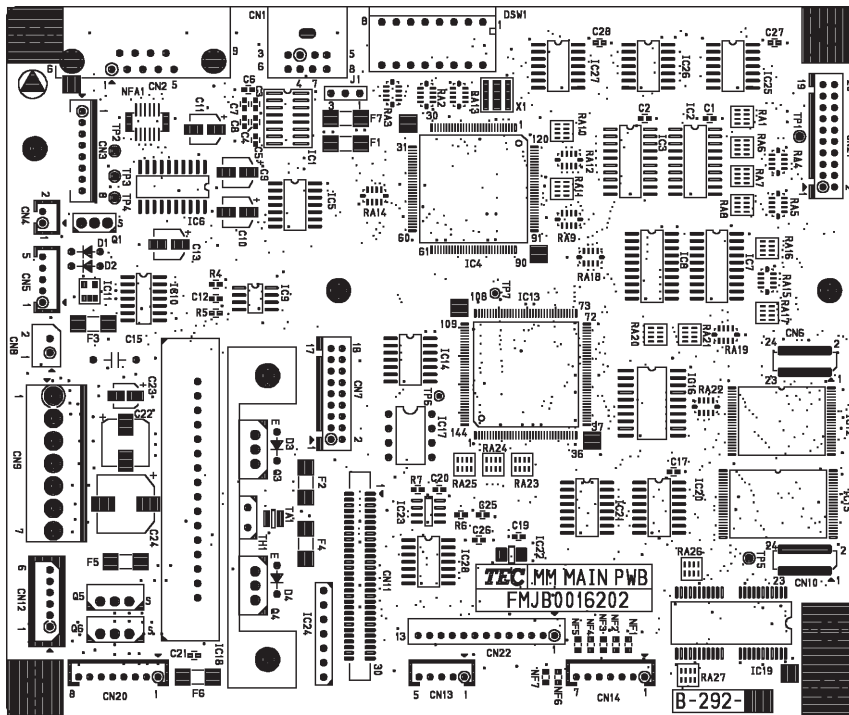


<b>8</b>	<b>MISCELLANEOUS PARTS 2/2</b>
----------	--------------------------------

Ref.No.	PartNo.	Description	Remarks	*1	*2	*3	*4
E-2	X722020040A	E-type Retaining Ring M-2					
E-2.6	X0610206133	E-type Retaining Ring M-2.6					
E-3	X722030040A	E-type Retaining Ring M-3					
	X0-00964000	E-type Retaining Ring M-3	Added:3/'04				
E-4	X722040040A	E-type Retaining Ring M-4					
E-5	X722050040A	E-type Retaining Ring M-5					
E-6	X722060040A	E-type Retaining Ring M-6					
E-7	X722070040A	E-type Retaining Ring M-7					
W-2	X7170200130	Washer M-2					
W-2*	X0-00916000	Washer M-2	Small washer type Added:4/'02				
W-5	X7170500130	Washer M-5					
W-4.1	X914A6E0EG0	Thrust Washer M-4.1x6.5x0.5	Added:4/'02				
W-8.2	X918B140EG0	Thrust Washer M-8.2x14x0.5					

\*1: Q'ty/Unit \*2: Recommended Parts \*3: Revised Record \*4: New Parts

1 CPU PC BOARD ASS'Y (TS/CHD model)



**1 CPU PC BOARD ASS'Y (TS/CHD model) 1/8**

Ref.No.	Part No.	Description	Remarks	*1	*2	*3	*4
	FMBC0080702	CPU PC Board Ass'y (SERV No. B-292-12)	TS	1	E		
	FMBC0080701	CPU PC Board Ass'y (SERV No. B-292-11)	CHD	1	E		
IC1	<del>CAH 0151001</del> <del>CAH 0233002</del> <del>CO 04830001</del> C0-12095001 C0-11856001	<del>IC LT1381CS E2</del> <del>IC HIN202CBN</del> <del>IC HIN202CBN T</del> IC HIN202CBNZ-T IC LT1381CS#/TRPBF	Interchangeable Changed:12/2000 Changed 3/'05 Changed:6/'06	1	E		R
IC2,7	<del>CAM 024522A</del> C0-08569001	<del>CMOS IC TC74VHC245F (TP1)</del> CMOS IC TC74VHC245F (EL F)	Changed 3/'05	2	E		R
IC3,8	<del>CAM 057322A</del> C0-08577001	<del>CMOS IC TC74VHC573 (TP1)</del> CMOS IC TC74VHC573F (EL F)	Changed 3/'05	2	E		R
IC4	<del>CAA 0330001</del> C0-03344000	<del>IC UPD70433GJ-16-3EB</del> IC UPD70433GJ-16-3EB	Changed 3/'05	1	E		
IC5,28	<del>CAM 001422A</del> C0-08562001	<del>CMOS IC TC74VHC14F (TP1)</del> CMOS IC TC74VHC14F (EL F)	Changed 3/'05	2	E		R
IC6	<del>CAH 0071001</del> C0-03426001	<del>IC MC145407FR1</del> IC MC145407FR1	Changed 3/'05	1	E		
IC9	<del>CAG 0185001</del> C0-09754001	<del>IC BA10393F T1</del> IC BA10393F-E2	Changed 3/'05	1	E		R
IC10	<del>CAG 0522001</del> C0-09749001	<del>IC BA10324AF-E2</del> IC BA10324AF-E2	Changed 3/'05	1	E		R
IC11	<del>CAQ 0008001</del> C0-01550001	<del>CMOS IC TC7S08F (TE85R)</del> CMOS IC TC7S08F (TE85R)	Changed 3/'05	1	E		
IC13	<del>CAJ 0435001</del> C0-12233000	<del>IC UPD65643GJ 054 3EN</del> <del>EC M212</del> IC UPD65643GJ0543ENA EC-M212	Changed:6/'05	1	E		
IC14	<del>CAG 0439001</del> C0-05264001	<del>IC M62354FP</del> IC M62354FP 70ND	Changed 3/'05	1	E		
IC15	FMBC0074401 FMBC0074402	P-ROM P-ROM	TS CHD	1 1			
IC16	<del>CAJ 0313006</del> C0-06703000	<del>PAL IC PALCE16V8H 15SC/4</del> <del>EC M245</del> PAL IC EC-M245 GAL16V8D-15LS	Changed:2/2003	1	E		
IC17	<del>CAD 0288001</del> <del>CO 04552000</del> C0-10514001 C0-12151000 C0-13390000 EAA 2390001 <del>EAB 0163003</del> E0-00151000	<del>ROM M93C46 BN6</del> ROM AT93C46-10SU-2.7 SL383 ROM M93C46-WBN6P ROM AT93C46-10PU-1.8 <del>IC Socket 2 641260 3</del> IC Socket 390261-2	Changed 3/'05 Changed:6/'06 Added: 5/2006 Added: 5/2006 Changed:2/2001 Changed 3/'05	1 1 1 1	E		R R

<b>1</b>	<b>CPU PC BOARD ASS'Y (TS/CHD model) 2/8</b>
----------	--

Ref.No.	Part No.	Description	Remarks	*1	*2	*3	*4
IC18	<del>CAK-0056001</del> <del>CO-02248000</del>	<del>IC STK6712AMK4</del>	Changed 3/'05	1	E		
	CO-10337000	IC STK6712AMK4-E	Changed:9/'05				R
IC19	CAC-0434001	IC UPD4218160G5-60-7JF		1	E		
	<del>CAE-0391007</del> CO-04798000	IC KM416C1200CT-6	Changed 3/'05				
	<del>CAE-0509002</del> CO-04820000	IC GM71C18160CT-6	Changed 3/'05				
	CO-05665000	IC K4F151611D-TC60	Added:2/'02				
	CO-13498000	IC MSM5118160F-60TS-K	Added: 4/'06				
IC20,21,53	<del>CAM-015722A</del>	<del>CMOS IC TC74VHC157F (TP1)</del>		3	E		
	CO-08563001	CMOS IC TC74VHC157F (EL F)	Changed 3/'05				R
IC22	<del>CAQ-0050003</del> CO-08632001	<del>IC TC7W241FU</del> IC TC7W241FU (TE12L F)	Changed 3/'05	1	E		R
IC23	<del>CAQ-0041001</del> CO-08623001	<del>IC TC7W04F</del> IC TC7W04F (TE12L F)	Changed 3/'05	1	E		R
IC24	<del>CAQ-0015001</del> CO-00921000	<del>IC TA8428K</del> IC TA8428K (S)	Changed 3/'05	1	E		R
IC25,27,51	<del>CAM-000022A</del>	<del>CMOS IC TC74VHC00F (TP1)</del>		3	E		
	CO-08552001	CMOS IC TC74VHC00F (EL F)	Changed 3/'05				R
IC26	<del>CAM-001022A</del> CO-08556001	<del>CMOS IC TC74VHC10F (TP1)</del> CMOS IC TC74VHC10F (EL F)	Changed 3/'05	1	E		R
IC29	<del>CAD-0278021</del> CO-07899000	<del>IC TSOP48P</del> MBM29F800TA-70PFTN IC TSOP48P	Changed 3/'05				R
		MBM29F800TA-70PFTN-E1					
IC57	<del>CAM-003222A</del> CO-08572001	<del>CMOS IC TC74VHC32F (TP1)</del> CMOS IC TC74VHC32F (EL F)	Changed 3/'05	1	E		R
IC58	<del>CAM-007422A</del> CO-08578001	<del>TTL IC TC74VHC74F</del> TTL IC TC74VHC74F (EL F)	Changed 3/'05	1	E		R
D1-4	<del>CBE-0085001</del> CO-09544001	Diode AM01Z	Changed 3/'05	4			R
D51	<del>CBE-0049006</del> CO-00471001	Chip Diode 1SS187 (TE85R)	Changed 3/'05	1			
D52	<del>CBE-0246001</del> CO-00476001	Chip Diode 1SS294 (TE85R)	Changed 3/'05	1			
Q1	<del>CBQ-0164001</del> CO-10697000	<del>XISTOR. 2SK1059</del> XISTOR. 2SK1059-AZ	Changed 3/'05	1			R
Q3,4	<del>CBA-0326001</del> CO-10850000	XISTOR. 2SD1838	Changed 3/'05	2			R
SMW-3x8*	X0110308136	Double Sems Screw M-3x8 Chromate	(Small washer)	2			
Q5,6	<del>CBQ-0162001</del> CO-07337000	<del>XISTOR. 2SJ495</del> XISTOR. 2SJ495-AZ	Changed 3/'05	2			R

<b>1</b>	<b>CPU PC BOARD ASS'Y (TS/CHD model) 3/8</b>
----------	--

Ref.No.	Part No.	Description	Remarks	*1	*2	*3	*4
Q51-53,55	<del>CBC-0017001</del> C0-07391001	<del>Chip XISTOR. FA1A4M-T1B</del> Chip XISTOR. FA1A4M-T1B-A	Changed 3/'05	4			R
Q54,57,59	<del>CBA-0088001</del> C0-07352001	<del>Chip XISTOR. 2SC1621-T1B</del> Chip XISTOR. 2SC1621-T1B-A	Changed 3/'05	3			R
Q58	<del>CBQ-0041019</del> C0-08744001	<del>Chip XISTOR. 2SK2615</del> Chip XISTOR. 2SK2615 (TE12L F)	Changed 3/'05	1			R
TA1	<del>CBC-0061001</del> C0-00683001	XISTOR. Array RN4602(TE85R)	Changed 3/'05	1			
		<i>&lt;Chip RSTR.&gt;</i>					
R4,72,132,159	<del>DBK-472JA5A</del> <del>D0-19410001</del> D0-23928001	<del>MCR03EZHZ472 4.7k ohm</del>  MCR03EZPJ472 4.7k ohm	Changed 3/'05 Changed:12/'06	4			R R
R5	<del>DBK-563JA5A</del> <del>D0-19423001</del> D0-24723001	<del>MCR03EZHZ563 56k ohm</del>  MCR03EZPJ563 56k ohm	Changed 3/'05 Changed:12/'06	1			R R
R6,7,53,57,62, 64,66,67,69, 71,78,89-92, 106-109,116, 117,124,126, 128,142,148, 151-156,167, 168,172	<del>DBK-103JA5A</del> <del>D0-19327001</del> D0-23895001	<del>MCR03EZHZ103 10k ohm</del>  MCR03EZPJ103 10k ohm	Changed 3/'05 Changed:12/'06	35			R R
R51,145	<del>DBK-912JA5A</del> <del>D0-19448001</del> D0-25614001	<del>MCR03EZHZ912 9.1k ohm</del>  MCR03EZPJ912 9.1k ohm	Changed 3/'05 Changed:12/'06	2			R R
R52,59-61,144	<del>DBK-221JA2A</del> D0-20198001	<del>MCR25JZHJ221 220 ohm</del>	Changed 3/'05	5			R
R54,58,63,123, 150,157,169, 200	<del>DBK-102JA5A</del> <del>D0-19326001</del> D0-23893001	<del>MCR03EZHZ102 1k ohm</del>  MCR03EZPJ102 1k ohm	Changed 3/'05 Changed:12/'06	8			R R
R55,56,82-87, 94-99,101,102, 111-115,149	<del>DBK-470JA5A</del> <del>D0-19408001</del> D0-23926001	<del>MCR03EZHZ470 47 ohm</del>  MCR03EZPJ470 47 ohm	Changed 3/'05 Changed:12/'06	22			R R
R73,74,143, 166	<del>DBK-100JA5A</del> <del>D0-19324001</del> D0-23889001	<del>MCR03EZHZ100 10 ohm</del>  MCR03EZPJ100 10 ohm	Changed 3/'05 Changed:12/'06	4			R R
R75	<del>DBK-822JA5A</del> <del>D0-19443001</del> D0-23942001	<del>MCR03EZHZ822 8.2k ohm</del>  MCR03EZPJ822 8.2k ohm	Changed 3/'05 Changed:12/'06	1			R R
R79-81,88,201	<del>DBK-000JA5A</del> <del>D0-19553001</del> D0-23887001	<del>MCR03EZHZ000 0 ohm</del>  MCR03EZPJ000 0 ohm	Changed 3/'05 Changed:12/'06	5			R

\*1: Qty/Unit \*2: Recommended Parts \*3: Revised Record \*4: RoHS

**1 CPU PC BOARD ASS'Y (TS/CHD model) 4/8**

Ref.No.	Part No.	Description	Remarks	*1	*2	*3	*4
R93	<del>DBK-101JA5A</del> <del>D0-19325001</del> D0-23891001	<del>MCR03EZHJ101 100 ohm</del> MCR03EZPJ101 100 ohm	Changed 3/'05 Changed:12/'06	1			R R
R103	<del>DBK-681FB5A</del> D0-19638001	MCR03EZPFX6800 680 ohm	Changed 3/'05	1			R
R104,138,141	<del>DBK-683FB5A</del> D0-19640001	MCR03EZPFX6802 68k ohm	Changed 3/'05	3			R
R105	<del>DBK-103FB5A</del> D0-19453001	MCR03EZPFX1002 10k ohm	Changed 3/'05	1			R
R121,140	<del>DBK-221JA5A</del> <del>D0-19367001</del> D0-23915001	<del>MCR03EZHJ221 220 ohm</del> MCR03EZPJ221 220 ohm	Changed 3/'05 Changed:12/'06	2			R R
R122	<del>DBK-221JA1A</del> D0-20317001	MCR50JZHJ221 220 ohm	Changed 3/'05	1			R
R125	<del>DBK-113JA5A</del> <del>D0-19334001</del> D0-25554001	<del>MCR03EZHJ113 11k ohm</del> MCR03EZPJ113 11k ohm	Changed 3/'05 Changed:12/'06	1			R R
R127,160	<del>DBK-104JA5A</del> <del>D0-19328001</del> D0-23897001	<del>MCR03EZHJ104 100k ohm</del> MCR03EZPJ104 100k ohm	Changed 3/'05 Changed:12/'06	2			R R
R129	<del>DBK-222JA5A</del> <del>D0-19368001</del> D0-23916001	<del>MCR03EZHJ222 2.2k ohm</del> MCR03EZPJ222 2.2k ohm	Changed 3/'05 Changed:12/'06	1			R R
R130	<del>DBK-224JA5A</del> <del>D0-19370001</del> D0-23972001	<del>MCR03EZHJ224 220k ohm</del> MCR03EZPJ224 220k ohm	Changed 3/'05 Changed:12/'06	1			R R
R131	<del>DBK-682JA5A</del> <del>D0-19434001</del> D0-25602001	<del>MCR03EZHJ682 6.8k ohm</del> MCR03EZPJ682 6.8k ohm	Changed 3/'05 Changed:12/'06	1			R R
R133,135	<del>DBK-223JA5A</del> D0-19369001 D0-23917001	MCR03EZHJ223 22k ohm MCR03EZPJ223 22k ohm	Changed 3/'05 Changed:12/'06	2			R R
R134,136	<del>DBK-163JA5A</del> <del>D0-19353001</del> D0-25564001	<del>MCR03EZHJ163 16k ohm</del> MCR03EZPJ163 16k ohm	Changed 3/'05 Changed:12/'06	2			R R
R137,139	<del>DBK-153FB5A</del> D0-19483001	MCR03EZPFX1502 15k ohm	Changed 3/'05	2			R
R158	<del>DBK-470JA4A</del> D0-19978001	MCR10EZHJ470 47 ohm	Changed 3/'05	1			R
R161	<del>DBK-151JA4A</del> D0-20306001	MCR50JZHJ151 150 ohm	Changed 3/'05	1			R

\*1: Qty/Unit \*2: Recommended Parts \*3: Revised Record \*4: RoHS

1	CPU PC BOARD ASS'Y (TS/CHD model) 5/8
---	---------------------------------------

Ref.No.	Part No.	Description	Remarks	*1	*2	*3	*4
R163,173	<del>DBK-123FB5A</del> D0-19465001	MCR03EZPFX1202 12k ohm	Changed 3/'05	2			R
R164	<del>DBK-823JA5A</del> <del>D0-19444001</del>	MCR03EZHJ823 82K ohm	Changed 3/'05	1			R
R165	D0-25613001 <del>DBK-393JA5A</del> <del>D0-19401001</del> D0-23925001	MCR03EZPJ823 82k ohm MCR03EZHJ393 39k ohm	Changed:12/'06	1			R R
RA1,6-8,10,11, 16,17,20,21, 23-27	<del>DBP-0015038</del> D0-20289001	Chip RSTR. Array MNR14E0AJ470 47 ohm	Changed 3/'05	15			R
RA2-5,9,12-15, 18,19,22	<del>DBP-0294001</del> D0-23073001	RSTR. Array RNA4A8E103JT 10k ohm	Changed 3/'05	12			
C1,2,17,19-21, 25,27,28,53, 54,58,61, 63-65,67-69, 71,74,76-88, 90,94,97-101, 104,106,107, 111,113,114, 116,118,303	<del>DAB-103MK15</del> D0-04100001	<b>&lt;Chip CAP.&gt;</b> <del>GRM39B103K50PT 0.01μF</del> GRM188B11H103KA01D 0.01μF 50V	Changed 3/'05	51			R
C3-8,26,51,52, 56,62,72,89, 91,93,103, 105,108,109	<del>DAB-104HM06</del> D0-04098001	<del>GRM39F104Z25PT 0.1μF</del> GRM188F11E104ZA01D 0.1μF	Changed 3/'05	19			R
C9-11,13	<del>DAA-100HM14</del> D0-18359001	UWT1E100MCR1GB 10μF	Changed 3/'05	4			
C12	<del>DAB-561MK09</del> D0-07520001	<del>GRM39B561K50PT 560pF</del> GRM188B11H561KA01D 560pF	Changed 3/'05	1			R
C22	<del>DAA-221CM57</del> D0-18388001	<del>UWX1A221MCR1GB 220μF</del> UWX1A221MCL1GB 220μF	Changed 3/'05	1			
C23	<del>DAA-100FM04</del> D0-18391001	<del>UWX1C100MCR1GB 10μF</del> UWX1C100MCL1GB 10μF	Changed 3/'05	1			
C24	<del>DAA-101MM27</del> D0-18291001	<del>UUR1H101MNT 100μF</del> UUR1H101MNL1GS 100μF	Changed 3/'05	1			
C55,57,75,302	<del>DAB-100MM01</del> D0-04085001	<del>GRM39CH100D50PT 10pF</del> GRM1882C1H100JZ01D 10pF	Changed 3/'05 Deleteded C302 Corrected:7/'05	3			R
C66	<del>DAB-821MK06</del> D0-07747001	<del>GRM39B821K50PT 820pF</del> GRM188B11H821KA01D 820pF50V	Changed 3/'05	1			R

1	CPU PC BOARD ASS'Y (TS/CHD model) 6/8
---	---------------------------------------

Ref.No.	Part No.	Description	Remarks	*1	*2	*3	*4
C70,73,102	<del>DAB-101MJ21</del> D0-04102001	<del>GRM39CH101J-50PT-100pF</del> GRM1882C1H101JA01D 100pF50V	Changed 3/'05	3			R
C92,95,96	<del>DAB-104MZ11</del> D0-05722001	<del>GRM40F104Z50PT-0.1μF</del> GRM219F11H104ZA01D 0.1μF50V	Changed 3/'05	3			R
C115	<del>DAB-391MJ05</del> D0-07495001	<del>GRM39CH391J50PT-390pF</del> GRM1882C1H391JA01D 390pF50V	Changed 3/'05	1			R
C15	<del>DAC-334MK03</del> D0-23315000	Film CAP. CQ92M1H334KB 0.33μF	Changed 3/'05	1			
		<b>&lt;CONN.&gt;</b>					
CN1	<del>EAA-0457001</del> E0-01300000	TCS7588-01-201	Changed 3/'05	1			R
CN2	<del>EAA-2589001</del> <del>E0-04631000</del> E0-08153000	<del>17LE-13090-27 (D4CK)</del> 17LE-1309027 (D4CK)-FA	Changed 3/'05 Changed 5/'06	1			
CN3	<del>EAA-1738018</del> <del>E0-00758000</del> E0-08528000	<del>53253-0810</del> 53253-0870	Changed 3/'05 Changed 5/'06	1			
CN4	<del>EAA-0142010</del> E0-01964000	IL-S-2P-S2T2-EF	Changed 3/'05	1			R
CN5,13	<del>EAA-0156001</del> E0-01970000	IL-S-5P-S2T2-EF	Changed 3/'05	2			R
CN6,10	E0-05269001	52465-2491	Added CN6,10 Corrected:7/2005	2			
CN7	<del>EAA-2309001</del> <del>E0-01443000</del> E0-07701000	<del>DF11-18DP-2DSA</del> DF11-18DP-2DSA(08)	Changed 3/'05 Changed:7/'06	1			R
CN8	<del>EAA-0294019</del> E0-00645000	<del>5267-02A</del> 5627-02A-X	Changed 3/'05	1			R
CN9	<del>EAA-0863001</del> <del>E0-07480000</del> E0-10679000	<del>B7P-VH</del> <del>B7P-VH (LF)</del> B7P-VH (LF) (SN)	Changed 3/'05 Deleted:7/'06 Added: 4/'06	1			R
CN11	<del>EAA-2932002</del> E0-00918001	52610-3090	Changed 3/'05	1			
CN12	<del>EAA-0290004</del> E0-00618000	53014-0610	Changed 3/'05	1			R
CN14	<del>EAA-0561001</del> E0-01974000	IL-S-7P-S2T2-EF	Changed 3/'05	1			R
CN20	<del>EAA-0142021</del> E0-01976000	IL-S-8P-S2T2-EF	Changed 3/'05	1			R
CN21	<del>EAA-0214007</del> <del>E0-02488000</del> E0-07702000	<del>DF11-20DP-2DSA</del> DF11-20DP-2DSA(08)	Changed 3/'05 Changed:7/'06	1			R



1

## CPU PC BOARD ASS'Y (TS/CHD model) 7/8

Ref.No.	Part No.	Description	Remarks	*1	*2	*3	*4
CN22	<del>EAA-0142020</del> E0-01961000	IL-S-13P-S2T2-EF	Changed 3/'05	1			R
DSW1	<del>EBC-0007004</del> E0-02291000	DIP Switch KSP08	TS Changed 3/'05	1			
	<del>EBC-0065001</del> E0-02314000	DIP Switch KS-08	CHD Changed 3/'05	1			
F1,2,4,7	<del>EHA-0171001</del> E0-03831001 E0-09125001	<del>Fuse 451001</del> Fuse 0451 001MR Fuse 0453001.MR	Changed 3/'05 Added:12/'06	4	D		R
F3	<del>EHA-0206001</del> E0-03828001 E0-08943001	<del>Fuse 451.500</del> Fuse 0451 500MR Fuse 0453.500MR	Changed 3/'05	1	D		
F5,6	<del>EHA-0205001</del> E0-03858001 E0-08553001	<del>Fuse 45101.5</del> Fuse 0451 01.5MR Fuse 045301.5MR	Changed 3/'05 Added:12/'06	2	D		R
NF1-7,56-62	<del>DDH-0068007</del> D0-04457001	<del>Noise Filter BLM21B201S</del> Noise Filter BLM21BB201SN1D	Changed 3/'05	14	D		R
NF52-54	<del>DDA-0118001</del> D0-05468001	<del>Noise Filter NFM41R11C222</del> Noise Filter NFM41CC222R2A3L	Changed 3/'05	3	D		R
NF55	<del>DDA-0116001</del> D0-12472001	<del>Noise Filter NFM41R00C221</del> Noise Filter NFM41CC221U2A3L	Changed 3/'05	1	D		R
NFA1	<del>DDA-0234001</del> D0-05461001	Noise Filter Array <del>NFA62R00C470</del> NFA6CCC470S1H6L	Changed 3/'05	1	D		
TH1	<del>CCB-0032003</del> D0-22855000	Thermistor PTH9M04BE222TS2F333	Changed 3/'05	1			R
SMW-3x6	<del>X0110306137</del> X0-00056000	Double Sems Screw M-3x6 Chromate	Changed 3/'05	2			
X1	<del>DCD-0338004</del> D0-07749001	<del>Crystal CSTCS32.00MX040</del> Crystal CSTCS32.00MX040-TC	Changed 3/'05	1	D		R
J1	<del>EAA-2516001</del> E0-00991000	Short Pin <del>5548-03A</del>	Changed 3/'05	1			
	E0-09965000	00 9067 033 000 801+	Changed 5/'06				
	<del>EAA-2517001</del> E0-00877000	Short Pin Connector <del>90059-0013</del>	Changed 3/'05	1			R
	E0-09966000	00 9067 020 000 805+	Changed 5/'06				

\*1: Qty/Unit \*2: Recommended Parts \*3: Revised Record \*4: RoHS

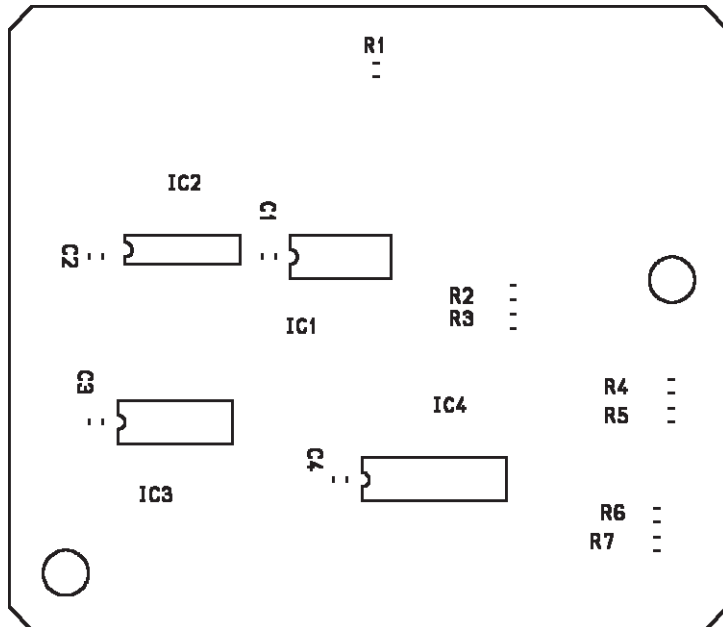
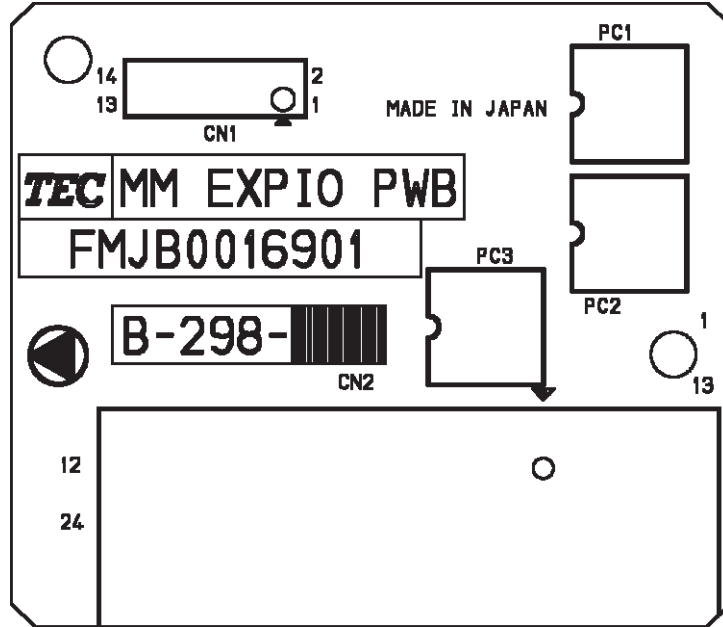
1

## CPU PC BOARD ASS'Y (TS/CHD model) 8/8

Ref.No.	Part No.	Description	Remarks	*1	*2	*3	*4
SMW-3x8	FMEB0124001	Heat Sink		1			R
	FMED0032701	PCB Support Plate	TS	1			R
	FMED0032702	PCB Support Plate	CHD	1			R
	<del>X0110308157</del>	Double Sems Screw		2			
	<del>X0-00072000</del>	<del>M-3x8 Chromate</del>	Changed 3/'05				
	X0-00076000	Double Sems Screw M3x8	Changed 1/'07				R

\*1: Qty/Unit \*2: Recommended Parts \*3: Revised Record \*4: RoHS

2 EXPIO PC BOARD (TS/CHD model)

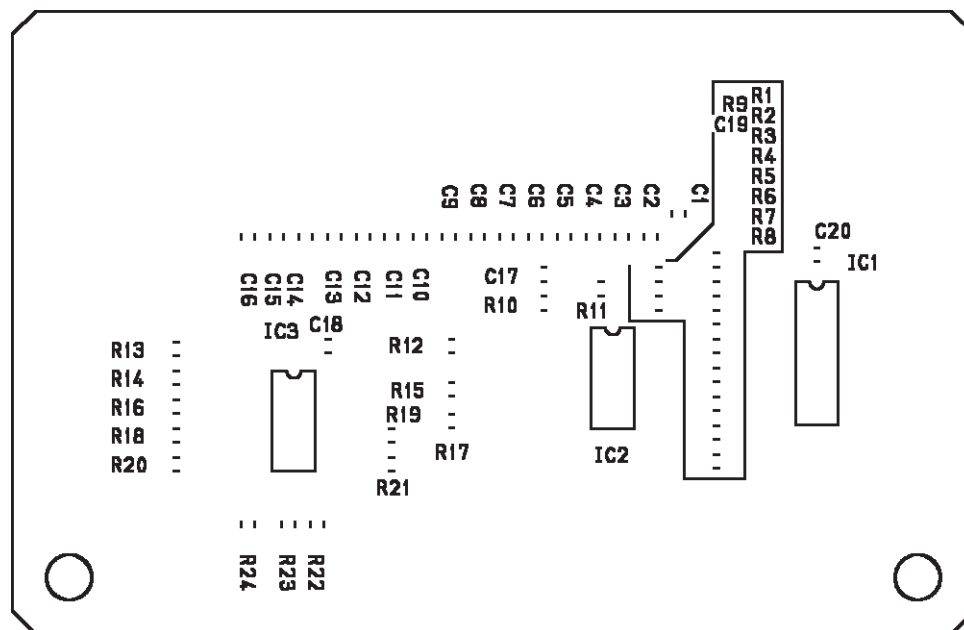
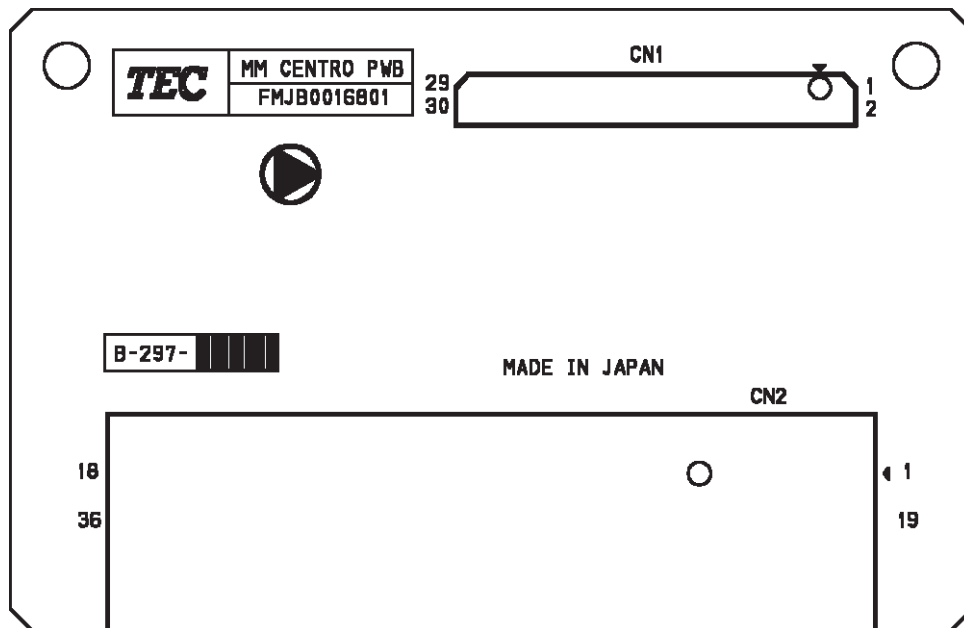


<b>2</b>	<b>EXPIO PC BOARD (TS/CHD model)</b>
----------	--------------------------------------

Ref.No.	Part No.	Description	Remarks	*1	*2	*3	*4
	FMBC0071701	EXPIO PC Board	TS,CHD	1	E		
IC1	<del>CAM-003202A</del> C0-08460001	<del>IC TC74HC32AF</del> IC TC74HC32AF(EL F)	Changed:9/'05	1	E		R
IC2	<del>CBB-0022001</del> C0-01434001 C0-11201001	<del>IC TD62004F</del> IC TD62004F(TP1) IC TD62004AFG(S EL)	Changed:9/'05 Changed:9/'05	1	E		
IC3	<del>CAM-017402A</del> C0-08434001	<del>IC TC74HC174AF</del> IC TC74HC174AF(EL F)	Changed:9/'05	1	E		R
IC4	<del>CAM-057302A</del> C0-08495001	<del>IC TC74HC573AF</del> IC TC74HC573AF(EL F)	Changed:9/'05	1	E		R
R2-7	<del>DBK-471JA4A</del> D0-19979001	Chip RSTR. MCR10EZJ471 470 ohm	Changed:9/'05	6			R
C1-4	<del>DAB-104MZ11</del> D0-05722001	<del>Chip CAP. GRM40F104Z50PT</del> 0.1 $\mu$ F Chip CAP. GRM219F11H104ZA01D 0.1 $\mu$ F	Changed:9/'05	4			R
CN1	<del>EAA-2308001</del> E0-01441000	CONN. DF11-14DP-2DSA	Changed:9/'05	1			
CN2	<del>EAA-2304001</del> E0-08179000	<del>CONN. 57RE-40240-730B (D29A)</del> CONN. 57RE-40240-730B(D29A)-FA	Changed:9/'05	1			
PC1-3	<del>DEC-0006002</del> C0-08807000	<del>Photo Coupler TLP521-2</del> Photo Coupler TLP521-2(A F)	Changed:9/'05	3			

\*1: Q'ty/Unit \*2: Recommended Parts \*3: Revised Record \*4: RoHS

**3** CENTRO PC BOARD



**3**

**CENTRO PC BOARD**

Ref.No.	Part No.	Description	Remarks	*1	*2	*3	*4
	FMBC0071601	CENTRO PC Board		1	E		
IC1	CAF-024507F	TTL IC SN74LS245NST-R		1	E		
IC2	CAF-001407F	TTL IC SN74LS14NST-R		1	E		
IC3	CAF-000606F	TTL IC SN7406NST-R		1	E		
R1-8,10,12,14, 15,17-21	DBK-102JA4A	Chip RSTR. MCR10EZHZ102 1kΩ		17			
R9	DBK-R00JA4A	Chip RSTR. MCR10EZHZ000 0Ω		1			
R11	DBK-101JA4A	Chip RSTR. MCR10EZHZ101 100Ω		1			
R13,16,22-24	DBK-103JA4A	Chip RSTR. MCR10EZHZ103 10kΩ		5			
C9,17	DAB-101MJ17	Chip CAP. GRM40CH101J50PT 100pF		2			
C18-20	DAB-104HM02	Chip CAP. GRM40F104Z25PT 0.1μF		3			
CN1	EAA-1356003	CONN. 52030-3010		1			
CN2	EAA-2181001	CONN. 57RE-40360-730		1			

\*1: Q'ty/Unit \*2: Recommended Parts \*3: Revised Record \*4: New Parts



<b>4</b>	<b>CPU PC BOARD ASS'Y (HS model) 1/7</b>
----------	--

Ref.No.	Part No.	Description	Remarks	*1	*2	*3	*4
	FMBC0082105	CPU PC Board Ass'y (Service No.:B-305-05)	HS	1	E		
IC1	<del>CAH-0151001</del> <del>CAH-0233002</del> <del>C0-04830001</del> C0-12095001 C0-11856001	<del>SOP16P-LT1381CS-E2</del> <del>IC-HIN202CBN</del> <del>HIN202CBN-T</del> HIN202CBNZ-T LT1381CS#TRPBF	Changed:12/2000 Interchangeable Changed:12/'06 Changed 3/'05	1	E		R
IC2,63	<del>CAM-024522A</del> C0-08569001	<del>CMOS,SOP20P TC74VHC245F(TP1)</del> CMOS,SOP20P TC74VHC245F(EL F)	Changed 3/'05	2	E		R
IC3,62	<del>CAM-057322A</del> C0-08577001	<del>CMOS,SOP20P TC74VHC573F(TP1)</del> CMOS,SOP20P TC74VHC573F(EL F)	Changed 3/'05	2	E		R
IC4	<del>CAA-0330001</del> C0-03344000	<del>QFP120P UPD70433GJ-16-3EB</del> Changed 3/'05	Changed 3/'05	1	E		
IC5,60	CAM-001422A C0-08562001	CMOS,SOP14P TC74VHC14F(TP1) CMOS,SOP14P TC74VHC14F(EL F)	Changed 3/'05	2	E		R
IC6	<del>CAH-0071001</del> C0-03426001	<del>SOP20P MC145407FR1</del> Changed 3/'05	Changed 3/'05	1	E		
IC9	<del>CAG-0185001</del> C0-09754001	<del>SOP8P-BA10393F-T1</del> SOP8P BA10393F-E2	Changed 3/'05	1	E		R
IC10	<del>CAG-0522001</del> C0-09749001	<del>SOP14P BA10324AF-E2</del> Changed 3/'05	Changed 3/'05	1	E		R
IC11	<del>CAQ-0008001</del> C0-01550001	<del>CMOS,SOP5P TC7S08F(TE85R)</del> Changed 3/'05	Changed 3/'05	1	E		
IC12	<del>CAE-0159003</del> C0-12920000	<del>SOP48P-UPD23C32000GY-EC-M217</del> EC-M217 MX23C3210TC-12G	Changed:9/'05	1	E		
IC13	<del>CAJ-0435001</del> C0-12233000	<del>QFP144P-UPD65643GJ-054-3EN</del> <del>EC-M212</del> UPD65643GJ0543ENA EC-M212	Changed:6/'05	1	E		
IC14	<del>CAG-0439001</del> C0-05264001	<del>SOP14P-M62354FP</del> SOP14P M62354FP 70ND	Changed 3/'05	1	E		
IC15	FMBC0074407	P-ROM		1	E		
IC16	CAJ-0313006	PAL,SOP20P PALCE16V8H-15SC/4 EC-M245		1	E		
IC17	<del>CAD-0288001</del> C0-04552000 C0-12151000 C0-13390000	<del>ROM,DIP8P M93C46-BN6</del> Changed 3/'05 M93C46-WBN6P AT93C46-10PU-1.8 Added: 5/2006	Added: 5/2006	1	E		R
(IC17)	<del>EAA-2390001</del> <del>EAB-0163003</del> E0-00151000	<del>IC Socket 2-641260-3</del> IC Socket 390261-2 Changed:2/2001 Changed 3/'05	Changed:2/2001 Changed 3/'05	1	E		
IC18	<del>CAK-0056001</del> <del>C0-02248000</del> C0-10337000	<del>SIP16P-STK6712AMK4</del> Changed 3/'05 SIP16P STK6712AMK4-E Changed:9/'05	Changed 3/'05 Changed:9/'05	1	E		R
IC19,30	<del>CAC-0391007</del> C0-04798000 CAC-0434001 <del>CAC-0509002</del> C0-04820000 C0-05665000 C0-13498000	<del>TSOP50P KM416C1200CT-6</del> Changed 3/'05 TSOP50P UPD4218160GS-60-7JF TSOP50P GM71C8160CT-6 Interchangeable Changed 3/'05 K4F151611D-TC60 Added:2/'02 MSM5118160F-60TS-K Added: 4/'06	Interchangeable Changed 3/'05 Added:2/'02 Added: 4/'06	2	E		



4

## CPU PC BOARD ASS'Y (HS model) 2/7

Ref.No.	Part No.	Description	Remarks	*1	*2	*3	*4
IC22	<del>CAQ-0050003</del> CO-08632001	<del>CMOS,SSOP8P TC7W241FU</del> CMOS,SSOP8P TC7W241FU(TE12L F)	Changed 3/'05	1	E		R
IC23	<del>CAQ-0041001</del> CO-08623001	<del>SOP8P TC7W04F</del> SOP8P TC7W04F(TE12L F)	Changed 3/'05	1	E		R
IC24	<del>CAQ-0015001</del> CO-00921000	<del>SIP7P TA8428K</del> SIP7P TA8428K(S)	Changed 3/'05	1	E		R
IC25,27,51	<del>CAM-000022A</del> CO-08552001	<del>CMOS,SOP14P TC74VHC00F(TP1)</del> CMOS,SOP14P TC74VHC00F(EL F)	Changed 3/'05	3	E		R
IC26	<del>CAM-001022A</del> CO-08556001	<del>CMOS,SOP14P TC74VHC10F(TP1)</del> CMOS,SOP14P TC74VHC10F(EL F)	Changed 3/'05	1	E		R
IC29	FMBC0088501	P-ROM		1			
IC31	<del>CAN-005102E</del> CO-09797001	<del>CMOS,SOP16P BU4051BF</del> CMOS,SOP16P BU4051BCF-T1	Changed 3/'05	1	E		R
IC32	<del>CAG-0438001</del> CO-07406001	<del>SOP14P UPC844G2-T1</del> SOP14P UPC844G2-T1-A	Changed 3/'05	1	E		R
IC33	<del>CAM-017422A</del> CO-08827001	<del>CMOS,SOP16P TC74VHC174F</del> CMOS,SOP16P TC74VHC174F(EL F)	Changed 3/'05	1	E		R
IC53,59,61	<del>CAM-015722A</del> CO-08563001	<del>CMOS,SOP16P TC74VHC157F(TP1)</del> CMOS,SOP16P TC74VHC157F(EL F)	Changed 3/'05	3	E		R
IC57	<del>CAM-003222A</del> CO-08572001	<del>CMOS,SOP14P TC74VHC32F(TP1)</del> CMOS,SOP14P TC74VHC32F(EL F)	Changed 3/'05	1	E		R
IC58	CAM-007422A CO-08578001	CMOS,SOP14P TC74VHC74F CMOS,SOP14P TC74VHC74F(EL F)	Changed 3/'05	1	E		R
D1~5	<del>CBE-0085001</del> CO-09544001	<del>Diode AM01Z</del> Diode AM01ZV1	Changed 3/'05	5			R
D51,53	<del>CBE-0049006</del> CO-00471001	<del>Chip Diode 1SS187(TE85R)</del>	Changed 3/'05	2			
D52	<del>CBE-0246001</del> CO-00476001	<del>Chip Diode 1SS294(TE85R)</del>	Changed 3/'05	1			
Q1	<del>CBQ-0164001</del> CO-10697000	<del>XISTOR. 2SK1059</del> XISTOR. 2SK1059-AZ	Changed 3/'05	1			R
Q3,4	<del>CBA-0326001</del> CO-10850000	<del>XISTOR. 2SD1838</del>	Changed 3/'05	2			R
Q5,6,8	<del>CBQ-0162001</del> CO-07337000	<del>XISTOR. 2SJ495</del> XISTOR. 2SJ495-AZ	Changed 3/'05	3			R
Q7	<del>CBA-0091002</del> <del>CO-02183000</del> CO-07883000	<del>XISTOR. 2SD1802</del> XISTOR. 2SD1802S/T-E	Changed 3/'05 Changed:9/'05	1			
Q51~53,55,60	<del>CBC-0017001</del> CO-07391001	<del>Chip XISTOR. FA1A4M-T1B</del> Chip XISTOR. FA1A4M-T1B-A	Changed 3/'05	5			R
Q54,57,59	<del>CBA-0088001</del> CO-07352001	<del>Chip XISTOR. 2SC1621-T1B</del> Chip XISTOR. 2SC1621-T1B-A	Changed 3/'05	3			R
Q58	<del>CBQ-0041019</del> CO-08744001	<del>Chip XISTOR. 2SK2615</del> Chip XISTOR. 2SK2615(TE12L F)	Changed 3/'05	1			R
TA1,2	<del>CBC-0061001</del> CO-00683001	<del>XISTOR. Array RN4602(TE85R)</del>	Changed 3/'05	2			

\*1: Qty/Unit \*2: Recommended Parts \*3: Revised Record \*4: RoHS

<b>4</b>	<b>CPU PC BOARD ASS'Y (HS model) 3/7</b>
----------	--

Ref.No.	Part No.	Description	Remarks	*1	*2	*3	*4
		<b>&lt;Chip RSTR.&gt;</b>					
R4,72,132,159	DBK-472JA5A	MCR03EZHJ472 4.7K 1/16W		4			
	D0-19410001	MCR03EZHJ472 4.7K 1/10W	Changed 3/'05				R
	D0-23928001	MCR03EZPJ472 4.7K 1/10W	Changed:12/'06				R
R5	DBK-563JA5A	MCR03EZHJ563 56K 1/16W		1			
	D0-19423001	MCR03EZHJ563 56K 1/10W	Changed 3/'05				R
	D0-24723001	MCR03EZPJ563 56K 1/10W	Changed:12/'06				R
R6,7,11,53,62	DBK-103JA5A	MCR03EZHJ103 10K 1/16W		37			
64,66,67,69,	D0-19327001	MCR03EZHJ103 10K 1/10W	Changed 3/'05				R
71,78,89~92,	D0-23895001	MCR03EZPJ103 10K 1/10W	Changed:12/'06				R
106~109,116,							
117,124,126,							
128,142,148,							
151~156,167,							
168,172,203,							
315							
R8,9,82~87,94	DBK-470JA5A	MCR03EZHJ470 47Ω 1/16W		23			
~99,101,102,	D0-19408001	MCR03EZHJ470 47Ω 1/10W	Changed 3/'05				R
111~115,149,	D0-23926001	MCR03EZPJ470 47Ω 1/10W	Changed:12/'06				R
311							
R51,145	DBK-912JA5A	MCR03EZHJ912 9.1K 1/16W		2			
	D0-19448001	MCR03EZHJ912 9.1K 1/10W	Changed 3/'05				R
	D0-25614001	MCR03EZPJ912 9.1K 1/10W	Changed:12/'06				R
R10,54,63,123	DBK-102JA5A	MCR03EZHJ102 1K 1/16W		8			
150,157,169,	D0-19326001	MCR03EZHJ102 1K 1/10W	Changed 3/'05				R
200	D0-23893001	MCR03EZPJ102 1K 1/10W	Changed:12/'06				R
R52,59~61,144	DBK-221JA2A	MCR25JZHJ221 220 1/4W		5			
	D0-20198001		Changed 3/'05				R
R73,74,143,	DBK-100JA5A	MCR03EZHJ100 10Ω 1/16W		5			
166,327	D0-19324001	MCR03EZHJ100 10Ω 1/10W	Changed 3/'05				R
	D0-23889001	MCR03EZPJ100 10Ω 1/10W	Changed:12/'06				R
R75	DBK-822JA5A	MCR03EZHJ822 8.2K 1/16W		1			
	D0-19443001	MCR03EZHJ822 8.2K 1/10W	Changed 3/'05				R
	D0-23942001	MCR03EZPJ822 8.2K 1/10W	Changed:12/'06				R
R79~81,88,201	DBK-000JA5A	MCR03EZHJ000 0Ω 1/16W		5			
	D0-19553001	MCR03EZHJ000 0Ω 1/10W	Changed 3/'05				R
	D0-23887001	MCR03EZPJ000 0Ω 1/10W	Changed:12/'06				R
R93	DBK-101JA5A	MCR03EZHJ101 100Ω 1/16W		1			
	D0-19325001	MCR03EZHJ101 100Ω 1/10W	Changed 3/'05				R
	D0-23891001	MCR03EZPJ101 100Ω 1/10W	Changed:12/'06				R
R103	DBK-681FB5A	MCR03EZPFX6800 680Ω 1/16W		1			
	D0-19638001	MCR03EZPFX6800 680Ω 1/10W	Changed 3/'05				R
R104,138,141	DBK-683FB5A	MCR03EZPFX6802 68K 1/16W		3			
	D0-19640001	MCR03EZPFX6802 68K 1/10W	Changed 3/'05				R
R105,321~325	DBK-103FB5A	MCR03EZPFX1002 10K 1/16W		6			
	D0-19453001	MCR03EZPFX1002 10K 1/10W	Changed 3/'05				R
R121,140	DBK-221JA5A	MCR03EZHJ221 220Ω 1/16W		2			
	D0-19367001	MCR03EZHJ221 220Ω 1/10W	Changed 3/'05				R
	D0-23915001	MCR03EZPJ221 220Ω 1/10W	Changed:12/'06				R
R122	DBK-221JA1A	MCR50JZHJ221 220Ω 1/2W		1			
	D0-20317001		Changed 3/'05				R

\*1: Q'ty/Unit \*2: Recommended Parts \*3: Revised Record \*4: RoHS

<b>4</b>	<b>CPU PC BOARD ASS'Y (HS model) 4/7</b>
----------	--

Ref.No.	Part No.	Description	Remarks	*1	*2	*3	*4
R125	<del>DBK-113JA5A</del> D0-19334001	<del>MCR03EZHJ113 11K 1/16W</del> MCR03EZHJ113 11K 1/10W	Changed 3/'05	1			R
	D0-25554001	MCR03EZPJ113 11K 1/10W	Changed:12/'06				R
R127,160	<del>DBK-104JA5A</del> <del>D0-19328001</del>	<del>MCR03EZHJ104 100K 1/16W</del> MCR03EZHJ104 100K 1/10W	Changed 3/'05	1			R
	D0-23897001	MCR03EZPJ104 100K 1/10W	Changed:12/'06				R
R129	<del>DBK-222JA5A</del> <del>D0-19368001</del>	<del>MCR03EZHJ222 2.2K 1/16W</del> MCR03EZHJ222 2.2K 1/10W	Changed 3/'05	1			R
	D0-23916001	MCR03EZPJ222 2.2K 1/10W	Changed:12/'06				R
R130	<del>DBK-224JA5A</del> <del>D0-19370001</del>	<del>MCR03EZHJ224 220K 1/16W</del> MCR03EZHJ224 220K 1/10W	Changed 3/'05	1			R
	D0-23972001	MCR03EZPJ224 220K 1/10W	Changed:12/'06				R
R131,314	<del>DBK-682JA5A</del> <del>D0-19434001</del>	<del>MCR03EZHJ682 6.8K 1/16W</del> MCR03EZHJ682 6.8K 1/10W	Changed 3/'05	2			R
	D0-25602001	MCR03EZPJ682 6.8k 1/10W	Changed:12/'06				R
R133,135	<del>DBK-223JA5A</del> <del>D0-19369001</del>	<del>MCR03EZHJ223 22K 1/16W</del> MCR03EZHJ223 22K 1/10W	Changed 3/'05	2			R
	D0-23917001	MCR03EZPJ223 22K 1/10W	Changed:12/'06				R
R134,136	<del>DBK-163JA5J</del> <del>D0-19353001</del>	<del>MCR03EZHJ163 16K 1/16W</del> MCR03EZHJ163 16K 1/10W	Changed 3/'05	2			R
	D0-25564001	MCR03EZPJ163 16K 1/10W	Changed:12/'06				R
R137,139,319, 320	<del>DBK-153FB5A</del> D0-19483001	<del>MCR03EZPFJ1502 15K 1/16W</del> MCR03EZPFJ1502 15K 1/10W	Changed 3/'05	4			R
R158	<del>DBK-470JA4A</del> D0-19978001	<del>MCR10EZHJ470 47Ω 1/10W</del> MCR10EZHJ470 47Ω 1/10W	Changed 3/'05	1			R
R161	<del>DBK-151JA1A</del> D0-20306001	<del>MCR50JZHJ151 150Ω 1/2W</del> MCR50JZHJ151 150Ω 1/2W	Changed 3/'05	1			R
R163,173	<del>DBK-123FB5A</del> D0-19465001	<del>MCR03EZPFJ1202 12K 1/16W,1%</del> MCR03EZPFJ1202 12K 1/10W	Changed 3/'05		2		R
R164	<del>DBK-823JA5A</del> <del>D0-19444001</del>	<del>MCR03EZHJ823 82K 1/16W</del> MCR03EZHJ823 82K 1/10W	Changed 3/'05	1			R
	D0-25613001	MCR03EZPJ823 82K 1/10W	Changed:12/'06				R
R165,313	<del>DBK-393JA5A</del> <del>D0-19401001</del>	<del>MCR03EZHJ393 39K 1/16W</del> MCR03EZHJ393 39K 1/10W	Changed 3/'05	2			R
	D0-23925001	MCR03EZPJ393 39k 1/10W	Changed:12/'06				R
R312	<del>DBK-272JA1A</del> D0-20324001	<del>MCR50JZHJ272 2.7K 1/2W</del> MCR50JZHJ272 2.7K 1/2W	Changed 3/'05	1			R
R317	<del>DBK-101JA4A</del> D0-19900001	<del>MCR10EZHJ101 100Ω 1/10W</del> MCR10EZHJ101 100Ω 1/10W	Changed 3/'05	1			R
R318	<del>DBK-151FA4A</del> D0-19735001	<del>MCR10EZHJ1500 150Ω 1/10W,1%</del> MCR10EZHJ1500 150Ω 1/10W	Changed 3/'05	1			R
RA1,6~8,10,11 16,17,20,21, 23~27	<del>DBP-0015038</del> D0-20289001	<del>Chip RSTR. Array</del> MNR14E0AJ470 47Ω X4/D	Changed 3/'05	15			R
RA2~5,9,12~15 18,19,22	<del>DBP-0294001</del> D0-23073001	<del>RSTR. Array RNA4A8E103JT</del> 10K X8	Changed 3/'05	12			

\*1: Q'ty/Unit \*2: Recommended Parts \*3: Revised Record \*4: RoHS

<b>4</b>	<b>CPU PC BOARD ASS'Y (HS model) 5/7</b>
----------	--

Ref.No.	Part No.	Description	Remarks	*1	*2	*3	*4
		<b>&lt;Chip CAP.&gt;</b>					
C1,2,19~21,25 27,28,33~35, 53,54,58,61, 63~65,67~69, 71,74,76~83, 85~88,90,94, 97~101,104, 106,107,111, 113,114,116~ 118,303,320, 321,324	<del>DAB-103MK15</del> D0-04100001	<del>GRM39B103K50PT 0.01μF 50V</del> GRM188B11H103KA01D 0.01μF 50V	Changed 3/'05	55			R
C3~8,31,32,52 62,72,89,91, 93,103,105, 108,109,313, 325	<del>DAB-104HM06</del> D0-04098001	<del>GRM39F104Z25PT 0.1μF 25V</del> GRM188F11E104ZA01D 0.1μF 25V	Changed 3/'05	20			R
C9~11,13	<del>DAA-100HM14</del> D0-18359001	<del>UWT1E100MCR1GB 10μF 25V</del> UWT1E100MCL1GB 10μF 25V	Changed 3/'05	4			
C12	<del>DAB-561MK09</del> D0-07520001	<del>GRM39B561K50PT 560PμF 50V</del> GRM188B11H561KA01D 560PμF 50V	Changed 3/'05	1			R
C22	<del>DAA-221CM57</del> D0-18388001	<del>UWX1A221MCR1GB 220μF 10V</del> UWX1A221MCL1GB 220μF 10V	Changed 3/'05	1			
C23	<del>DAA-100FM04</del> D0-18391001	<del>UWX1C100MCR1GB 10μF 16V</del> UWX1C100MCL1GB 10μF 16V	Changed 3/'05	1			
C24	<del>DAA-101MM27</del> D0-18291001	<del>UUR1H101MNR1GS 100μF 50V</del> UUR1H101MNL1GS 100μF 50V	Changed 3/'05	1			
C30	<del>DAA-471CM10</del> D0-18307001	<del>UUX1A471MNR1GS 470μF 10V</del> UUX1A471MNL1GS 470μF 10V	Changed 3/'05	1			
C55,57,75,302 311	<del>DAB-100MM01</del> D0-04085001	<del>GRM39CH100D50PT 10PμF 50V</del> GRM1882C1H100JZ01D 10PμF 50V	Changed 3/'05	5			R
C66	<del>DAB-821MK06</del> D0-07747001	<del>GRM39B821K50PT 820PμF 50V</del> GRM188B11H821KA01D 820PμF 50V	Changed 3/'05	1			R
C70,73,102	<del>DAB-101MJ21</del> D0-04102001	<del>GRM39CH101J50PT 100PμF 50V</del> GRM1882C1H101JA01D 100PμF 50V	Changed 3/'05	3			R
C92,95,96	<del>DAB-104MZ11</del> D0-05722001	<del>GRM40F104Z50PT 0.1μF 50V</del> GRM219F11H104ZA01D 0.1μF 50V	Changed 3/'05	3			R
C115	<del>DAB-391MJ05</del> D0-07495001	<del>GRM39CH391J50PT 390PμF 50V</del> GRM1882C1H391JA01D 390PμF 50V	Changed 3/'05	1			R
		<b>&lt;Film CAP.&gt;</b>					
C15	<del>DAC-334MK03</del> D0-23315000	CQ92M1H334KB 0.33μF 50V	Changed 3/'05	1			
		<b>&lt;CONN.&gt;</b>					
CN1	<del>EAA-0457001</del> E0-01300000	8P TCS7588-01-201	Changed 3/'05	1			R
CN2	<del>EAA-2589001</del> <del>E0-04631000</del> E0-08153000	9P 17LE-13090-27(D4CK) 9P 17LE-13090-27(D4CK)-FA	Changed 3/'05 Changed:9/'05	1			R

<b>4</b>	<b>CPU PC BOARD ASS'Y (HS model) 6/7</b>
----------	--

Ref.No.	Part No.	Description	Remarks	*1	*2	*3	*4
CN3	<del>EAA-1738018</del>	<del>8P-53253-0810</del>		1			
	E0-00758000		Changed 3/'05				
CN4	<del>E0-08528000</del>	<del>8P 53253-0870</del>	Changed:9/'05				
	EAA-0142010	2P IL-S-2P-S2T2-EF		1			
CN5,13	<del>E0-01964000</del>		Changed 3/'05				R
	EAA-0156001	5P IL-S-5P-S2T2-EF		2			
CN7	<del>E0-01970000</del>		Changed 3/'05				R
	EAA-2309001	<del>18P-DF11-18DP-2DSA</del>		1			
CN8	<del>E0-01443000</del>		Changed 3/'05				
	E0-07701000	DF11-18DP-2DSA(08)	Chaned:12/'06				R
CN9	EAA-0294019	<del>2P-5267-02A</del>		1			
	E0-00645000	2P 5267-02A-X	Changed 3/'05				R
CN11	<del>EAA-0863001</del>	<del>7P-B7P-VH</del>		1			
	E0-07480000	<del>7P-B7P-VH (LF)</del>	Changed 3/'05				R
CN12	<del>E0-10679000</del>	<del>7P B7P-VH (LF) (SN)</del>	Deleted:12/'06				
	EAA-2932002	30P 52610-3090	Added: 4/'06	1			R
CN14	<del>E0-00918001</del>		Changed 3/'05				
	EAA-0290004	6P 53014-0610		1			
CN21	<del>E0-00618000</del>		Changed 3/'05				R
	EAA-0561001	7P IL-S-7P-S2T2-EF		1			
CN22	<del>E0-01974000</del>		Changed 3/'05				R
	EAA-0214007	<del>20P-DF11-20DP-2DSA</del>		1			
CN23	<del>E0-02488000</del>		Changed 3/'05				
	E0-07702000	20P DF11-20DP-2DSA(08)	Changed:12/'06				R
DSW1	<del>EAA-0142020</del>	<del>13P IL-S-13P-S2T2-EF</del>		1			
	E0-01961000		Changed 3/'05				R
F1,2,4,7	<del>EAA-1519001</del>	<del>16P-LY20-16P-DT1-P5</del>		1			
	E0-02004000	16P LY20-16P-DT1-P5E	Changed:12/'06				R
F3	<del>E0-09223000</del>		Changed 3/'05				
	EBC-0007004	DIP Switch KSP08		1			
F5,6	<del>E0-02291000</del>		Changed 3/'05				
	EHA-0171001	<del>Fuse 451001</del>		4	D		
J1	E0-03831001	Fuse 0451 001MR	Changed 3/'05				
	E0-09125001	Fuse 0453001.MR	Added:12/'06				R
J1	<del>EHA-0206001</del>	<del>Fuse 451.500</del>		1	D		
	E0-03828001	Fuse 0451 500MR	Changed 3/'05				
NF1~7,56~62	E0-08943001	Fuse 0453.500MR	Added:12/'06				R
	<del>EHA-0205001</del>	<del>Fuse 45101.5</del>		2	D		
J1	E0-03858001	Fuse 0451 01.5MR	Changed 3/'05				
	E0-08553001	Fuse 045301.5MR	Added:12/'06				R
J1	<del>EAA-2516001</del>	<del>Short Pin 5548-03A</del>		1			
	<del>E0-00991000</del>		Changed 3/'05				
J1	E0-09965000	00 9067 033 000 801+	Changed 5/'06				
	<del>EAA-2517001</del>	<del>Short Pin Connector.</del>		1			
NF1~7,56~62	<del>E0-00877000</del>	<del>90059-0013</del>	Changed 3/'05				R
	E0-09966000	00 9067 020 000 805+	Changed 5/'06				
NF1~7,56~62	<del>DDH-0068007</del>	<del>Noise Filter BLM21B201S</del>		14			
	D0-04457001	Noise Filter BLM21BB201SN1D	Changed 3/'05				R

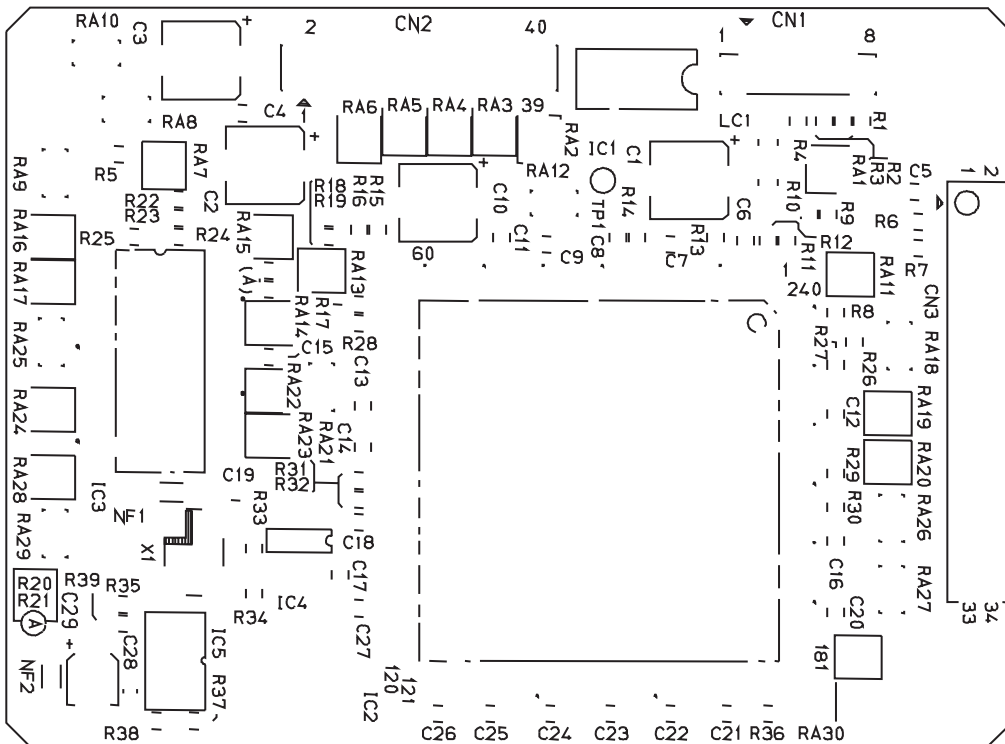
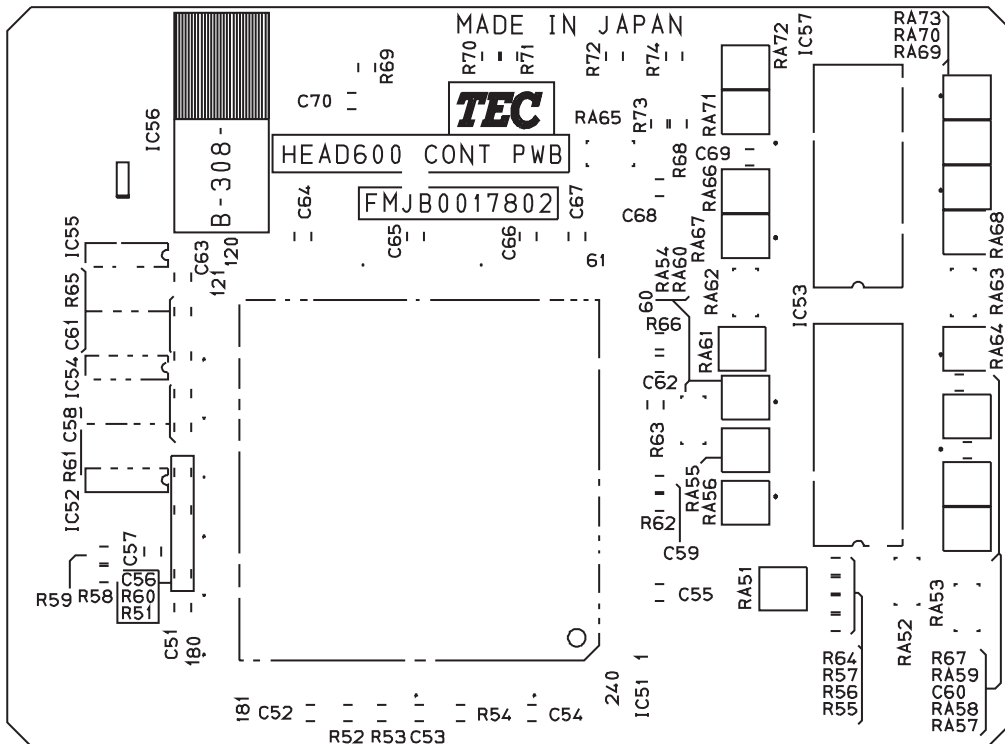
\*1: Q'ty/Unit \*2: Recommended Parts \*3: Revised Record \*4: RoHS

<b>4</b>	<b>CPU PC BOARD ASS'Y (HS model) 7/7</b>
----------	--

Ref.No.	Part No.	Description	Remarks	*1	*2	*3	*4
NF52~54	<del>DDA-0118001</del> D0-05468001	<del>Noise Filter NFM41R11C222</del> Noise Filter NFM41CC222R2A3L	Changed 3/'05	3			R
NF55	<del>DDA-0116001</del> D0-12472001	<del>Noise Filter NFM41R00C221</del> Noise Filter NFM41CC221U2A3L	Changed 3/'05	1			R
NFA1	<del>DDA-0234001</del> D0-05461001	Noise Filter Array <del>NFA62R00C470</del> NFA6CCC470S1H6L	Changed 3/'05	1			
TH1	<del>CCB-0032003</del> D0-22855000	Thermistor <del>PTH9M04BE222TS2F333</del> PTFM04BE222Q2N34B0	Changed 3/'05	1			R
X1	<del>DCD-0338004</del> D0-07749001	<del>X'tal CSTCS32.00MX040</del> X'tal CSTCS32.00MX040-TC	Changed 3/'05	1	D		R
	FMEB0124001	Heat Sink		1			
	FMED0032701	PCB Attaching Plate		1			
	<del>HAD-0221014</del> F0-00106000	Spacer ASB-315	Changed 3/'05	1			
SMW-3x6	<del>X0110306137</del> X0-00056000	Double Sems Screw M3x6	Changed 3/'05	2			
SMW-3x8	<del>X0110308136</del> <del>X0-00072000</del> X0-00076000	Double Sems Screw M3x8	Changed 3/'05 Changed 1/'07	2			R
SMW-3x8	<del>X0110308157</del> X0-00078000	Double Sems Screw M3x8	Changed 3/'05	2			
SMW-3x8	<del>X0110308147</del> X0-00077000	Double Sems Screw M3x8	Changed 3/'05	1			R
W-3	X7170300140	Washer M3		1			

\*1: Qty/Unit \*2: Recommended Parts \*3: Revised Record \*4: RoHS

5 HEAD600 CONT PC BOARD (HS model)



<b>5</b>	<b>HEAD600 CONT PC BOARD (HS model) 1/3</b>
----------	---

Ref.No.	Part No.	Description	Remarks	*1	*2	*3	*4
	FMBC0082201	HEAD600 CONT PC Board (Service No.:B-308-01)		1	E		
IC2	<del>GAB-0455002</del>	QFP240P EPF10K30AQC240-3	Deleted:8/05	1	E		
IC3,53,57	C0-04936000	QFP240P EPF10K30AQC240-3	Added:7/03				
	<del>GAG-0350009</del>	TSOP44P IDT71V016S15PH	Deleted:8/05	3	E		
	C0-04905001	TSOP44P IDT71V016S15PH8	Added:7/03				
	C0-04052001	CY7C1021V33-15ZCT	Added:7/03				
	C0-05624000	IDT71V016SA15PH	Added:7/03				
	C0-06478000	IC61LV6416-12T	Added:7/03				
	C0-04051001	CY7C1021BV33-15ZCT	Added:7/03				
	C0-05734000	IS61LV6416-12T	Added:7/03				
	C0-05733000	IS61LV6416-15T	Added:7/03				
IC4	<del>GAF-012521F</del>	CMOS,TSSOP14P SN74LVT125PW	Changed:9/2000	1	E		
	<del>GAZ-0071001</del>	CMOS,TSSOP14P SN74LVTH125PW	Deleted:8/05				
	<del>G0-02893001</del>	CMOS,TSSOP14P SN74LVTH125PWR	Added:7/03				
	C0-11790001	CMOS,TSSOP14P SN74LVT125PWR	Changed:8/05				R
	C0-02889001	CMOS,TSSOP14P SN74LVT125PWR	Added:7/03				
IC5	<del>GAG-0818001</del>	SOP8P W42C31-09	Deleted:8/05	1	E		
	C0-04188001	SOP8P W42C31-09GT	Added:7/03				
IC51	<del>GAB-0456002</del>	QFP240P EPF6024AQC240-2	Deleted:8/05	1	E		
	C0-04941000	QFP240P EPF6024AQC240-2	Added:7/03				
IC52,54,55	<del>GAF-024425F</del>	CMOS,TSSOP20P SN74AHCT244PW-EL20	Deleted:8/05	3	E		
	<del>G0-02522001</del>	CMOS,TSSOP20P SN74AHCT244PWR	Added:7/03				
	C0-11323001	CMOS,TSSOP20P SN74AHCT244PWR	Changed:8/05				R
IC56	<del>GAQ-0072001</del>	CMOS,SSOP8P TC7WT125FU(TE12L)	Deleted:8/05	1	E		
	<del>G0-01420001</del>	CMOS,SSOP8P TC7WT125FU(TE12L)	Added:7/03				
	C0-08645001	CMOS,SSOP8P TC7WT125FU(TE12LF)	Changed:8/05				R
CN1	<del>EAA-2656001</del>	CONN. 8P DF13-8P-1.25V	Deleted:8/05	1			
	E0-01470000	CONN. DF13-8P-1.25V(20)	Added:7/03				R
CN2	<del>EAA-2997005</del>	CONN. 40P FH12-40S-0.5SV	Deleted:8/05	1			
	E0-01645001	CONN. FH12-40S-0.5SV	Added:7/03				
CN3	<del>EAA-1505014</del>	CONN. 34PLY20-34P-DT1-P5	Deleted:8/05	1			
	E0-02021000	CONN. LY20-34P-DT1-P5	Added:7/03				
	E0-09228000	CONN. LY20-34P-DT1-P5E	Changed: 10/06				R
R1,4,68,73,74	<del>DBK-470JA5A</del>	<Chip RSTR.> MCR03EZHZ470 47Ω 1/16W	Deleted:8/05	5			
	<del>D0-01018001</del>	MCR03EZHZ470 47Ω 1/16W	Added:7/03				
	D0-19408001	MCR03EZHZ470 47Ω 1/16W	Changed:8/05				R
R2,3,5,22~25, 55~57,64,67	<del>DBK-151JA5A</del>	MCR03EZHZ151 150Ω 1/16W	Deleted:8/05	12			
	<del>D0-00965001</del>	MCR03EZHZ151 150Ω 1/16W	Added:7/03				
	D0-19347001	MCR03EZHZ151 150Ω 1/16W	Changed:8/05				R

\*1: Q'ty/Unit \*2: Recommended Parts \*3: Revised Record \*4: RoHS



<b>5</b>	<b>HEAD600 CONT PC BOARD (HS model) 2/3</b>
----------	---

Ref.No.	Part No.	Description	Remarks	*1	*2	*3	*4
R6,7	<del>DBK-820JA5A</del> <del>D0-01044001</del> D0-19441001	<del>MCR03EZHJ820 82Ω 1/16W</del> MCR03EZHJ820 82Ω 1/16W	Deleted:8/'05 Added:7/'03 Changed:8/'05	2			R
R8,11~16,29, 30,36,51,60, 63,65,66,69	<del>DBK-102JA5A</del> <del>D0-00952001</del> D0-19326001	<del>MCR03EZHJ102 1KΩ 1/16W</del> MCR03EZHJ102 1KΩ 1/16W	Deleted:8/'05 Added:7/'03 Changed:8/'05	16			R
R9,26,27,35, 59	<del>DBK-000JA5A</del> <del>D0-00949001</del> D0-19553001	<del>MCR03EZHJ000 0Ω 1/16W</del> MCR03EZHJ000 0Ω 1/16W	Deleted:8/'05 Added:7/'03 Changed:8/'05	5			R
R17,18,20,21, 28,31,62,72	<del>DBK-101JA5A</del> <del>D0-00951001</del> D0-19325001	<del>MCR03EZHJ101 100Ω 1/16W</del> MCR03EZHJ101 100Ω 1/16W	Deleted:8/'05 Added:7/'03 Cahnged:8/'05	8			R
R19,32,38,39, 52~54,61,71	<del>DBK-103JA5A</del> <del>D0-00953001</del> D0-19327001	<del>MCR03EZHJ103 10KΩ 1/16W</del> MCR03EZHJ103 10KΩ 1/16W	Deleted:8/'05 Added:7/'03 Changed:8/'05	9			R
R33	<del>DBK-680JA5A</del> <del>D0-01036001</del> D0-19432001	<del>MCR03EZHJ680 68Ω 1/16W</del> MCR03EZHJ680 68Ω 1/16W	Deleted:8/'05 Added:7/'03 Changed:8/'05	1			R
RA1,7,13,19, 20,30,51	<del>DBP-0015025</del> <del>D0-01201001</del> D0-20280001	<del>Chip RSTR. Array</del> <del>MNR14E0AJ103 10KΩ x4/D</del> Chip RSTR.Array MNR14E0ABJ103 10KΩ x4/D	Deleted:8/'05 Added:7/'03 Changed:8/'05	7			R
RA2	<del>DBP-0015038</del> <del>D0-01216001</del> D0-20289001	<del>Chip RSTR. Array</del> <del>MNR14E0AJ470 47Ω x4/D</del> Chip RSTR. Array MNR14E0ABJ470 47Ω x4/D	Deleted:8/'05 Added:7/'03 Changed:8/'05	1			R
RA3~6,15,16, 23,28,55,58~ 60,66,69~71	<del>DBP-0015001</del> <del>D0-05418001</del> D0-20263001	<del>Chip RSTR. Array</del> <del>MNR14E0AJ101 100Ω x4/D</del> Chip RSTR. Array MNR14E0ABJ101 100Ω x4/D	Deleted:8/'05 Added:7/'03 Changed:8/'05	16			R
RA8~10,12,18, 21,25~27,29, 52~54,62,63, 65	<del>DBP-0294001</del> <del>D0-00171001</del> D0-23073001	<del>RSTR. Array</del> <del>RNA4A8E103JT 10KΩ x8</del> RSTR. Array RNA4A8E103JT 10KΩ x8	Deleted:8/'05 Added:7/'03 Changed:8/'05	16			
RA11	<del>DBP-0015013</del> <del>D0-01200001</del> D0-20276001	<del>Chip RSTR. Array</del> <del>MNR14E0AJ102 1KΩ x4/D</del> Chip RSTR. Array MNR14E0ABJ102 1KΩ x4/D	Deleted:8/'05 Added:7/'03 Changed:8/'05	1			R

\*1: Q'ty/Unit \*2: Recommended Parts \*3: Revised Record \*4: New Parts

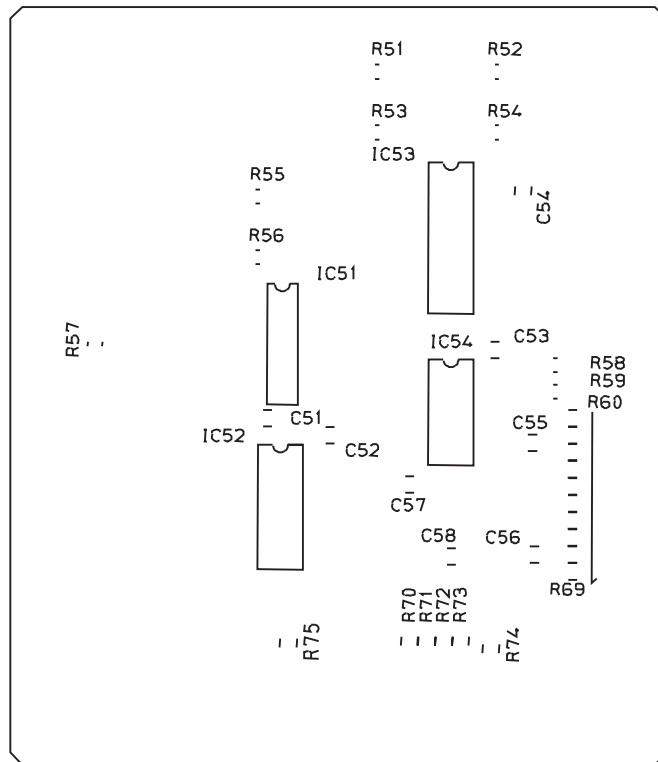
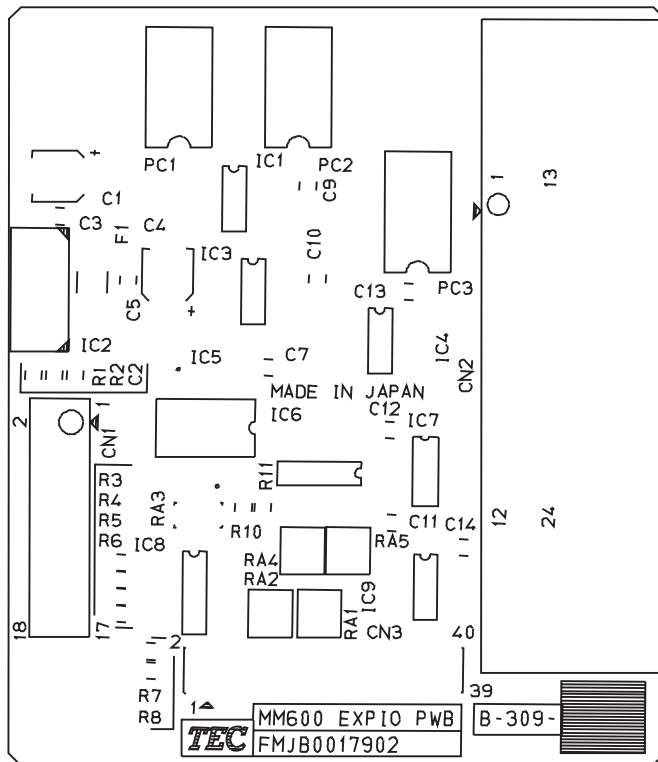
<b>5</b>	<b>HEAD600 CONT PC BOARD (HS model) 3/3</b>
----------	---

Ref.No.	Part No.	Description	Remarks	*1	*2	*3	*4
RA14,17,22,24, 56,57,61,64, 67,68,72,73	<del>DBP-0015003</del> <del>D0-01204001</del> D0-20361001	<del>Chip RSTR. Array</del> <del>MNR14E0AJ151 150Ω X4/D</del> Chip RSTR. Array MNR14E0ABJ151 150Ω x4/D	Deleted:8/'05 Added:7/'03 Changed:8/'05	12			R
C1~3,10	<del>DAA-101FM66</del> <del>D0-01410001</del> D0-17012001	<del>UWX1C101MCR1GB 100μF 16V</del> <del>UWX1C101MCR1GB 100μF 16V</del> UWX1C101MCL1GB 100μF 16V	Deleted:8/'05 Added:7/'03 Changed:8/'05	4			R
C4~9,11~27,51 ~70	<del>DAB-103MK15</del> D0-04100001	<del>GRM39B103K50PT 0.01μF 50V</del> GRM188B11H103KA01D 0.01μF 50V	Added:7/'03	43			R
C28	<del>DAB-104MZ11</del> D0-05722001	<del>GRM40F104Z50PT 0.1μF 50V</del> GRM219F11H104ZA01D 0.1μF 50V	Deleted:8/'05 Added:7/'03	1			R
C29	<del>DAA-100FM04</del> <del>D0-01409001</del> D0-18391001	<del>UWX1C100MCR1GB 10μF 16V</del> <del>UWX1C100MCR1GB 10μF 16V</del> UWX1C100MCL1GB 10μF 16V	Deleted:8/'05 Added:7/'03 Changed:8/'05	1			R
LC1	<del>DDA-0089001</del> D0-05477001	<del>Noise Filter NFM61R10T102T1</del> Noise Filter NFE61PT102E1H9L	Deleted:8/'05 Added:7/'03	1			R
NF1,2	<del>DDH-0094001</del> D0-04471001	<del>Noise Filter BLM41A800S</del> Noise Filter BLM41AF800SN1L	Added:7/'03	2			R
X1	<del>D0D-0365002</del> D0-04642001	<del>X'tal DS0751SL 32MHz</del> X'tal DS0751SL 32MHz	Deleted:8/'05 Added:7/'03	1	E		R
	<del>DAB-104MM04</del>  D0-23700001 D0-04078000	<del>Chip Ceramic CAP.</del> <del>DD308F104Z50V 0.1μF 50V</del>  RPEF11H104Z2M1A01A Ceramic CAP. DD308-63F104Z50 0.1μF 50V	soldered between Pin5 of IC1 and TP1 Corrected:7/'03 Changed:8/'05 Added:7/'03	1			

\*1: Q'ty/Unit \*2: Recommended Parts \*3: Revised Record \*4: New Parts

6

600 EXPIO PC BOARD (HS model)



<b>6</b>	<b>600 EXPIO PC BOARD (HS model) 1/3</b>
----------	--

Ref.No.	Part No.	Description	Remarks	*1	*2	*3	*4
	FMBC0082301	600 EXPIO PC Board (Service No.:B-309-01)			1	E	
IC1	<del>CAF-000426F</del> <del>CO-02782001</del> CO-11646001	CMOS,TSSOP14P SN74LV04APW-EL20 CMOS, SN74LV04APWR	Changed:11/'04 Changed:9/'05	1	E		R
IC2	<del>CAG-0843001</del> CO-07709000 <del>HHC-0025001</del> FO-00413000 FMEB0128701 <del>X0110306136</del> X0-00055000	SIP3P-LM1086CT-3.3 SIP3P LM1086CT-3.3/NOPB Insulation Sheet T0-220-3 Heat Sink Double Sems Screw M3x6	Changed:11/'04 Changed:11/'04 Changed:11/'04 Changed:11/'04	1 1 1 1	E		R R R R
IC3	<del>CAF-012526F</del> <del>CO-02796000</del> CO-11661000	CMOS,TSSOP14P SN74LV125APW	Changed:11/'04 Changed:9/'05	1	E		R
IC4	<del>CAF-007426F</del> <del>CO-02875000</del> CO-11744000	CMOS,TSSOP14P SN74LV74APW	Changed:11/'04 Changed:9/'05	1	E		R
IC5	<del>CAM-424528A</del> CO-08550001	<del>SSOP24P TC74LVX4245FS</del> SSOP24P TC74LVX4245FS(EL F)	Changed:11/'04	1	E		R
IC6	<del>CAM-057329F</del> <del>CO-02867001</del> CO-11736001	CMOS,TSSOP20P SN74LV573APW CMOS, TSSOP20P SN74LV573APWR	Changed:11/'04 Changed:9/'05	1	E		R
IC7	<del>CAF-013826F</del> <del>CO-02802000</del> CO-11014000	CMOS,TSSOP16P SN74LV138APW	Changed:11/'04 Changed:9/'05	1	E		R
IC8	<del>CAF-024426F</del> <del>CO-02833000</del> CO-11705000	CMOS,TSSOP20P SN74LV244APW	Changed:11/'04 Changed:9/'05	1	E		R
IC9	<del>CAF-003226F</del> <del>CO-02843000</del> CO-11713000	CMOS,TSSOP14P SN74LV32APW	Changed:11/'04 Changed:9/'05	1	E		R
IC51	<del>CBB-0022001</del> CO-01434001 CO-11201001	SOP16P TD62004F(TP1) SOP16P TD62004AFG(S EL)	Changed:11/'04 Added:9/'05	1	E		R
IC52	<del>CAM-017402A</del> CO-08434001	<del>CMOS,SOP16P TC74HC174AF(TP1)</del> CMOS, SOP16P TC74HC174AF(EL F)	Changed:11/'04	1	E		R

\*1: Q'ty/Unit \*2: Recommended Parts \*3: Revised Record \*4: RoHS

## 6 600 EXPIO PC BOARD (HS model) 2/3

Ref.No.	Part No.	Description	Remarks	*1	*2	*3	*4
IC53	<del>CAM-057302A</del> C0-08495001	<del>CMOS, SOP20P TC74HC573AF(TP1)</del> CMOS, SOP20P TC74HC573AF(EL F)	Changed:11/'04	1	E		R
IC54	<del>CAM-003222A</del> C0-08572001	<del>CMOS, SOP14P TC74VHC32F(EL)</del> CMOS, SOP14P TC74VHC32F(EL F)	Changed:11/'04	1	E		R
	<del>DAB-104HM06</del>	<del>Chip CAP. GRM39F104Z25PT</del> 0.1 $\mu$ 25V	Soldered between Pin11 and Pin12	1			
	D0-04098001	Chip CAP. GRM188F11E104ZA01D 0.1 $\mu$ 25V	Changed:11/'04				R
		<b>&lt;Chip RSTR.&gt;</b>					
R1,60,61, 68~73	<del>DBK-470JA5A</del> D0-19408001	<del>MCR03EZHZ470 47 ohm 1/16W</del>	Changed:11/'04	9			R
R2	<del>DBK-820JA5A</del> D0-19441001	<del>MCR03EZHZ820 82 ohm 1/16W</del>	Changed:11/'04	1			R
R3~6,74,75	<del>DBK-102JA5A</del> D0-19326001	<del>MCR03EZHZ102 1K ohm 1/16W</del>	Changed:11/'04	6			R
R7,8,62~67	<del>DBK-151JA5A</del> D0-19347001	<del>MCR03EZHZ151 150 ohm 1/16W</del>	Changed:11/'04	8			R
R10	<del>DBK-000JA5A</del> D0-19553001	<del>MCR03EZHZ000 0 ohm 1/16W</del>	Changed:11/'04	1			R
R11	<del>DBK-103JA5A</del> D0-19327001	<del>MCR03EZHZ103 10K ohm 1/16W</del>	Changed:11/'04	1			R
R51~56	<del>DBK-471JA4A</del> D0-19979001	<del>MCR10EZHZ471 470 ohm 1/10W</del>	Changed:11/'04	6			R
RA1,2	<del>DBP-0015038</del> D0-20289001	<del>Chip RSTR. Array</del> <del>MNR14E0AJ470 47 ohm x4/D</del> MNR14E0ABJ470 47 ohm x 4/D	Changed:11/'04	2			R
RA3	<del>DBP-0294002</del> D0-23074001	<del>RSTR. Array</del> RNA4A8E104JT 100K ohm x8	Changed:11/'04	1			
RA4,5	<del>DBP-0015001</del> D0-20263001	<del>Chip RSTR. Array</del> <del>MNR14E0AJ101 100 ohm x4/D</del> MNR14E0ABJ101 100 ohm x 4/D	Chagned:11/'04	2			R
		<b>&lt;Chip CAP.&gt;</b>					
C1,4	<del>DAA-100FM04</del> D0-18391001	<del>UWX1C100MCR1GB 10<math>\mu</math>F 16V</del> UWX1C100MCL1GB 10 $\mu$ F 16V	Changed:11/'04	2			R
C2	<del>DAB-220MJ16</del> D0-04093001	<del>GRM39CH220J50PT 22pF 50V</del> GRM1882C1H220JZ01D 22pF 50V	Changed:11/'04	1			R
C3,5,7,9~14, 51~54,57,58	<del>DAB-103MK15</del> D0-04100001	<del>GRM39B103K50PT 0.01<math>\mu</math>F 50V</del> GRM188B11H103KA01D 0.01 $\mu$ F 50V	Changed:11/'04	15			R
C55,56	<del>DAB-101MJ21</del> D0-04102001	<del>GRM39CH101J50PT 100pF 50V</del> GRM1882C1H101JA01D 100pF 50V	Changed:11/'04	2			R

\*1: Q'ty/Unit \*2: Recommended Parts \*3: Revised Record \*4: RoHS

<b>6</b>	<b>600 EXPIO PC BOARD (HS model) 3/3</b>
----------	--

Ref.No.	Part No.	Description	Remarks	*1	*2	*3	*4
		<i>&lt;CONN.&gt;</i>					
CN1	<del>EAA-2309001</del> E0-01443000	18P DF11-18DP-2DSA	Changed:11/'04	1			
CN2	<del>EAA-2304001</del> <del>E0-04647000</del>	24P <del>57RE-40240-730B (D29A)</del>	Changed:11/'04	1			
CN3	<del>E0-08179000</del> <del>EAA-2997005</del> E0-01645001	57RE-40240-730B(D29A)-FA 40P FH12-40S-0.5SV	Changed:9/'05 Changed:11/'04	1			
F1	<del>EHA-0171001</del> E0-03831001	Fuse <del>451001</del> Fuse 0451 001MR	Changed:11/'04	1	D		
PC1~3	<del>DEC-0006012</del> CO-08808000 <del>X0110308157</del> X0-00078000	Photo Copular TLP521-2(GB) Photo Coupler TLP521-2(GB F) Double Sems Screw M3x8	Changed:11/'04 Changed:11/'04	3 1			

\*1: Q'ty/Unit \*2: Recommended Parts \*3: Revised Record \*4: RoHS