



TEC Thermal Printer

B-480 SERIES

Parts List

Document No. **EO8-33004**

Original **Jun. 1999**

(Revised)

TABLE OF CONTENTS

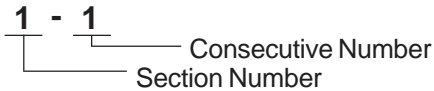
| | Page |
|---|------|
| HOW TO USE THIS PARTS LIST | |
| BODY PARTS | |
| 1. COVERS | B1-1 |
| 2. PC BOARD BLOCK | B2-1 |
| 3. TAKE-UP BLOCK | B3-1 |
| 4. RIBBON DRIVE BLOCK | B4-1 |
| 5. PRINTER BLOCK | B5-1 |
| 6. SWING CUTTER MODULE (B-4205-QM) | B6-1 |
| 7. OPTIONAL PARTS | B7-1 |
| 8. ROTARY CUTTER MODULE (B-8204-QM) | B8-1 |
| 9. MISCELLANEOUS PARTS | B9-1 |
| ELECTRONIC PARTS | |
| 1. CPU PC BOARD ASS'Y | E1-1 |
| 2. I/O PC BOARD ASS'Y | E2-1 |
| 3. CENTRO PC BOARD ASS'Y | E3-1 |
| 4. EXP I/O PC BOARD ASS'Y | E4-1 |
| 5. H50 VGA PC BOARD ASS'Y | E5-1 |
| 6. ROTARY CUTTER PC BOARD ASS'Y | E6-1 |

CAUTION:

1. *This manual may not be copied in whole or in part without prior written permission of TOSHIBA TEC.*
2. *The contents of this manual may be changed without notification.*
3. *Please refer to your local Authorized Service representative with regard to any queries you may have in this manual.*

HOW TO USE THIS PARTS LIST

1) Indication of Ref. No.



2) The initials found in the Remarks column refer to the destination. If there is no symbol, it is a standard part.

- QM Standard for worldwide
- QP for Europe
- QQ for North America

3) Miscellaneous parts (screws, washers, etc.) shall be ordered in minimum lots of 100.

4) As a rule, orders will not be accepted and the company will not be responsible for problems concerning parts not listed in this parts list.

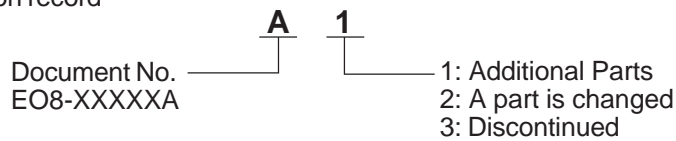
5) The columns from *1 through *4 indicates as follows:

*1 : Quantity/Unit

*2 : Recommendation of parts stock

| | Q'ty/100 Units |
|---------------|----------------|
| Class A | 10 |
| Class B | 7 |
| Class C | 5 |
| Class D | 3 |
| Class E | 1 |

*3 : Revision record



*4 : RoHS-compliant part (indicated with "R")

6) The name of the electronic parts are abbreviated as below:

| Ref. No. | Real Name | Abbreviation | Ref. No. | Real Name | Abbreviation |
|----------|-------------------|--------------|----------|-------------|--------------|
| C | Capacitor | CAP. | Q | Transistor | XISTOR. |
| R | Resistor | RSTR. | CN | Connector | CONN. |
| RA | Resistor Array | RSTR. Array | ZD | Zener Diode | Z. Diode |
| VR (RV) | Variable Resistor | V. RSTR | | | |

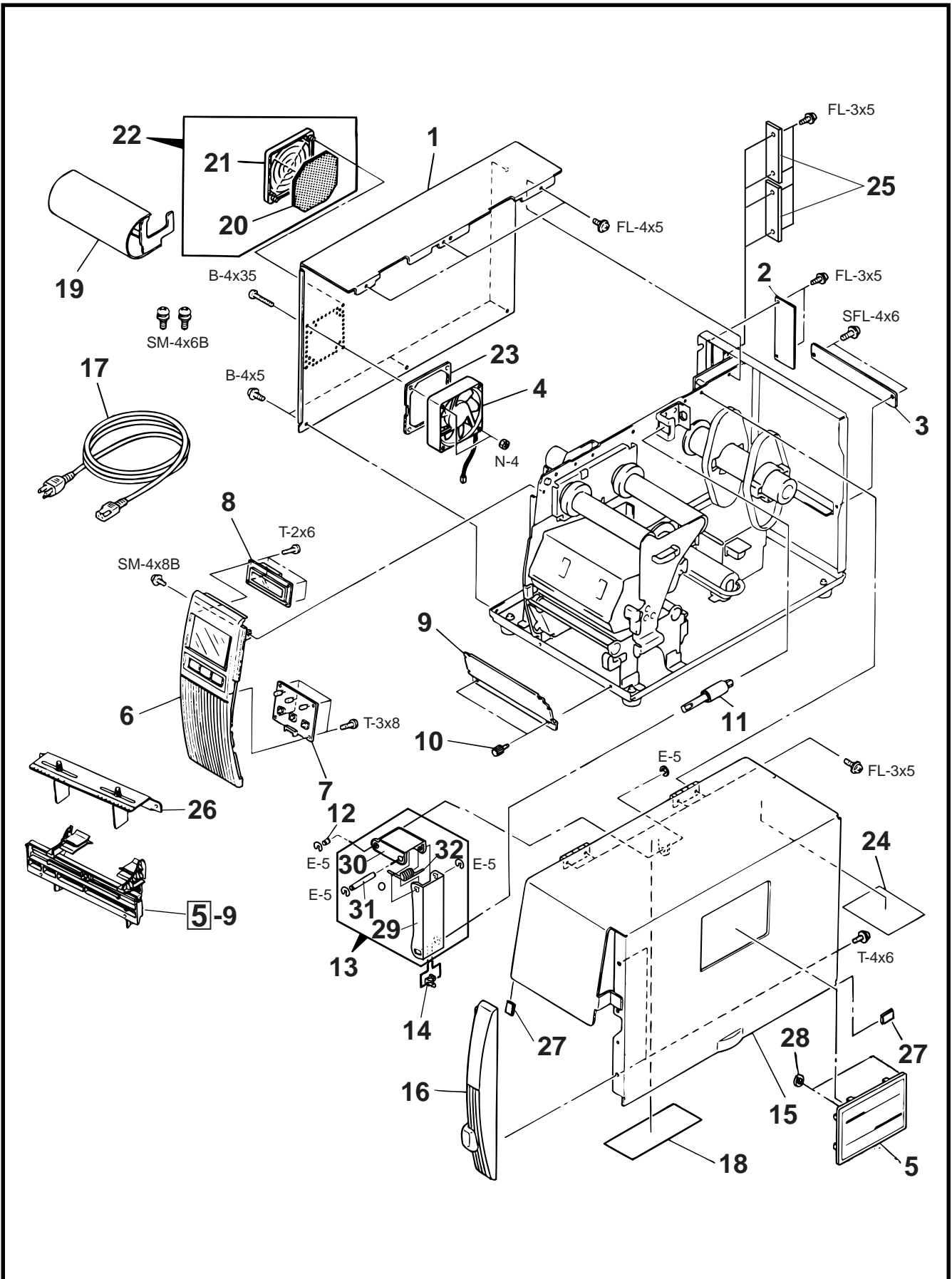
7) Parts with no reference numbers are irreplaceable and unauthorized as service parts.

- NOTES:**
1. The parts shown in this list may be modified by TOSHIBA TEC together with issuing the parts information, if necessary.
 2. The figures in this parts list are provided for reference and may be different form the actual parts in shape.
 3. Electronic parts with the same Ref. No. are interchangeable with each other unless their quantities are listed.
 4. For the underlined assembly parts, the components are available separately.

BODY PARTS

EO8-33004
B-480 SERIES JUN. '99
(Revision Date: Feb. 10, 2000)

1 COVERS



1

COVERS 1/2

| Ref.No. | Part No. | Description | Remarks | *1 | *2 | *3 | *4 |
|-------------|------------------------|---------------------------------|-----------------|----------|----|----|----|
| 1- 1 | FMEE0009502 | Side Panel (L) | | 1 | | | |
| | FMEE0009503 | | Changed:11/2000 | | | | |
| 1- 2 | FMEB0084901 | Blind Plate | | 1 | | | |
| 1- 3 | FMEB0084601 | Rear Cover C | | 1 | | | |
| 1- 4 | FHQB0004801 | FAN Motor | | 1 | D | | |
| 1- 5 | FMHD0008901 | Supply Window | | 1 | | | |
| 1- 6 | FMCC0024402 | Front Panel | | 1 | | | |
| 1- 7 | FMBB0032501 | LED PC Board Ass'y | | 1 | E | | |
| LD1,2 | GBH-0162001 | LED SLP-236B-81 (Green) | | 2 | | | |
| | C0-12260000 | | Changed:9/06 | | | | R |
| LD3 | GBH-0161001 | LED SLP-136B-81 (Red) | | 1 | | | |
| | C0-12259000 | | Changed:9/06 | | | | R |
| R1 | DBA-121JA2F | Carbon RSTR. RD1/4SST26 120ý | | 1 | | | |
| | DBA-121JA2S | Carbon RSTR. SRD1/41200HMJ 120ý | | | | | |
| SW1-3 | EBA-0040001 | Key Switch SKHCAB | | 3 | | | |
| CN1 | EAA-2375001 | CONN. S7B-PH-K-S | | 1 | | | |
| | E0-10729000 | CONN. S7B-PH-K-S (LF) (SN) | Changed:9/06 | | | | R |
| 1- 8 | FMBB0033601 | LCD | | 1 | D | | |
| 1- 9 | FMEC0035702 | Front Plate | | 1 | | | |
| | FMEC0035703 | | Changed:11/2000 | | | | |
| 1-10 | HAA-0004001 | Black Screw M-4x6 | | 2 | A | | |
| 1-11 | HZC-0024001 | Damper TD16A1-25K-01 | | 1 | C | | |
| 1-12 | FMDB0069001 | Damper Shaft S | | 1 | | | |
| 1-13 | FMBB0050001 | Damper Link Ass'y | | 1 | | | |
| 1-14 | FMEB0111601 | Damper Support | | 1 | | | |
| 1-15 | FMCD0013103 | Top Cover | | 1 | | | |
| | FMCD0013104 | | Changed:11/2000 | | | | |
| 1-16 | FMHE0002902 | Front Cover | | 1 | | | |
| 1-17 | FBCB0030201 | Power Cord | QQ(Accessory) | 1 | D | | |
| | FBCB0030202 | Power Cord | Interchangeable | | | | |
| | EKA-0030001 | Power Cord | QP | 1 | D | | |
| 1-18 | FMMC0020201 | Caution Label ABC | | 1 | | | |
| 1-19 | FMBD0034501 | Rewinder Guide Plate | B-4905-H-QM | 1 | | | |
| 1-20 | FMQB0039501 | Filter Pad | QP(Accessory) | 1 | | | |
| 1-21 | FMHB0020801 | Filter Retainer | QP(Accessory) | 1 | | | |
| 1-22 | FMBB0036801 | FAN Filter | QP(Accessory) | 1 | | | |
| 1-23 | FMQB0039901 | FAN Spacer | | 1 | | | |
| 1-24 | FMMC0014502 | Roll Loading Instructions Label | | 1 | | | |
| | FMMC0023801 | | Changed:4/2000 | | | | |
| 1-25 | FMEB0119001 | Blind Plate | | 2 | | | |

*1: Q'ty/Unit *2: Recommended Parts *3: Revised Record *4: RoHS

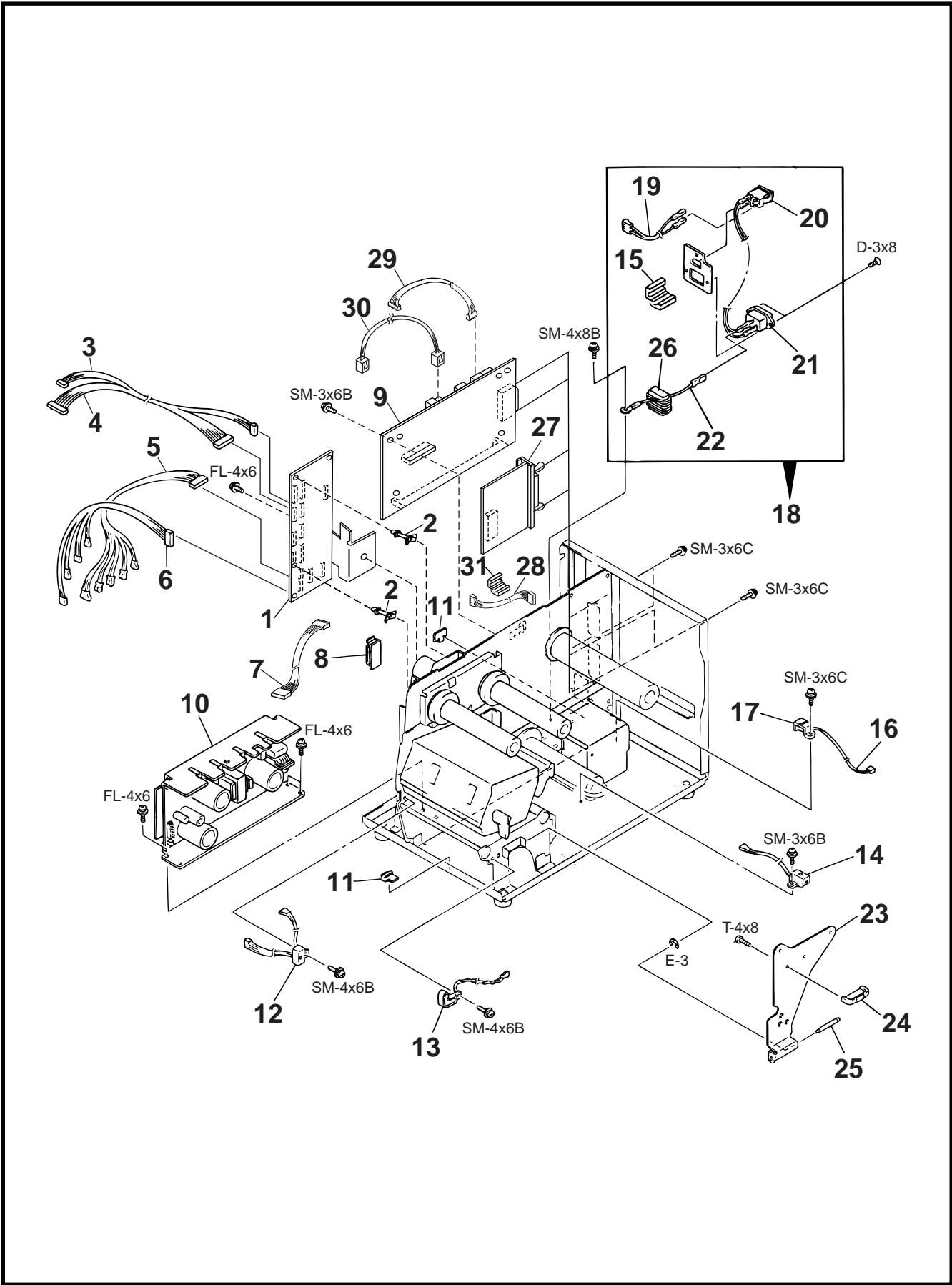
1

COVERS 2/2

| Ref.No. | Part No. | Description | Remarks | *1 | *2 | *3 | *4 |
|---------|-------------|----------------------------|--------------|----|----|----|----|
| 1-26 | ----- | Fanfold Paper Guide (Rear) | B-4905-FF-QM | 1 | | | |
| 1-27 | FMHB0031901 | Top Cover Edge Guard | | 2 | | | |
| 1-28 | JFQB0015001 | Flat Push Nut | | 2 | | | |
| 1-29 | FMEB0111401 | Damper Link L | | 1 | | | |
| 1-30 | FMEB0111501 | Damper Link S | | 1 | | | |
| 1-31 | FMDB0068901 | Damper Shaft L | | 1 | | | |
| 1-32 | FMQB0058201 | Damper Spring | | 1 | | | |
| 1-33 | FMCC0024101 | Supply Set label | Added:4:2000 | 1 | | | |

*1: Q'ty/Unit *2: Recommended Parts *3: Revised Record *4: New Parts

2 PC BOARD BLOCK



2**PC BOARD BLOCK 1/2**

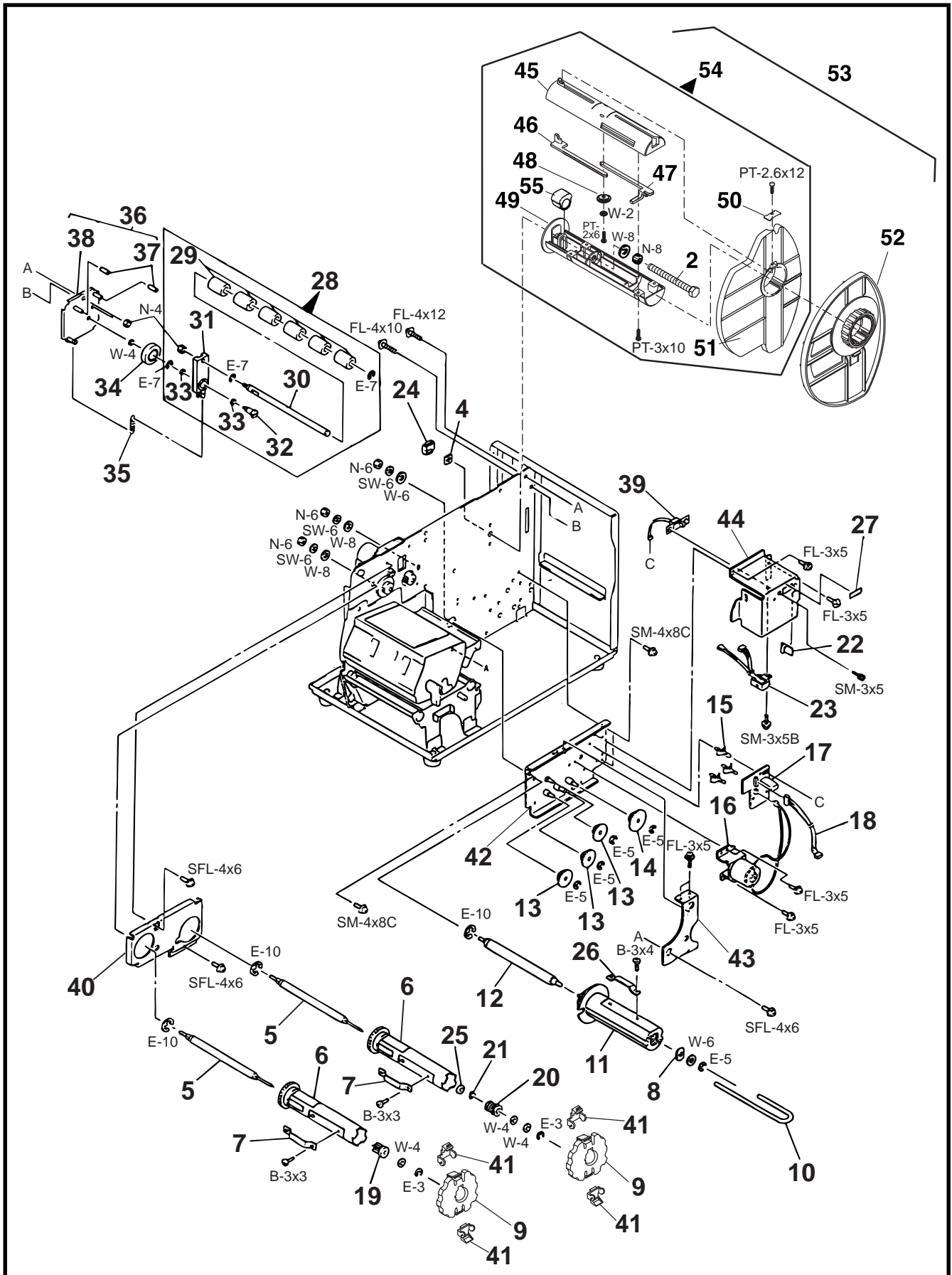
| Ref.No. | Part No. | Description | Remarks | *1 | *2 | *3 | *4 |
|---------|------------------------|--|----------------------|----|----|----|----|
| 2- 1 | FMBC0077401 | I/O PC Board Ass'y (Service No. B-275-01) | | 1 | E | | |
| 2- 2 | FDB-0107001 | Locking Support LCBT-14S | Inter- changeable | 2 | | | |
| | FDB-0056004 | Locking Support KGLS-14S | | | | | |
| 2- 3 | FMCB0056102 | LED Harness | | 1 | E | | |
| 2- 4 | FMCB0056202 | LCD Harness | | 1 | E | | |
| 2- 5 | FMCC0023202 | Sensor Harness | | 1 | E | | |
| 2- 6 | FMCC0023304 | DC Motor Harness | | 1 | E | | |
| 2- 7 | FMCB0088001 | PS Harness | | 1 | E | | |
| 2- 8 | 24060200098 | Clamp FCN-3010 | | 1 | | | |
| 2- 9 | FMBD0038401 | CPU PC Board Ass'y (Service No. 6-342-51) | QQ | 1 | E | | |
| | FMBD0038402 | CPU PC Board Ass'y (Service No. 6-342-52) | QP | 1 | E | | |
| 2-10 | GDB-0087001 | PS Unit | QQ | 1 | E | | |
| | GDB-0085001 | PS Unit | QP | 1 | E | | |
| 2-11 | 24088100910 | Clamp K-103G | | 3 | | | |
| 2-12 | FMBB0031301 | Strip Sensor (TR) | B-4905-H-QM | 1 | B | | |
| 2-13 | FMBB0029101 | Strip Sensor (LED) | B-4905-H-QM | 1 | B | | |
| 2-14 | FMBB0031501 | Rewind Full Sensor (LED) | B-4905-H-QM | 1 | B | | |
| 2-15 | DDA-0123001 | Ferrite Core | QQ | 1 | | | |
| | D0-04584000 | Ferrite Core SFC-5 | Changed:6/'06 | | | | |
| 2-16 | FMBB0029301 | TH Sensor | | 1 | B | | |
| 2-17 | EAHB0000201 | Sensor Holder | | 1 | | | |
| 2-18 | FMBB0027901 | Inlet Ass'y | QP | 1 | | | |
| | FMBB0027902 | Inlet Ass'y | QQ | 1 | | | |
| 2-19 | FMCB0058702 | Power Switch Harness | QP | 1 | E | | |
| | FMCB0058703 | Power Switch Harness | QQ | 1 | E | | |
| 2-20 | EBE-0054001 | Power Switch JWZ2120-1603 | | 1 | | | |
| | E0-01391000 | | Changed:6/'06 | | | | |

*1: Q'ty/Unit *2: Recommended Parts *3: Revised Record *4: New Parts

2**PC BOARD BLOCK 2/2**

| Ref.No. | Part No. | Description | Remarks | *1 | *2 | *3 | *4 |
|---------|---------------------------------------|--|---------------|----|----|----|----|
| 2-21 | EAG-0012001 E0-11056000 | Inlet AP-300-3B2(V) Inlet AP-300-2B2NI(V)BLK | Changed:6/'06 | 1 | D | | |
| 2-22 | FMCB0058502 | Earth Harness | | 1 | E | | |
| 2-23 | FMCB0062402 | Ribbon Shaft Holder Plate | | 1 | | | |
| 2-24 | FMHC0009501 | Ribbon Holder Knob | | 1 | | | |
| 2-25 | FMDB0056501 | Holder Plate Shaft | | 1 | | | |
| 2-26 | 24320600070 D0-04264000 | Ferrite Core ESD-R-25B | Changed:6/'06 | 1 | | | |
| 2-27 | FMBC0067601 | CENTRO PC Board Ass'y (Service No. B-278-01) | | 1 | E | | |
| 2-28 | FMCB0088701 | CENTOR Harness | | 1 | E | | |
| 2-29 | FMCB0088201 | CPU I/F Harness | | 1 | E | | |
| 2-30 | FMCB0088101 | CPU Power Harness | | 1 | E | | |
| 2-31 | DDA-0262005 | Ferrite Core TC-19-12-8 | | 1 | | | |

*1: Q'ty/Unit *2: Recommended Parts *3: Revised Record *4: New Parts



3**TAKE-UP BLOCK 1/2**

| Ref.No. | Part No. | Description | Remarks | *1 | *2 | *3 | *4 |
|----------------|-------------|---|----------------------------|----|----|----|----|
| 3-1 | FMHD0005601 | Supply Shaft | Disconcontinued: 4/2000 | ± | | | |
| 3- 2 | 24A300108A0 | Hex. Bolt H-8x100 | | 1 | | | |
| | X20K0880130 | Hex. Bolt H-8x80 | Changed:4/2000 | | | | |
| 3-3 | FMHD0005503 | Supply Holder | Disconcontinued: 4/2000 | ± | € | | |
| 3- 4 | 24A45310080 | Plate Nut | | 1 | | | |
| 3- 5 | FMDC0005701 | Ribbon Shaft | | 2 | | | |
| 3- 6 | FMCB0060501 | Ribbon Holder | | 2 | | | |
| 3- 7 | FMQB0036201 | Holder Stopper | | 2 | | | |
| 3- 8 | FMEB0084501 | Ribbon Shaft Stopper | B-4905-H-QM | 1 | | | |
| 3- 9 | FMHC0016901 | Ribbon Flange | | 2 | | | |
| 3-10 | FMDC0005901 | Take-up Clip | B-4905-H-QM | 1 | | | |
| 3-11 | FMCB0060601 | Take-up Holder | B-4905-H-QM | 1 | | | |
| 3-12 | FMDC0005601 | Take-up Shaft | B-4905-H-QM | 1 | | | |
| 3-13 | FMHB0019701 | Take-up Gear | B-4905-H-QM | 3 | D | | |
| 3-14 | FMHB0018201 | Idle Gear | B-4905-H-QM | 1 | D | | |
| 3-15 | FDB-0044001 | Locking Support LCBT-3S | B-4905-H-QM | 3 | | | |
| | FDB-0027001 | Locking Support KGLS-3S | | | | | |
| 3-16 | FMBB0030601 | Take-up Motor | B-4905-H-QM | 1 | E | | |
| 3-17 | FMBC0047101 | PWM2 PC Board Ass'y (Service No. B-236-01) | B-4905-H-QM | 1 | E | | |
| 3-18 | FMCB0056602 | Take-up/Cutter Harness | B-4905-H-QM | 1 | E | | |
| 3-19 | FMHB0020401 | Dummy Spacer | | 1 | | | |
| 3-20 | FMBC0035901 | Ribbon Back Tension Block | | 1 | A | | |
| 3-21 | FMEB0090701 | Back Tension Stopper | | 1 | | | |
| 3-22 | 24088100910 | Clamp K-103G | B-4905-H-QM | 1 | | | |
| 3-23 | FMBB0031401 | Rewind Full Sensor (TR) | B-4905-H-QM | 1 | B | | |
| 3-24 | FMHB0020501 | Nut Cap | | 1 | | | |
| 3-25 | FMQB0037201 | Ribbon Back Tension Washer | | 1 | | | |
| 3-26 | FMQB0036201 | Holder Stopper | B-4905-H-QM | 1 | | | |
| 3-27 | FMMB0044201 | Selection Switch Label | | 1 | | | |
| 3-28 | FMBC0048801 | Damper Arm Ass'y | | 1 | | | |
| 3-29 | FMHB0021701 | Damper Roller | | 6 | | | |
| 3-30 | FMDB0062201 | Damper Shaft | | 1 | | | |
| 3-31 | FMCB0075101 | Damper Arm Sub Ass'y | | 1 | | | |
| 3-32 | FMDB0062301 | Arm Shaft | | 1 | | | |

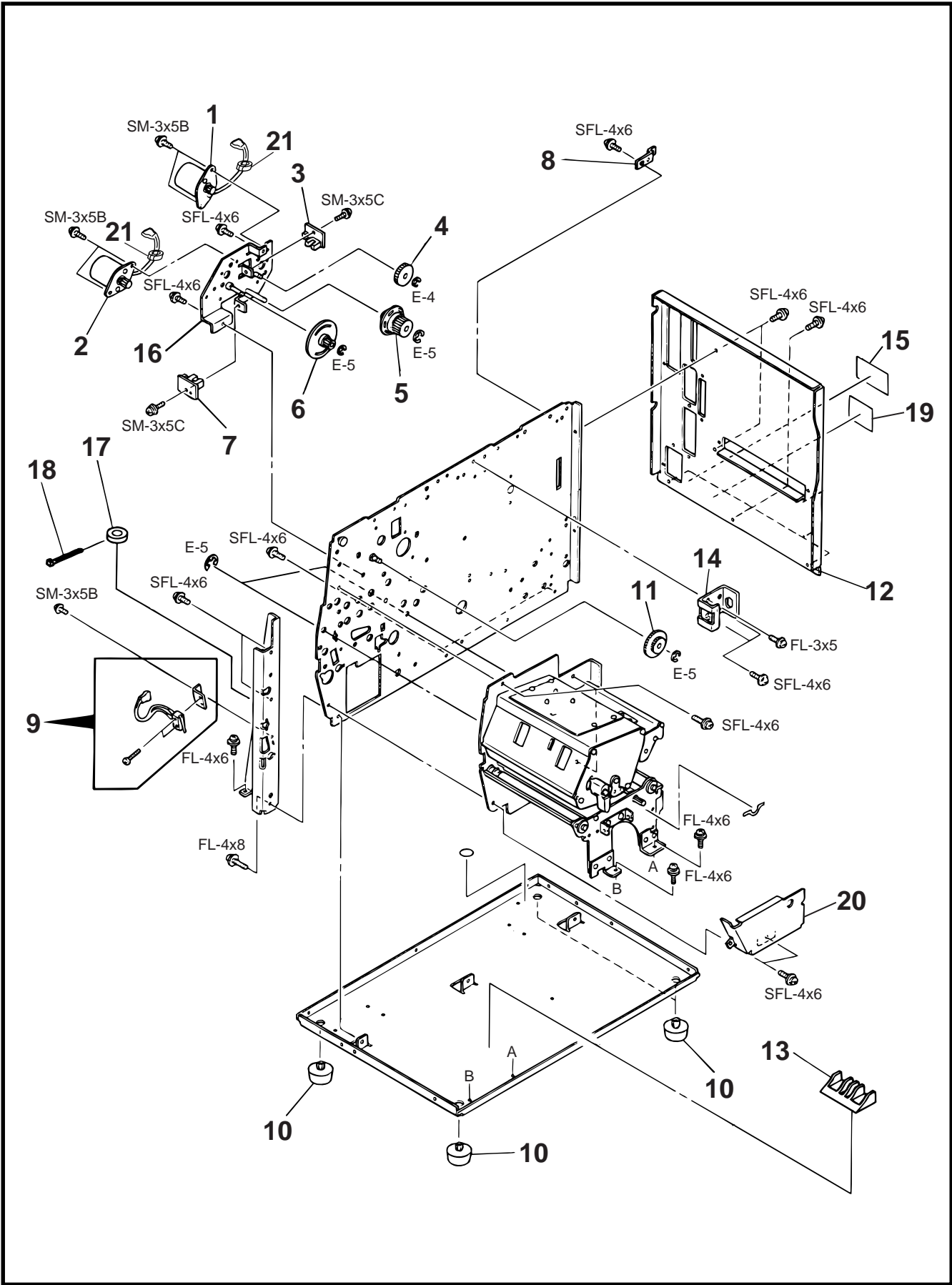
*1: Q'ty/Unit *2: Recommended Parts *3: Revised Record *4: New Parts

3**TAKE-UP BLOCK 2/2**

| Ref.No. | Part No. | Description | Remarks | *1 | *2 | *3 | *4 |
|---------|-------------|--------------------------------|-------------------------------|----|----|----|----|
| 3-33 | FMEB0092601 | Damper Washer | | 2 | | | |
| 3-34 | FMHB0021601 | Damper Spacer | | 1 | | | |
| 3-35 | FMQB0045501 | Damper Spring | | 1 | | | |
| 3-36 | FMBC0048701 | Damper Arm Stopper Plate Ass'y | | 1 | | | |
| 3-37 | FMQB0045601 | Damper Stopper Rubber | | 2 | | | |
| 3-38 | FMCC0030401 | Damper Arm Stopper | | 1 | | | |
| 3-39 | FMBB0041101 | Selection Switch Ass'y | | 1 | | | |
| 3-40 | FMEC0035901 | Gear Cover | | 1 | | | |
| 3-41 | FMHC0017001 | Ribbon Flange Hook | | 4 | | | |
| 3-42 | FMCC0024501 | Take-up Base | B-4905-H-QM | 1 | | | |
| 3-43 | FMEC0036401 | Take-up Cover A | B-4905-H-QM | 1 | | | |
| 3-44 | FMEC0036601 | Take-up Cover B | B-4905-H-QM | 1 | | | |
| 3-45 | FMHD0011801 | Supply Core A | Added:4/2000 | 1 | | | |
| 3-46 | FMHC0022801 | Supply Rack Gear L | Added:4/2000 | 1 | | | |
| 3-47 | FMHC0022901 | Supply Rack Gear R | Added:4/2000 | 1 | | | |
| 3-48 | FMHB0031501 | Supply Gear | Added:4/2000 | 1 | | | |
| 3-49 | FMHE0009601 | Supply Core B | Added:4/2000 | 1 | | | |
| 3-50 | FMEB0127401 | Holder Lock Plate | Added:4/2000 | 1 | | | |
| 3-51 | FMHE0009801 | Supply Holder L | Added:4/2000 | 1 | | | |
| 3-52 | FMBC0085001 | Supply Holder R Ass'y | Added:4/2000 | 1 | | | |
| 3-53 | FMBD0041201 | Supply Holder Ass'y | Added:4/2000 | 1 | | | |
| 3-54 | FMBD0041202 | Supply Holder Sub Ass'y | Service Parts Added:4/2000 | 1 | | | |
| 3-55 | FMHB0033501 | Supply Core Spacer | Added:7/2000 | 1 | | | |

*1: Q'ty/Unit *2: Recommended Parts *3: Revised Record *4: New Parts

4 RIBBON DRIVE BLOCK



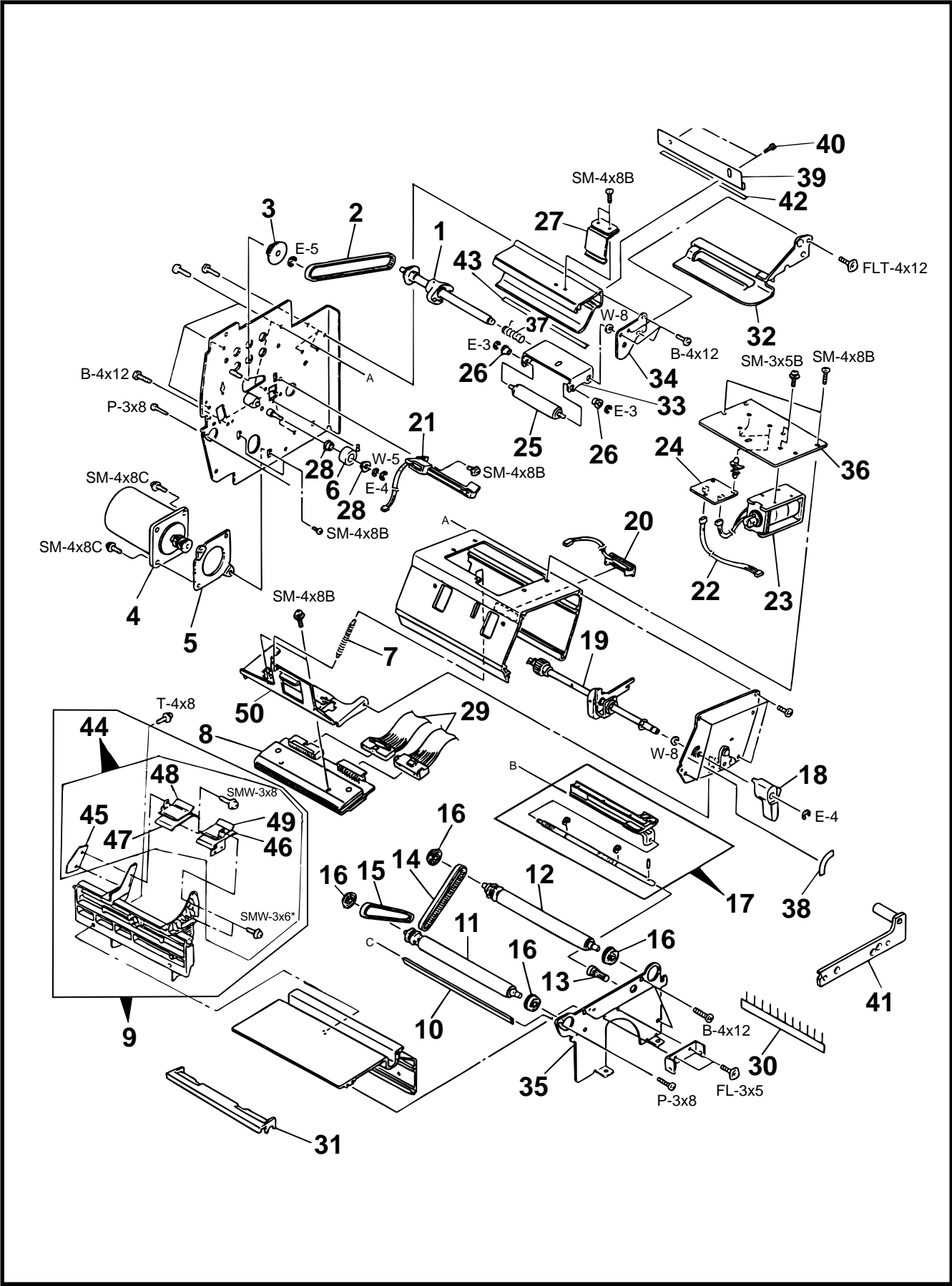
4

RIBBON DRIVE BLOCK

| Ref.No. | Part No. | Description | Remarks | *1 | *2 | *3 | *4 |
|---------|---------------------------------------|---|---------------|----|----|----|----|
| 4- 1 | FMBB0030502 | Ribbon Motor (Feed) [CONN. color:Red] | | 1 | E | | |
| 4- 2 | FMBB0030501 | Ribbon Motor (Rewind) [CONN. color:Black] | | 1 | E | | |
| 4- 3 | FMBB0028402 FMBB0028404 | Slit Sensor (Rewind) | Changed:7/'03 | 1 | B | | |
| PC1 | DED-0049001 DED-0093001 | Photo Coupler TLP826 Photo Coupler TLP832 | Changed:7/'03 | 1 | | | |
| CN1 | EAA-0585001 | CONN. 53015-0311 Black | | 1 | | | |
| 4- 4 | FMHB0018301 | Idle Gear | | 1 | D | | |
| 4- 5 | FMHC0008501 | Feed Slit Gear | | 1 | D | | |
| 4- 6 | FMHC0008201 | Rewind Slit Gear | | 1 | D | | |
| 4- 7 | FMBB0028401 FMBB0028403 | Slit Sensor (Feed) | Changed:7/'03 | 1 | B | | |
| PC1 | DED-0049001 DED-0093001 | Photo Coupler TLP826 Photo Coupler TLP832 | Changed:7/'03 | 1 | | | |
| CN1 | 24420201450 | CONN. 53015-0310 | | 1 | | | |
| 4- 8 | FMEB0085101 | PCB Attached Plate | | 1 | | | |
| 4- 9 | FMBB0030901 | Head Up Switch | | 1 | E | | |
| 4-10 | 24089157031 | Plastic Foot 1325 | | 4 | | | |
| 4-11 | FMHB0018201 | Idle Gear | | 1 | D | | |
| 4-12 | FMEE0015801 | Rear Cover | | 1 | | | |
| 4-13 | FMBB0037501 | Rewinder Paper Guide | B-4905-H-QM | 1 | | | |
| 4-14 | FMEB0087801 | Damper Bracket | | 1 | | | |
| 4-15 | FMMB0045801 | DOC Label | QQ | 1 | | | |
| 4-16 | FMCC0024001 | Ribbon Motor Attach Plate | | 1 | | | |
| 4-17 | DDA-0122001 | Ferrite Core TFC-23-11-14 | | 1 | | | |
| 4-18 | FDC-0010001 | Fasten Band ALT096S TC-100 | | 1 | | | |
| 4-19 | FMMB0062101 | EU Standard Mark | QP | 1 | | | |
| | FMMB0034501 | FCC Label | QQ | 1 | | | |
| 4-20 | FMEC0037001 | Drive Block Gear Cover | | 1 | | | |
| 4-21 | DDA-0265005 | Ferrite Core SFT-59S | | 2 | | | |

*1: Q'ty/Unit *2: Recommended Parts *3: Revised Record *4: New Parts

5 **PRINTER BLOCK**



5

PRINTER BLOCK 1/2

| Ref.No. | Part No. | Description | Remarks | *1 | *2 | *3 | *4 |
|---------|---------------------------------------|---|------------------------------|----|----|----|----|
| 5- 1 | FMBB0031101 | Pinch Roller Shaft | | 1 | | | |
| 5- 2 | FCA-0072001 | Timing Belt 40S3M300 | | 1 | B | | |
| 5- 3 | FMHB0017801 | Pinch Roller Gear B | | 1 | | | |
| 5- 4 | FMBB0035202 | Stepping Motor | | 1 | E | | |
| 5- 5 | FMEB0086902 | Motor Bracket | | 1 | | | |
| 5- 6 | FMDB0054902 | Idle Roller | See NOTE 1 | 1 | | | |
| 5- 7 | FMQB0034501 | Head Up Spring | | 1 | | | |
| 5- 8 | GBC-0054004 | Print Head (KCE-107-12MPT2-TEN) Print Head (KCE-107-12MPT1-TEN) | Corrected:9/'99 | 1 | A | | |
| 5- 9 | FMBD0025103 FMBD0025104 | Paper Guide Ass'y | Changed:6/'04 | 1 | | | |
| 5-10 | FMGB0000401 | Strip Shaft | | 1 | | | |
| 5-11 | FMBB0030701 | Platen | | 1 | B | | |
| 5-12 | FMBB0030702 | Feed Roller | | 1 | B | | |
| 5-13 | FMHB0018101 | Knob | | 1 | | | |
| 5-14 | FCA-0076001 | Timing Belt 60S2M190 | | 1 | B | | |
| 5-15 | FCA-0075001 | Timing Belt 60S2M200 | | 1 | B | | |
| 5-16 | FAA-0056001 FO-01326000 | Holder LNR-1680HHR Shaft Holder LNR-1680HHR | Changed:7/'04 | 4 | B | | |
| 5-17 | FMBC0034301 | Paper Sensor Ass'y | | 1 | B | | |
| 5-18 | FMHB0020601 | Head Lever | | 1 | | | |
| 5-19 | FMBC0034402 | Head Cam Shaft Ass'y | | 1 | | | |
| 5-20 | FMBB0032401 | Ribbon End Sensor (TR) | | 1 | B | | |
| 5-21 | FMBB0032301 | Ribbon End Sensor (LED) | | 1 | B | | |
| 5-22 | FMCB0056702 | Solenoid Harness | B-4905-R-QM | 1 | E | | |
| 5-23 | FMBB0032101 FMBB0032106 | Solenoid | B-4905-R-QM Changed:8/'05 | 1 | D | | R |
| 5-24 | FMBB0029601 | RSV PC Board Ass'y (Service No. B-200-01) | B-4905-R-QM | 1 | E | | |
| Q1 | CBA-0327001 | PNP XISTOR. 2SB1268 | | 1 | | | |
| R1 | DBA-103JA2F | Carbon RSTR. RD1/4SSTJ 10K Ω | | 1 | | | |
| | DBA-103JA2S | Carbon RSTR. SRD1/4S10K0HMJ | | | | | |
| F1 | EHA-0076007 | Fuse CCV-1AF12.5 1A | | 1 | D | | |
| D1,2 | 2421BAM01Z0 | Diode AM01Z | | 2 | | | |
| CN1 | EAA-1178001 | CONN. 53014-0310 | | 1 | | | |
| CN2 | EAA-0589001 | CONN. 53014-0213 | | 1 | | | |
| 5-25 | FMQB0034301 | Pinch Roller | | 1 | B | | |

*1: Qty/Unit *2: Recommended Parts *3: Revised Record *4: New Parts

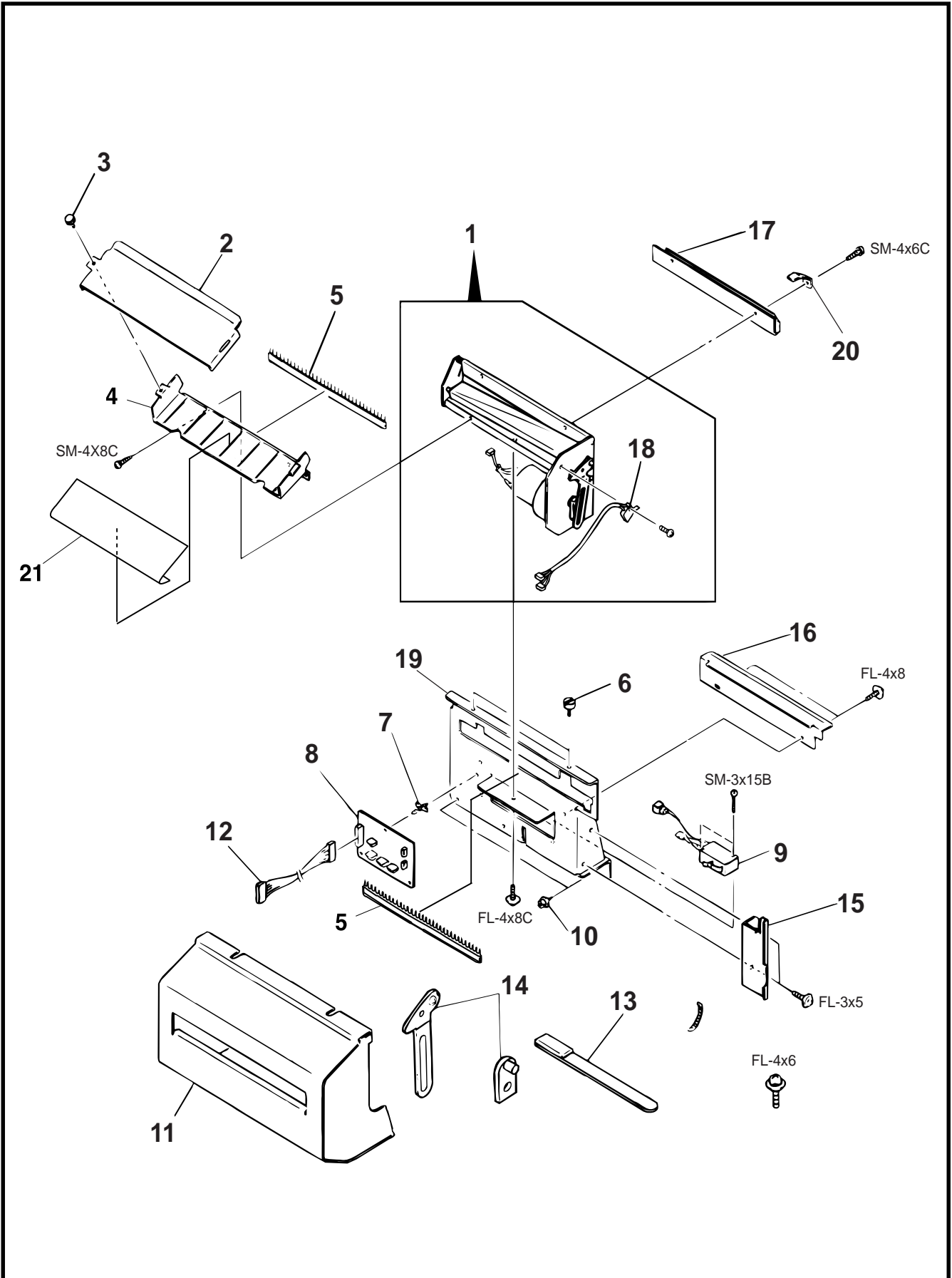
5

PRINTER BLOCK 2/2

| Ref.No. | Part No. | Description | Remarks | *1 | *2 | *3 | *4 |
|---|------------------------|----------------------------|----------------|----|----|----|----|
| 5-26 | HDA-0033001 | Shaft Holder B-F4-73 | | 2 | B | | |
| 5-27 | FMCB0065301 | Spring Plate | | 1 | | | |
| 5-28 | FAF-0022001 | Shaft Holder B-F5-53 | | 2 | B | | |
| 5-29 | FMCC0025304 | Head Harness | | 1 | E | | |
| 5-30 | FMQB0037901 | Brush 30mm | | 1 | | | |
| | FMQB0037801 | Brush 70mm | | 1 | | | |
| | FMQB0037701 | Brush 135mm | | 1 | | | |
| | FMQB0037601 | Brush 163mm | | 1 | | | |
| 5-31 | FMYC0000401 | Print Head Jig | Service Part | | | | |
| 5-32 | FMCC0028601 | Media Guide Plate | | 1 | | | |
| 5-33 | FMEB0084201 | Pinch Roller Stopper Plate | | 1 | | | |
| 5-34 | FMEB0084302 | Pinch Roller Cover | | 1 | | | |
| 5-35 | FMEC0035411 | Right Plate | | 1 | | | |
| | FMEC0035412 | | Changed:5/2001 | | | | |
| 5-36 | FMEC0035101 | Solenoid Attaching Plate | | 1 | | | |
| 5-37 | FMQB0042701 | Pinch Roller Spring | | 1 | | | |
| 5-38 | FMMB0037803 | Head Open Label | | 1 | | | |
| 5-39 | FMEC0044601 | Guide Plate | | 1 | | | |
| 5-40 | 24A31040406 | Hex. Bolt Screw M-4x6 | | 2 | | | |
| 5-41 | FMYC0001001 | Pinch Roller Jig | Service Part | | | | |
| 5-42 | FMQB0053701 | Teflon Sheet A | | 1 | | | |
| 5-43 | FMQB0053801 | Teflon Sheet B | | 1 | | | |
| 5-44 | FMBB0046701 | Paper Holder Ass'y | | 1 | | | |
| 5-45 | FMEB0098001 | Paper Holder Support | | 1 | | | |
| 5-46 | FMEB0108201 | Paper Holder R (Lower) | | 1 | | | |
| | FMEB0108202 | | Changed:6/'04 | | | | |
| 5-47 | FMEB0108001 | Paper Holder L (Lower) | | 1 | | | |
| | FMEB0108002 | | Changed:6/'04 | | | | |
| 5-48 | FMEB0108101 | Paper Holder L (Upper) | | 1 | | | |
| | FMEB0108102 | | Changed:6/'04 | | | | |
| 5-49 | FMEB0108301 | Paper Holder R (Upper) | | 1 | | | |
| | FMEB0108302 | | Changed:6/'04 | | | | |
| 5-50 | FMBB0059601 | Head Bracket Ass'y | | 1 | | | |
| NOTE 1: Attach the idle roller so that the side grooved deeper faces the E-4 E-ring. | | | | | | | |

*1: Q'ty/Unit *2: Recommended Parts *3: Revised Record *4: New Parts

6 SWING CUTTER MODULE (B-4205-QM)



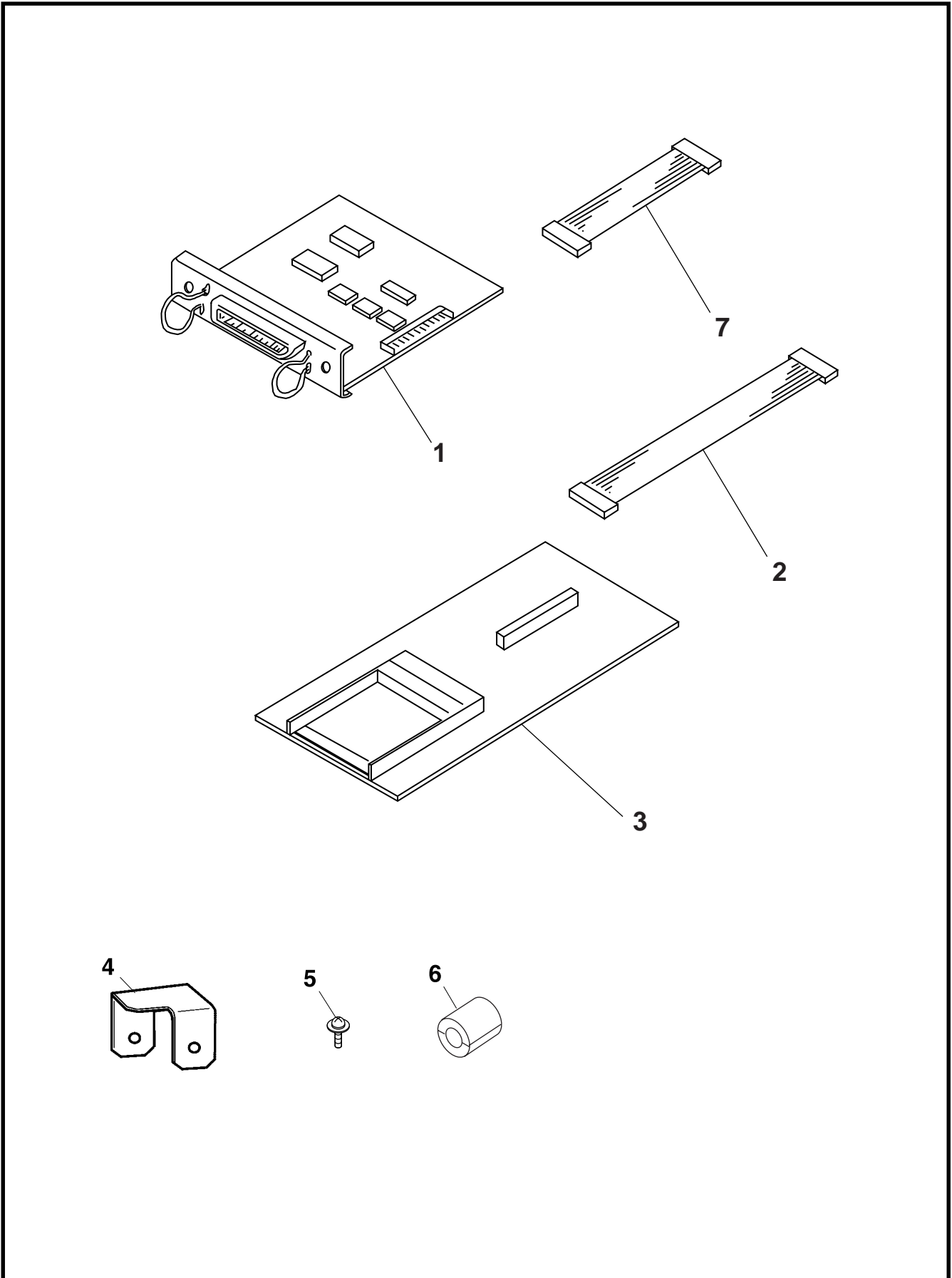
6

SWING CUTTER MODULE (B-4205-QM)

| Ref.No. | Part No. | Description | Remarks | *1 | *2 | *3 | *4 |
|---------|---------------------------------------|--|---------------|--------|----|----|----|
| 6- 1 | GFM-0060001 G0-00411000 | Cutter Unit | Changed:8/'06 | 1 | E | | |
| 6- 2 | FMBC0037301 | Media Guide B | | 1 | | | |
| 6- 3 | 24741710304 | White Screw M-3x4 | | 1 | A | | |
| 6- 4 | FMCC0025401 | Media Guide A | | 1 | | | |
| 6- 5 | FMQB0038201 | Brush 128 mm | Added:4/2001 | ± 2 | | | |
| 6- 6 | HDA-0038001 | Cover Holding Screw | | 2 | A | | |
| 6- 7 | FDB-0044001 | Locking Support LCBT-3S | | 3 | | | |
| 6- 8 | FMBB0034301 | CUT I/F PC Board Ass'y (Service No. B-199-01) | | 1 | E | | |
| 6- 9 | FMBB0034401 | Cover Open Switch | | 1 | E | | |
| 6-10 | FMDB0056601 | Cutter Attaching Screw | | 2 | A | | |
| 6-11 | FMBC0037001 | Cutter Cover | | 1 | | | |
| 6-12 | FMCB0056602 | Take-up/Cutter Harness | | 1 | E | | |
| 6-13 | FMQB0051601 | Cleaner | | 1 | A | | |
| 6-14 | ZBA-1464001 | Arm and Clutch Kit | Service Part | | | | |
| 6-15 | FMEB0091701 | Cutter Link Cover | | 1 | | | |
| 6-16 | FMEC0038301 | Cutter Guide Plate B | | 1 | | | |
| 6-17 | FMEC0038201 | Cutter Guide Plate A | | 1 | | | |
| 6-18 | ZBA-2095001 | Cutter Micro Switch Ass'y | | 1 | | | |
| 6-19 | FMED0020101 | Cutter Frame | | 1 | | | |
| 6-20 | FMEB0091201 | Cutter Release Lever | | 1 | | | |
| 6-21 | FMQB0046801 | Cutter Guide Sheet | Added:4/2001 | 1 | | | |

*1: Q'ty/Unit *2: Recommended Parts *3: Revised Record *4: New Parts

7 OPTIONAL PARTS



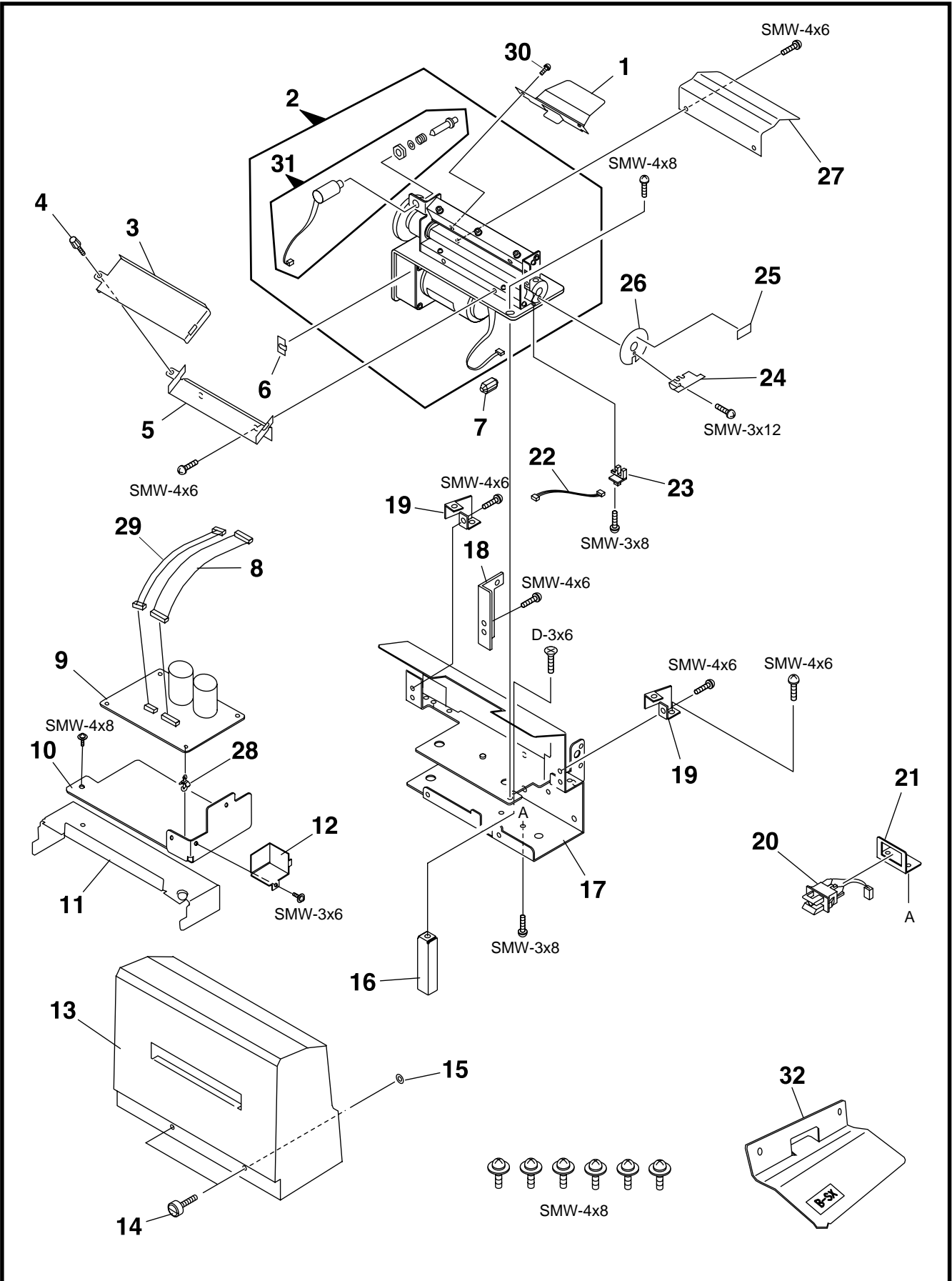
7

OPTIONAL PARTS

| Ref.No. | Part No. | Description | Remarks | *1 | *2 | *3 | *4 |
|---------|-------------|--|--|----|----|----|----|
| 7- 1 | ----- | EXP I/O PC Board Ass'y (Service No. B-279-01) | B-8700-IO-QM | 1 | E | | |
| 7- 2 | FMCB0088801 | Exp I/O Herness (Long) | B-8700-IO-QM | 1 | E | | |
| 7- 3 | ----- | H50 VGA PC Board Ass'y (Service No. 6-345-02) | B-8700-PC-QM | 1 | E | | |
| 7- 4 | FMEB0128401 | PCB Holder Plate | B-8700-PC-QM Added:2/2000 | 1 | | | |
| 7- 5 | X0110308137 | Sems Screw SM-3x8C | B-8700-PC-QM Added:2/2000 | 4 | | | |
| 7- 6 | DDA-0265004 | Ferrite Core SFT-36S | B-8700-PC-QM Added:2/2000 | 1 | | | |
| 7- 7 | FMCB0104001 | EXP I/O Haarness (Short) | B-8700-IO-QM (Not used for B-480 Series) Added:1/2001 | 1 | | | |

*1: Q'ty/Unit *2: Recommended Parts *3: Revised Record *4: New Parts

8 ROTARY CUTTER MODULE (B-8204-QM)



| | |
|----------|---|
| 8 | ROTARY CUTTER MODULE (B-8204-QM) |
|----------|---|

| Ref.No. | Part No. | Description | Remarks | *1 | *2 | *3 | *4 |
|---------|--|---------------------------------|---------------------------|----|----|----|----|
| 8- 1 | FMEC0069101 | Cutter Paper Guide C | | 1 | | | |
| 8- 2 | GFM-0066001 | Cutter Unit | | 1 | E | | |
| 8- 3 | FMBB0043601 | Paper Guide A | | 1 | | | |
| 8- 4 | 24741710304 | White Screw M-3x4 | | 1 | | | |
| 8- 5 | FMBB0043701 | Paper Guide B | | 1 | | | |
| 8- 6 | 24088100910 | Clamp K-103G | | 1 | | | |
| 8- 7 | DDA-0156001 | Ferrite Bead SFC-4 | | 1 | | | |
| 8- 8 | FMCB0056602 | Cutter DRV Harness A | | 1 | | | |
| 8- 9 | FMBC0070801 | Rotary Cutter PC Board Ass'y | | 1 | | | |
| 8-10 | FMEC0068601 FMEC0068602 | Rotary Cutter Guide Plate C | Changed:1/'05 | 1 | | | |
| 8-11 | FMEC0068501 | Rotary Cutter Guide Plate B | | 1 | | | |
| 8-12 | FMEC00669401 FMEC0069401 | Rotary Cutter PC Board Cover | Corrected:6/'03 | 1 | | | |
| 8-13 | FMCD0018501 | Cutter Cover | | 1 | | | |
| 8-14 | HDA-0058001 | Cover Holding Screw TL-233 No.4 | | 2 | A | | |
| 8-15 | HZC-0006001 | Speed Nut TM-147-2 | | 2 | | | |
| 8-16 | FMEB0106301 | Cutter Support Plate A | | 1 | | | |
| 8-17 | FMCC0050101 | Main Frame | | 1 | | | |
| 8-18 | FMEB0126701 | Cutter Support Plate | | 1 | | | |
| 8-19 | FMEC0069301 | Rotaty Cutter Frame B | | 2 | | | |
| 8-20 | FMCB0073902 | Cutter Interlock Switch | | 1 | E | | |
| 8-21 | FMEB0103001 | Switch Plate | | 1 | | | |
| 8-22 | FMCB0072401 | Cutter Harness | | 1 | E | | |
| 8-23 | FMCB0077101 | Home Position Sensor | | 1 | B | | |
| 8-24 | FMEB0106201 | Release Lever | | 1 | | | |
| 8-25 | FMMB0050101 | Jam Clear Label | | 1 | | | |
| 8-26 | FMEB0102801 | Sensor Plate | | 1 | | | |
| 8-27 | FMEC0069201 | Cutter Paper Guide D | | 1 | | | |
| 8-28 | FDB-0044001 | Locking Support LCBT-3S | | 4 | | | |
| 8-29 | FMCB0101501 | Cutter DRV Harness B | | 1 | | | |
| 8-30 | HAA-0004001 | Set Screw M-4x6 | | 2 | | | |
| 8-31 | ZBA-2318001 | Trigger Solenoid | Added:6/2001 | 1 | | | |
| 8-32 | FMBC0102401 | B-SX Cutter Paper Guide C | Accessory Added:10/'03 | 1 | | | |

*1: Q'ty/Unit *2: Recommended Parts *3: Revised Record *4: New Parts

| | |
|----------|--------------------------------|
| 9 | MISCELLANEOUS PARTS 1/2 |
|----------|--------------------------------|

| Ref.No. | Part No. | Description | Remarks | *1 | *2 | *3 | *4 |
|----------|-------------|---------------------------------|-----------------------------|----|----|----|----|
| SM-3x5B | 24BB0010305 | Sems Screw SM-3x5B | | | | | |
| SM-3x5C | 24BP0010305 | Sems Screw SM-3x5C | | | | | |
| SM-3x6B | 24BB0010306 | Sems Screw SM-3x6B | | | | | |
| SM-3x6C | 24BP0010306 | Sems Screw SM-3x6C | | | | | |
| SM-3x8C | X0110308137 | Sems Screw SM-3x8C | Added:2/2000 | | | | |
| SM-3x15B | 24BB0010315 | Sems Screw SM-3x15B | | | | | |
| SM-4x6B | 24BB0010406 | Sems Screw SM-4x6B | | | | | |
| SM-4x6C | 24BP0010406 | Sems Screw SM-4x6C | | | | | |
| SM-4x8B | 24BB0010408 | Sems Screw SM-4x8B | | | | | |
| SM-4x8C | 24BP0010408 | Sems Screw SM-4x8C | | | | | |
| SM-4x10C | 24BP0010410 | Sems Screw SM-4x10C | | | | | |
| SMW-3x6 | X0110306137 | Doble Sems Screw SMW-3x6 | Added:9/'99 | | | | |
| SMW-3x6* | X0-00055000 | Double Sems Screw M-3x6 | Small washer Added:6/'04 | | | | |
| SMW-3x8 | X0110308136 | Doble Sems Screw SMW-3x8 | Added:9/'99 | | | | |
| | X0-00072000 | Double Sems Screw M-3x8 | Small washer Added:6/'04 | | | | |
| SMW-3x12 | X0110312136 | Doble Sems Screw SMW-3x12 | Added:9/'99 | | | | |
| SMW-4x6 | X0110406136 | Doble Sems Screw SMW-4x6 | Added:9/'99 | | | | |
| SMW-4x8 | X0110408137 | Doble Sems Screw SMW-4x8 | Added:9/'99 | | | | |
| FL-3x5 | 24B50010305 | Flanged Screw FL-3x5 | | | | | |
| FL-4x5 | 24B50010405 | Flanged Screw FL-4x5 | | | | | |
| FL-4x6 | 24B50010406 | Flanged Screw FL-4x6 | | | | | |
| FL-4x8 | 24B50010408 | Flanged Screw FL-4x8 | | | | | |
| FL-4x12 | 24A10510412 | Flanged Screw FL-4x12 | | | | | |
| SFL-3x6 | 24A16710306 | S Tite Flanged Screw SFL-3x6 | | | | | |
| SFL-4x6 | 24A16710406 | S Tite Flanged Screw SFL-4x6 | | | | | |
| SFL-4x8 | 24A16710408 | S Tite Flanged Screw SFL-4x8 | | | | | |
| B-2x8 | 24B05040208 | Bind Screw B-2x8 | | | | | |
| B-3x3 | 24B05040303 | Bind Screw B-3x3 | | | | | |
| B-3x4 | 24B05040304 | Bind Screw B-3x4 | | | | | |
| B-4x5 | 24B05040405 | Bind Screw B-4x5 | | | | | |
| B-4x12 | 24A10510412 | Bind Screw B-4x12 | with Tapping | | | | |
| B-4x35 | 24B05040435 | Bind Screw B-4x35 | | | | | |
| T-2x6 | 24A17010206 | Tap Tight Screw T-2x6 | | | | | |
| T-3x8 | 24A17010308 | Tap Tight Screw T-3x8 | | | | | |
| T-4x6 | 24A17010406 | Tap Tight Screw T-4x6 | | | | | |
| T-4x8 | 24A17040408 | Tap Tight Screw T-4x8 | | | | | |

*1: Q'ty/Unit *2: Recommended Parts *3: Revised Record *4: New Parts

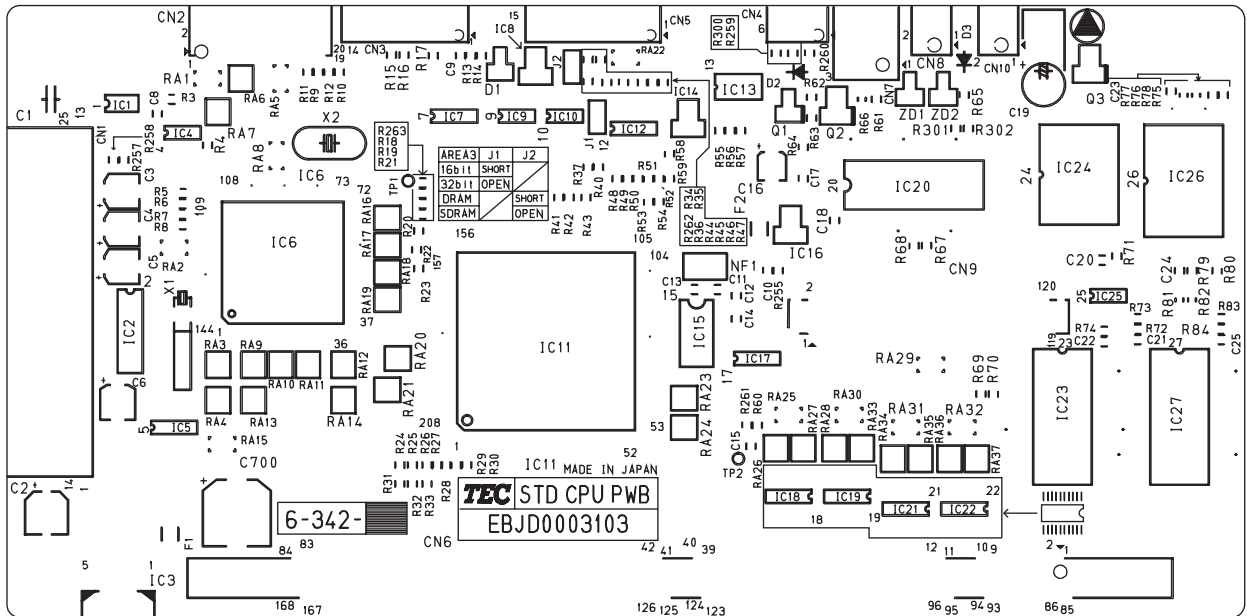
9 MISCELLANEOUS PARTS 2/2

| Ref.No. | Part No. | Description | Remarks | *1 | *2 | *3 | *4 |
|-----------|------------------------|---------------------------------------|----------------|----|----|----|----|
| P-3x8 | 24A10040308 | Pan Head Screw P-3x8 | | | | | |
| P-4x8 | 24A10040408 | Pan Head Screw P-4x8 | | | | | |
| PT-2x6 | X0610206133 | Pan Head Tap Tight Screw PT-2x6 | Added:4/2000 | | | | |
| PT-2.6x12 | X0612F12133 | Pan Head Tap Tight Screw PT-2.6x12 | Added:4/2000 | | | | |
| PT-3x10 | X0610310133 | Pan Head Tap Tight Screw PT-3x10 | Added:4/2000 | | | | |
| D-3x6 | X0140306130 | Dish Head Screw D-3x6 | Added:9/'99 | | | | |
| D-3x8 | 24B01010308 | Dish Head Screw D-3x8 | | | | | |
| E-3 | 24A64050030 | E-Ring E-3 | | | | | |
| E-4 | 24A64050040 | E-Ring E-4 | | | | | |
| E-5 | 24A64050050 | E-Ring E-5 | | | | | |
| E-7 | 24A64050070 | E-Ring E-7 | | | | | |
| E-10 | 24A64050100 | E-Ring E-10 | | | | | |
| W-2 | X7170200130 | Washer W-2 | Added:4/2000 | | | | |
| W-4 | 24A62101040 | Washer W-4 | | | | | |
| W-5 | 24A62101050 | Washer W-5 | | | | | |
| W-6 | 24A62101060 | Washer W-6 | t=0.8 | | | | |
| | 24A62001060 | Washer W-6 | t=1.0 | | | | |
| W-8 | 24A62101080 | Washer W-8 | t=0.8 | | | | |
| | 24A62001080 | Washer W-8 | t=1.6 | | | | |
| | X7170800130 | | Changed:7/2000 | | | | |
| SW-6 | 24A60001060 | Spring Washer SW-6 | | | | | |
| N-4 | 24A40010400 | Nut N-4 | | | | | |
| N-6 | 24A40010600 | Nut N-6 | | | | | |
| N-8 | X5110800130 | Nut N-8 | Added:7/2000 | | | | |

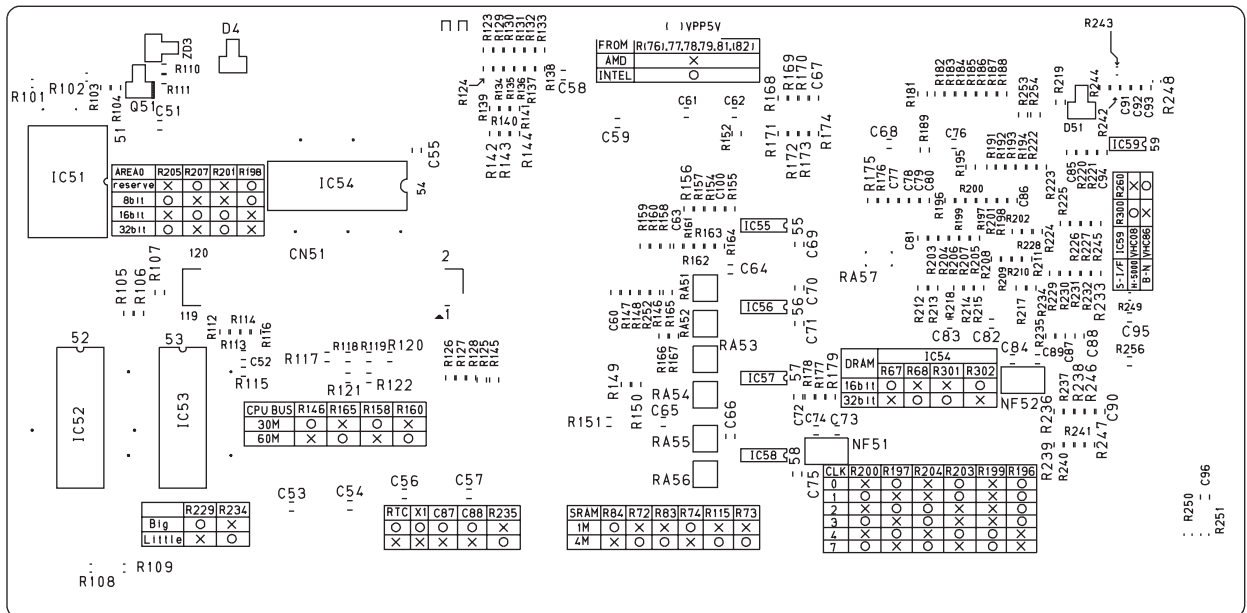
*1: Q'ty/Unit *2: Recommended Parts *3: Revised Record *4: New Parts

1 CPU PC BOARD ASS'Y

<Component side>



<Solder side>



| | |
|---|-------------------------------|
| 1 | CPU PC BOARD ASS'Y 1/4 |
|---|-------------------------------|

| Ref.No. | Part No. | Description | Remarks | *1 | *2 | *3 | *4 |
|--|------------------------|--|-----------------|----|----|----|----|
| | FMBD0038401 | STD CPU(N) PC Board Ass'y (Service No.: 6-342-51) | QQ | 1 | E | | |
| | FMBD0038402 | STD CPU(N) PC Board Ass'y (Service No.: 6-342-52) | QP | 1 | E | | |
| IC1 | CAG-0019001 | Linear IC μPC393G2-T1 | Changed:11/'06 | 1 | E | | R |
| | C0-07398001 | Linear IC μPC393G2-T1-A | | | | | |
| IC2 | CAH-0071001 | SOP20P MC145407FR1 | | 1 | E | | |
| IC4,10 | CAM-003229A | CMOS SSOP14P TC74VHC32FT(EL) | | 2 | E | | |
| IC5,7,17,55~ 58 | CAM-024430A | CMOS SSOP20P TC74LCX244FT | | 7 | E | | |
| IC6 | CAA-0342001 | CPU QFP144P HD6417708F60 | | 1 | E | | |
| IC11 | CAJ-0442001 | QFP208P SLA411T EC-M227 | | 1 | E | | |
| IC12 | CAM-024429A | CMOS SSOP20P TC74VHC244FT | | 1 | E | | |
| IC13 | CAF-024415F | TTL SSOP20P SN74ALS244BDB (ER20) | | 1 | E | | |
| IC15 | CAD-0288001 | ROM DIP8P M93C46-BN6 | Added:1/'07 | 1 | E | | R |
| | C0-13390000 | ROM DIP8P AT93C46-10PU-1.8 | | | | | |
| IC18,19,21,22 | CAF-024522F | CMOS SSOP20P SN74LVC245APW | Changed:11/'06 | 4 | E | | R |
| | C0-11019001 | CMOS SSOP20P SN74LVC245APWR | | | | | |
| | CAM-024530A | CMOS SSOP20P TC74LCX245FT | | | | | |
| | C0-01288001 | CMOS SSOP20P TC74LCX245FT(EL) | Changed:11/'06 | | | | R |
| IC20,54 | CAC-0481001 | DRAM μPD42S65G5-A60-7JF | | 2 | E | | |
| | CAC-0524001 | GM71VS65163CLT-5 | Added:8/'99 | | | | |
| | CAC-0391001 | KM416V4104CS-L6 | Added:8/'99 | | | | |
| | CAC-0523001 | HM5165165LTT-6 | Added:8/'99 | | | | |
| | CAC-0523002 | HM5165165FLTT-6 | Changed:2/2000 | | | | |
| IC25 | CAM-000029A | CMOS SSOP14P TC74VHC00FT | | 1 | E | | |
| IC26,51 | FMBC0080201 | ROM B-480 ROM IC26 | Corrected:9/'99 | ± | E | | |
| | CAD-0301001 | Flash ROM MBM29LV160T-90PFTN | | | | | |
| | CAD-0404001 | Flash ROM MBM29LV160TE90TN | Changed:11/2000 | 2 | E | | |
| | FMBC0080203 | ROM B-480 ROM IC26 | Corrected:8/'03 | 1 | E | | |
| IC51 | FMBC0080301 | ROM B-480 ROM IC51 | | ± | E | | |
| IC51 | FMBC0080303 | ROM B-480 ROM IC51 | Corrected:8/'03 | 1 | E | | |
| IC59 | CAM-008629A | CMOS SOP14P TC74VHC86FT | | 1 | E | | |
| D51 | CBE-0049006 | Chip Diode 1SS187(TE85R) | Inter- | 1 | | | |
| | CBE-0158003 | Chip Diode DAN202KT146 | changeable | | | | |
| | | | Deleted:4/2000 | | | | |
| | | < Chip RSTR. > | | | | | |
| R3,11,12,15~ 17,24~26,28, 29,37,40,54, 58,106,107, 113,116,123, 129~133,139~ 141,147,149, 150,178,196, 197,262 | DBK-103JA5A | MCR03EZHJ103 10K ohm 1/16W | Changed:11/'06 | 35 | | | R |
| | D0-23895001 | MCR03EZPJ103 10K ohm 1/16W | | | | | |
| | DBK-103JA5S | RGC168TRJ103 10K ohm 1/16W | | | | | |
| | D0-02577001 | | Changed:11/'06 | | | | |

*1: Q'ty/Unit *2: Recommended Parts *3: Revised Record *4: RoHS

| | |
|----------|-------------------------------|
| 1 | CPU PC BOARD ASS'Y 2/4 |
|----------|-------------------------------|

| Ref.No. | Part No. | Description | Remarks | *1 | *2 | *3 | *4 |
|---|--|--|----------------------------------|----|----|----|--------|
| R4~6, 18~23, 27 30~33, 41~43, 48~53, 55~57, 59, 60, 69~71, 75, 80, 105, 112, 114, 126~ 128, 148, 151, 154~157, 159, 161~164, 166~ 176, 191~195, 202, 206, 208~ 211, 214, 218, 222~227, 230~ 233, 245, 254, 261, 263 | DBK-680JA5A D0-25608001 | MCR03EZHJ680 68 ohm 1/16W MCR03EZPJ680 68 ohm 1/16W | | 88 | | | |
| R7, 8, 177, 201, 204, 207, 212, 213, 215, 217, 228, 229, 235 | DBK-473JA5A D0-23929001 DBK-473JA5S | MCR03EZHJ473 47K ohm 1/16W MCR03EZPJ473 47K ohm 1/16W RGC168TRJ473 47K ohm 1/16W | Changed:11/'06 | 13 | | | R |
| R9, 10, 34~36, 44~47, 117~ 122, 124, 125, 134~138, 142~ 145, 181~189, 236~241, 246, 247 | DBK-101JA5A D0-23891001 DBK-101JA5S D0-02575001 | MCR03EZHJ101 100 ohm MCR03EZPJ101 100 ohm RGC168TRJ101 100 ohm | Changed:11/'06 Changed:11/'06 | 43 | | | R R |
| R68, 146, 158, 179, 301 | DBK-R00JA5A D0-23887001 D0-02511001 | MCR03EZHJ000 0 ohm MCR03EZPJ000 0 ohm RGC168TRJR00 0 ohm | Changed:11/'06 Added:11/'06 | 4 | | | R |
| R101, 102, 108, 109, 243, 248~ 251 | DBK-R00JA4A D0-19898001 DBK-000JA4A | MCR10EZHJ000 0 ohm RGC210JR00 0 ohm | Changed:11/'06 | 9 | | | R |
| R219 | DBK-304JA5A D0-25584001 | MCR03EZHJ304 300K ohm MCR03EZPJ304 300K ohm | Changed:11/'06 | 1 | | | R |
| R220 | DBK-124JA5A D0-23903001 | MCR03EZHJ124 120K ohm MCR03EZPJ124 120K ohm | Changed:11/'06 | 1 | | | R |
| R221, 244 | DBK-472JA5A D0-23928001 DBK-472JA5S | MCR03EZHJ472 4.7K ohm MCR03EZPJ472 4.7K ohm RGC168TRJ472 4.7K ohm | Changed:11/'06 | 2 | | | R |
| R242 | DBK-682JA5A D0-25602001 | MCR03EZHJ682 6.8K ohm MCR03EZPJ682 6.8K ohm | Changed:11/'06 | 1 | | | R |
| R256~260 | DBK-104JA5A D0-23897001 DBK-104JA4S D0-02689001 | MCR03EZHJ104 100K ohm MCR03EZPJ104 100K ohm RGC168TR104 100K ohm RGC210TRJ104 100k ohm | Changed:11/'06 Added:11/'06 | 5 | | | R |
| RA1, 5, 15, 22, 25, 29~32 | DBP-0294001 D0-23073001 | RSTR. Array RNA4A8E103JT | Changed:11/'06 | 9 | | | R |
| RA2, 8, 57 | DBP-0294003 D0-23077001 | RSTR. Array RNA4A8E473JT | Changed:11/'06 | 3 | | | R |

*1: Q'ty/Unit *2: Recommended Parts *3: Revised Record *4: RoHS

| | |
|----------|-------------------------------|
| 1 | CPU PC BOARD ASS'Y 3/4 |
|----------|-------------------------------|

| Ref.No. | Part No. | Description | Remarks | *1 | *2 | *3 | *4 |
|--|---|---|--|---------------------|----|----|---------------------|
| RA3,4,9~14, 16~21,23,24, 26~28,33~37, 51~56 | DBP-0015049 DBP-0015053 D0-20268001 | Chip RSTR. Array MNR14P2AJ680 68 ohm x 4/D Chip RSTR. Array MNR14E0AJ680 68 ohm x 4/D Chip RSTR. Array MNR14E0ABJ680 68 ohm x 4/D | Changed:11/'06 | 30 | | | R |
| RA6,7 | DBP-0015001 D0-20263001 | Chip RSTR. Array MNR14E0AJ101 100 ohm x 4/D MNR14E0ABJ101 100 ohm x 4/D | Changed:11/'06 | 2 | | | R |
| C3~6 | DAA-100HM14 D0-18359001 | UWT1E100MCR1GB 10μ 25V UWT1E100MCL1GB 10μ 25V | Changed:11/'06 | 4 | | | R |
| C8,11~15,18, 20~25,51~67, 69~75,81~84, 86,89,90,93~ 95 | DAB-103MK15 | GRM39B103K50PT 0.01μ 50V | | 47 | | | |
| C68,76 C77~80 C85 | DAB-220MJ16 DAB-471MK23 DAB-561MK09 | GRM39CH220J50PT 22P 50V GRM39B471K50PT 470P 50V GRM39B561K50PT 560P 50V | | 2 4 1 | | | |
| C91,92,96 C100 | DAB-104FK03 DAB-470MJ15 | GRM39B104K16 0.1μ 16V GRM39CH470J50PT 47P 50V | | 3 1 | | | |
| C2 | DAA-470CM35 D0-18353001 | UWT1A470MCR1GB 47P UWT1A470MCL1GB 47P | Changed:11/'06 | 1 | | | R |
| C700 | DAA-471BM06 D0-18306001 D0-18350001 | UUX0J471MNR1GS 470P UUX0J471MNL1GS 470P UWT1A101MCL1GB 470P | Changed:11/'06 Added:11/'06 | 1 | | | R R |
| C1 | DAC-224MJ08 D0-21554000 | ECQV1H224JL 0.22μ | Changed:11/'06 | 1 | | | R |
| CN1 | EAA-0361018 E0-08165000 E0-08164000 EAA-0361019 E0-08167000 | 25P 17LE-13250-27(D4AK) (Metric type) 25P 17LE-13250-27(D4AK)-FA (Metric type) 25P 17LE-B250-27(D4AH)-FA 25P 17LE-13250-27(D4CK) (Inch type) 25P 17LE-13250-27(D4CH)-FA (Inch type) | QP Changed:11/'06 Added:11/'06 QQ Changed:11/'06 | 1 1 1 | | | R R R |
| CN2 | EAA-1487001 E0-09233000 | 20P LY20-20P-DLT1-P5 20P LY20-20P-DLT1-P5E | Changed:11/'06 | 1 | | | R |
| CN4 | EAA-1815004 | 6P 53048-0610 | | 1 | | | |
| CN5 | EAA-2504001 | 15P 53048-1510 | | 1 | | | |
| CN7 | EAA-2841002 | 3P 53426-0310 | | 1 | | | |

*1: Q'ty/Unit *2: Recommended Parts *3: Revised Record *4: RoHS

1

CPU PC BOARD ASS'Y 4/4

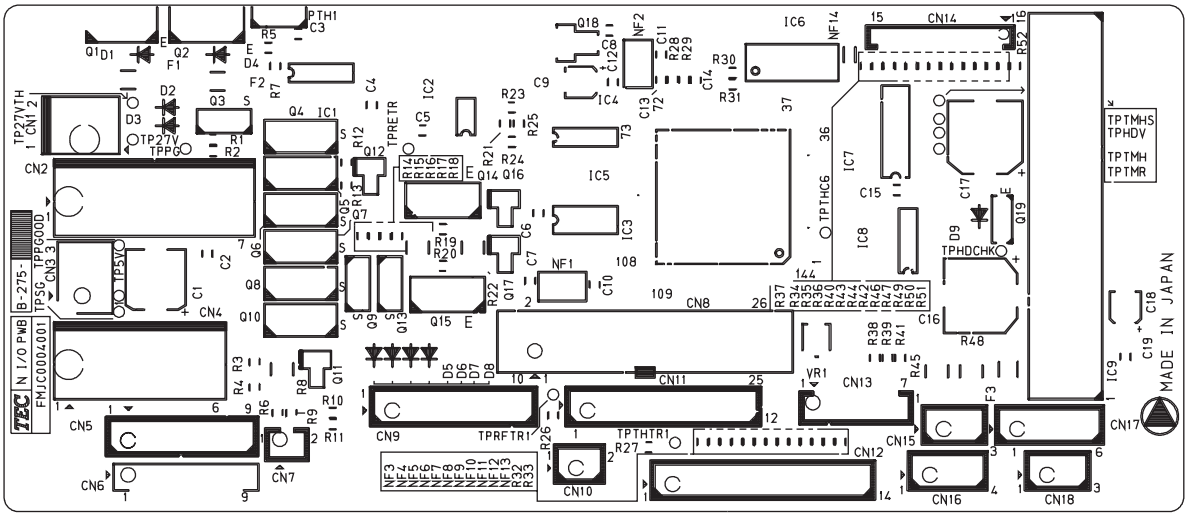
| Ref.No. | Part No. | Description | Remarks | *1 | *2 | *3 | *4 |
|----------------|--|---|-------------------------------|------------------|----|----|----|
| CN9 | EAA-2857001 E0-01651000 E0-08115000 | 120P FX8C-120P SV6 120P FX8C-120P SV5 120P FX8C-120P SV5(71) | Changed:1/'07 Added:1/'07 | 1 | | | R |
| F1 | EHA-0213006 E0-09347001 | Fuse 451002 Fuse 0451002.MRL | Changed:11/'06 | 1 | D | | R |
| NF1,51,52 | DDA-0208001 DDA-0277001 D0-05466001 | Ferrite Beads NFM41P11C204 Ferrite Beads NFM4516P13C204F Ferrite Beads NFM41PC204F1H3L | Changed:7/2000 Added:1/'07 | 3 | D | | R |
| X2 | DCD-0008008 | X'tal AT-49 7.3728MHZ | | 1 | D | | |
| J1,2 (J2) | EAA-2609001 EAA-2517001 | Jumper Pin PCB 5547-02A Jumper 90059-0013 | | 2 2 | | | |
| SMW-3x8 N-3 | FMEB0118101 FMEC0068301 X0110308131 X5120300130 | 232C Shield Plate CPU Heat Plate Sems Screw M3x8 Nut M3 | | 1 1 3 2 | | | |

*1: Q'ty/Unit *2: Recommended Parts *3: Revised Record *4: RoHS

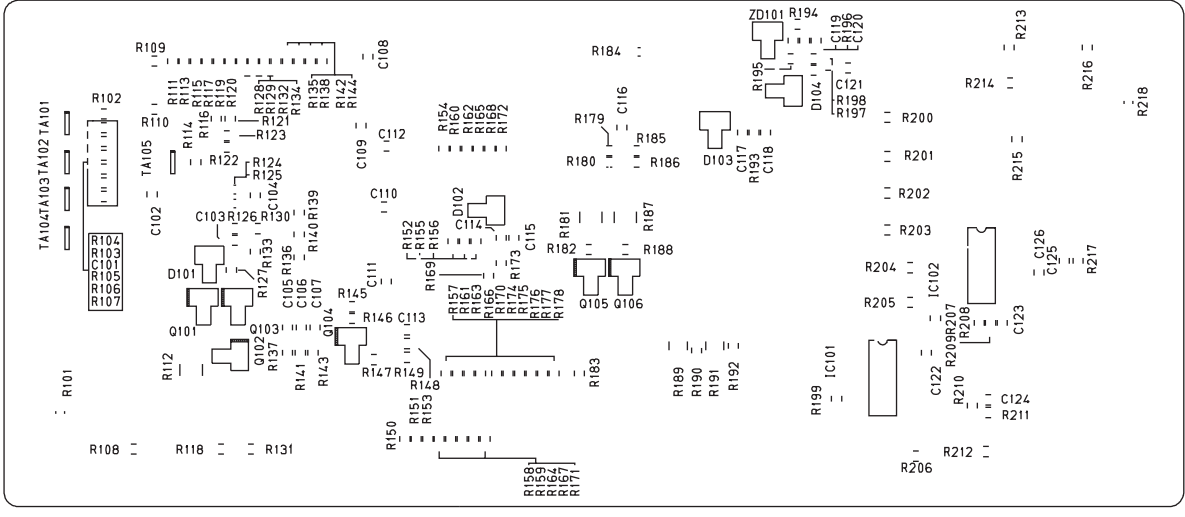
2

I/O PC BOARD ASS'Y

<Component side>



<Solder side>



| | |
|---|-------------------------------|
| 2 | I/O PC BOARD ASS'Y 1/6 |
|---|-------------------------------|

| Ref.No. | Part No. | Description | Remarks | *1 | *2 | *3 | *4 |
|--------------------------|--|--|---|----|----|----|----|
| | FMBC0077401 | I/O PC Board Ass'y (Service No.: B-275-01) | | 1 | E | | |
| IC1,4 | CAG-0522001 C0-09749001 | SOP14P BA10324AF-E2 | Changed3/05 | 2 | E | | R |
| IC2 | CAG-0185001 C0-09754001 | SOP8P BA10393F-T1 SOP8P BA10393F-E2 | Changed3/05 | 1 | E | | R |
| IC3 | CAJ-0445001 C0-12289000 | QFP144P SLA407T, EC-M228 EC-M228 S1L40783F10B200 | Changed8/05 | 1 | E | | |
| IC5 | CAG-0439001 C0-05264001 | SOP14P M62354FP SOP14P M62354FP 70ND | Changed3/05 | 1 | E | | R |
| IC6 | DCD-0093002 D0-00695000 | x'tal EX0-3C, 20MHZ x'tal EX0-3 20.000MHZ | Changed3/05 | 1 | E | | |
| IC7 | CAG-0147003 C0-00928000 | SOP20P TC35095AF | Changed3/05 | 1 | E | | R |
| IC8 | CAG-0438001 C0-07406001 C0-10337000 | SOP14P UPC844G2-T1 SOP14P UPC844G2-T1-A SOP14P UPC844G2-E1-A | Changed3/05 Added: 4/06 | 1 | E | | R |
| IC9 | CAK-0056001 C0-02248000 C0-10337000 | SIP16P STK6712AMK4 STK6712AMK4-E | Changed3/05 Changed8/05 | 1 | E | | R |
| IC101 | CAM-016502A C0-08430001 | CMOS SOP16P TC74HC165AF(TP4) CMOS SOP16P TC74HC165AF (EL F) | Changed3/05 | 1 | E | | R |
| IC102 | CAM-059502A C0-08499001 | CMOS SOP16P TC74HC595AF(TP4) CMOS SOP16P TC74HC595AF (EL F) | Changed3/05 | 1 | E | | R |
| D1~9 | CBE-0085001 C0-09544001 | Diode AM01Z Diode AM01ZV1 | Changed3/05 | 9 | | | R |
| D101,102 | CBE-0049002 C0-08128002 | Diode 1SS226(TE85L) Diode 1SS226(TE85L F) | Changed3/05 | 2 | | | R |
| D103,104 | GBN-0022001 C0-02431001 | Diode HSM107STL | Changed3/05 | 2 | | | |
| ZD101 | GBG-0222001 C0-00435001 | Zener Diode 02CZ4.7-Y(TE85R) | Changed3/05 | 1 | | | |
| Q1,2 | CBA-0326001 C0-10850000 | XISTOR. 2SD1838 | Changed3/05 | 2 | | | R |
| Q3,9,13 | CBQ-0164001 C0-10697000 CBQ-0001014 C0-07345000 | XISTOR. 2SK1059 XISTOR. 2SK1059-AZ XISTOR. 2SK2415 XISTOR. 2SK2415-AZ | Changed3/05 Interchangeable Changed3/05 | 3 | | | R |
| Q4,5 | CBQ-0162001 C0-07337000 | XISTOR. 2SJ495 XISTOR. 2SJ495-AZ | Changed3/05 | 2 | | | R |
| Q11,12,16,17, 101~103 | CBC-0017001 C0-07391001 | XISTOR. FA1A4M-T1B XISTOR. FA1A4M-T1B-A | Changed3/05 | 7 | | | R |
| Q14,15 | CBA-0408001 C0-02274000 | XISTOR. 2SB1390 | Changed3/05 | 2 | | | |
| Q18 | CAG-0698001 C0-06288001 | SOP3P S1F78100Y1T000L | Changed3/05 | 1 | | | |

*1: Q'ty/Unit *2: Recommended Parts *3: Revised Record *4: RoHS

| | |
|----------|-------------------------------|
| 2 | I/O PC BOARD ASS'Y 2/6 |
|----------|-------------------------------|

| Ref.No. | Part No. | Description | Remarks | *1 | *2 | *3 | *4 |
|---|--|--|---|----|----|----|----|
| Q19 | CBA-0091002 CO-02183000 CO-07883000 | XISTOR. 2SD1802 2SD1802S/T-E | Changed3/'05 Changed8/'05 | 1 | | | |
| Q104~106 | CBA-0088001 CO-07352001 | XISTOR. 2SC1621-T1B XISTOR. 2SC1621-T1B-A | Changed3/'05 | 3 | | | |
| TA101~105 | CBC-0061001 CO-00683001 | XISTOR. Array RN4602(TE85R) | Changed3/'05 | 5 | | | R |
| < Chip RSTR. > | | | | | | | |
| R1,14,17,200 201 | DBK-100JA5A DO-19324001 | MCR03EZHJ100 10Ω 1/16W MCR03EZHJ100 10Ω 1/10W | Changed3/'05 | 5 | | | R |
| R2,12,15,16, 19,20,24,28, 38~41,43,44, 46,47,49~52, 108,114,118, 131,135,138, 142,144,149~ 168,170~178, 183,195,199, 206,210,212 | DBK-103JA5A DO-19327001 DBK-103JA5S DO-02577001 | MCR03EZHJ103 10K 1/16W MCR03EZHJ103 10K 1/10W RGC168TR103 10K 1/16W RGC168TR103 10K 1/10W | Changed 3/'05 Interchangeable Changed 3/'05 | 63 | | | R |
| R3 | DBK-333JA5A DO-19391001 | MCR03EZHJ333 33K 1/16W MCR03EZHJ333 33K 1/10W | Changed3/'05 | 1 | | | R |
| R4,42 | DBK-472JA5A DO-19410001 DBK-472JA5S | MCR03EZHJ472 4.7K 1/16W MCR03EZHJ472 4.7K 1/10W RGC168TRJ472 4.7K 1/10W | Changed 3/'05 Interchangeable | 2 | | | R |
| R5,214 | DBK-683JA5A DO-19435001 | MCR03EZHJ683 68K 1/16W MCR03EZHJ683 68K 1/10W | Changed3/'05 | 2 | | | R |
| R6,9~11,35~ 37,111,113, 115,117,119, 120,128,129, 132,134,182, 188,207~209, 217 | DBK-101JA5A DO-19325001 | MCR03EZHJ101 100Ω 1/16W MCR03EZHJ101 100Ω 1/10W | Changed3/'05 | 23 | | | R |
| R7,215 | DBK-153JA5A DO-19349001 DBK-153JA5S | MCR03EZHJ153 15K 1/16W MCR03EZHJ153 15K 1/10W RGC168TRJ153 15K 1/10W | Interchangeable Changed 3/'05 | 2 | | | R |
| R8 | DBK-332JA1A DO-20331001 | MCR50JZHJ332 3.3K 1/2W | Changed3/'05 | 1 | | | R |
| R13,105 | DBK-822JA5A DO-19443001 | MCR03EZHJ822 8.2K 1/16W MCR03EZHJ822 8.2K 1/10W | Changed3/'05 | 2 | | | R |
| R18,22 | DBK-222JA1A DO-20318001 | MCR50JZHJ222 2.2K 1/2W | Changed3/'05 | 2 | | | R |
| R21 | DBK-334JA5A DO-19392001 | MCR03EZHJ334 330K 1/16W MCR03EZHJ334 330K 1/10W | Changed3/'05 | 1 | | | R |
| R23,137,141, 143,146,148, 194,211 | DBK-102JA5A DO-19326001 DBK-102JA5S DO-02576001 | MCR03EZHJ102 1K 1/16W MCR03EZHJ102 1K 1/10W RGC168TRJ102 1K 1/16W RGC168TRJ102 1K 1/10W | Changed 3/'05 Interchangeable Changed 3/'05 | 8 | | | R |

*1: Q'ty/Unit *2: Recommended Parts *3: Revised Record *4: RoHS

| | |
|----------|-------------------------------|
| 2 | I/O PC BOARD ASS'Y 3/6 |
|----------|-------------------------------|

| Ref.No. | Part No. | Description | Remarks | *1 | *2 | *3 | *4 |
|-----------------------------|---|---|------------------------------------|----|----|----|----|
| R25 | DBK-362JA5A D0-19395001 | MCR03EZHJ362 3.6K 1/16W MCR03EZHJ362 3.6K 1/10W | Interchangeable Changed 3/'05 | 1 | | | R |
| R26, 27 | DBK-362JA5S DBK-203JA5A D0-19364001 | RGC168TRJ362 3.6K 1/10W MCR03EZHJ203 20K 1/16W MCR03EZHJ203 20K 1/10W | Changed 3/'05 | 2 | | | R |
| R29 | D0-02512001 DBK-000JA5A D0-19553001 | RGC168TRJ203 20K 1/10W MCR03EZHJ000 0Ω 1/16W MCR03EZHJ000 0Ω 1/10W | Changed 3/'05 | 1 | | | R |
| R31 | DBK-220JA5A D0-19366001 | MCR03EZHJ220 22Ω 1/16W MCR03EZHJ220 22Ω 1/10W | Changed 3/'05 | 1 | | | R |
| R32 | DBK-622JA5A D0-19428001 | MCR03EZHJ622 6.2K 1/16W MCR03EZHJ622 6.2K 1/10W | Changed 3/'05 | 1 | | | R |
| R33 | DBK-331JA5A D0-19389001 | MCR03EZHJ331 330Ω 1/16W MCR03EZHJ331 330Ω 1/10W | Changed 3/'05 | 1 | | | R |
| R45 | DBK-111JA1A D0-20299001 | MCR50JZHJ111 110Ω 1/2W Changed 3/'05 | 1 | | | R | |
| R48 | DBK-221JA1A D0-20317001 | MCR50JZHJ221 220Ω 1/2W Changed 3/'05 | 1 | | | R | |
| R101, 184, 218 | DBK-000JA4A D0-19898001 | MCR10EZHJ000 0Ω 1/16W MCR10EZHJ000 0Ω 1/10W | Changed 3/'05 | 3 | | | R |
| R102, 106 | DBK-682JA5A D0-19434001 | MCR03EZHJ682 6.8K 1/16W MCR03EZHJ682 6.8K 1/10W | Changed 3/'05 | 2 | | | R |
| R103 | DBK-391JA5A D0-19399001 | MCR03EZHJ391 390Ω 1/16W MCR03EZHJ391 390Ω 1/10W | Changed 3/'05 | 1 | | | R |
| R104 | DBK-303JA5A D0-19386001 | MCR03EZHJ303 30K 1/16W MCR03EZHJ303 30K 1/10W | Changed 3/'05 | 1 | | | R |
| R107 | DBK-512JA5A D0-19417001 | MCR03EZHJ512 5.1K 1/16W MCR03EZHJ512 5.1K 1/10W | Changed 3/'05 | 1 | | | R |
| R110 | DBK-821FB5A D0-19655001 | MCR03EZPFX8200 820Ω 1/16W MCR03EZPFX8200 820Ω 1/10W | Changed 3/'05 | 1 | | | R |
| R112 | DBK-272JA1A D0-20324001 | MCR50JZHJ272 2.7K 1/2W Changed 3/'05 | 1 | | | R | |
| R116, 123 | DBK-123FB5A D0-19465001 | MCR03EZPFX1202 12K 1/16W Changed 3/'05 | 2 | | | R | |
| R124 | DBK-101JA4A D0-19900001 | MCR10EZHJ101 100Ω 1/16W MCR10EZHJ101 100Ω 1/10W | Changed 3/'05 | 1 | | | R |
| R125 | DBK-151FA4A D0-19735001 | MCR10EZHF1500 150Ω 1/16W MCR10EZHF1500 150Ω 1/10W | Changed 3/'05 | 1 | | | R |
| R126, 127, 179 | DBK-153FB5A D0-19483001 | MCR03EZPFX1502 15K 1/16W Changed 3/'05 | 3 | | | R | |
| R130, 133, 136, 139, 140 | DBK-103FB5A D0-19453001 | MCR03EZPFX1002 10K 1/16W MCR03EZPFX1002 10K 1/10W | Changed 3/'05 | 5 | | | R |
| R145 | DBK-332JA5A D0-19390001 | MCR03EZHJ332 3.3K 1/16W MCR03EZHJ332 3.3K 1/10W | } Changed 3/'05 Interchangeable | 1 | | | R |
| R147 | DBK-332JA5S DBK-560JA5A D0-19420001 | RGC168TRJ332 3.3K 1/10W MCR03EZHJ560 56Ω 1/16W MCR03EZHJ560 56Ω 1/10W | | 1 | | | R |

*1: Q'ty/Unit *2: Recommended Parts *3: Revised Record *4: RoHS

| | |
|----------|-------------------------------|
| 2 | I/O PC BOARD ASS'Y 4/6 |
|----------|-------------------------------|

| Ref.No. | Part No. | Description | Remarks | *1 | *2 | *3 | *4 |
|--|------------------------|-------------------------------------|--|----|----|----|----|
| R169 | DBK-473JA5A | MCR03EZHZ473 47K 1/16W | } Changed 3/'05 Interchangeable | 1 | | | R |
| | D0-19411001 | MCR03EZHZ473 47K 1/10W | | | | | |
| | DBK-473JA5S | RGC168TRJ473 47K 1/10W | } Interchangeable | | | | |
| R180 | DBK-113FB5A | MCR03EZPF1102 11K 1/16W | | | | | |
| | D0-19459001 | MCR03EZPF1102 11K 1/10W | Changed 3/'05 | 1 | | | R |
| R181,187 | DBK-151JA1A | MCR50JZHJ151 150Ω 1/2W | } Changed 3/'05 | 2 | | | R |
| | D0-20306001 | | | | | | |
| R185 | DBK-223FB5A | MCR03EZPF2202 22K 1/16W | } Changed 3/'05 | 1 | | | R |
| | D0-19517001 | MCR03EZPF2202 22K 1/10W | | | | | |
| R186 | DBK-163FB5A | MCR03EZPF1602 16K 1/16W | } Changed 3/'05 | 1 | | | R |
| | D0-19489001 | MCR03EZPF1602 16K 1/10W | | | | | |
| R189,191 | DBK-221JA2A | MCR25JZHJ221 220Ω 1/4W | } Changed 3/'05 | 2 | | | R |
| | D0-20198001 | | | | | | |
| R190,192 | DBK-912JA5A | MCR03EZHZ912 9.1K 1/16W | } Changed 3/'05 Interchangeable | 2 | | | R |
| | D0-19448001 | MCR03EZHZ912 9.1K 1/10W | | | | | |
| | D0-02514001 | RGC168TRJ912 9.1K 1/10W | | | | | |
| R193,196 | DBK-104JA5A | MCR03EZHZ104 100K 1/16W | } Changed 3/'05 Added 8/'05 | 2 | | | R |
| | D0-19328001 | MCR03EZHZ104 100K 1/10W | | | | | |
| | D0-02689001 | RGC210TRJ104 100K 1/10W | | | | | |
| R197 | DBK-222JA5A | MCR03EZHZ222 2.2K 1/16W | } Changed 3/'05 Interchangeable | 1 | | | R |
| | D0-19368001 | MCR03EZHZ222 2.2K 1/10W | | | | | |
| | DBK-222JA5S | RGC168TRJ222 2.2K 1/10W | | | | | |
| R198 | DBK-564JA5A | MCR03EZHZ564 560K 1/16W | } Changed 3/'05 | 1 | | | R |
| | D0-19424001 | MCR03EZHZ564 560K 1/10W | | | | | |
| R213,216 | DBK-221JA5A | MCR03EZHZ221 220Ω 1/16W | } Changed 3/'05 | 2 | | | R |
| | D0-19367001 | MCR03EZHZ221 220Ω 1/10W | | | | | |
| < Electrolytic CAP. > | | | | | | | |
| C1 | DAA-221CM57 | UWX1A221MCR1GB 220μ 10V | } Changed 3/'05 | 1 | | | R |
| | D0-18388001 | UWX1A221MCL1GB 220μ 10V | | | | | |
| C9,18 | DAA-100FM04 | UWX1C100MCR1GB 10μ 16V | } Changed 3/'05 | 2 | | | R |
| | D0-18391001 | UWX1C100MCL1GB 10μ 16V | | | | | |
| C16 | DAA-101MM27 | UUR1H101MNR1GS 100μ 50V | } Changed 3/'05 | 1 | | | R |
| | D0-18291001 | UUR1H101MNL1GS 100μ 50V | | | | | |
| C17 | DAA-471CM10 | UUX1A471MNR1GS 470μ 10V | } Changed 3/'05 | 1 | | | R |
| | D0-18307001 | UUX1A471MNL1GS 470μ 10V | | | | | |
| < Ceramic CAP. > | | | | | | | |
| C2,5~7,10,11, 13~15,19,101 | DAB-103MK15 | GRM39B103K50PT 0.01μ 50V | C103: Deleted:8/2000 } Changed 3/'05 | 22 | | | R |
| 103,108~112, 115,116,121, 122,126 | D0-04100001 | GRM188B11H103KA01D 0.01μ 50V | | | 21 | | |
| C3,4,8,12,104 ~107,113,114 118,119,123~ 125 | DAB-104HZ15 | GRM39F104Z25PT 0.1μ 50V | } Changed 3/'05 | 15 | | | R |
| | D0-04098001 | GRM188F11E104ZA01D 0.1μ 50V | | | | | |
| C102 | DAB-101MJ21 | GRM39CH101J50PT 100P 50V | } Changed 3/'05 | 1 | | | R |
| | D0-04102001 | GRM1882C1H101JA01D 100P 50V | | | | | |
| C117,120 | DAB-102MK23 | GRM39B102K50PT 1000P 50V | } Changed 3/'05 | 2 | | | R |
| | D0-04101001 | GRM188B11H102KA01D 1000P 50V | | | | | |

*1: Q'ty/Unit *2: Recommended Parts *3: Revised Record *4: RoHS

| | |
|----------|-------------------------------|
| 2 | I/O PC BOARD ASS'Y 5/6 |
|----------|-------------------------------|

| Ref.No. | Part No. | Description | Remarks | *1 | *2 | *3 | *4 |
|----------|--|---|---------------------------------|----|----|----|--------|
| C117,120 | DAB-102MK23 D0-04101001 | GRM39B102K50PT-1000P-50V GRM188B11H102KA01D 1000P 50V | Changed 3/'05 | 2 | | | R |
| CN2 | FAA-0863001 E0-07480000 | 7P-B7P-VH 7P-B7P-VH (LF) | Changed 3/'05 Deleted:11/'06 | 1 | | | |
| CN3 | E0-10679000 FAA-2616006 E0-00806000 | 7P B7P-VH (LF) (SN) 3P 53375-0310 | Added: 4/'06 Changed 3/'05 | 1 | | | R |
| CN4 | FAA-0862001 E0-07479000 | 6P-B6P-VH 6P-B6P-VH (LF) | Changed 3/'05 Deleted 11/'06 | 1 | | | |
| CN5 | E0-10678000 FAA-0520001 E0-00621000 | 6P B6P-VH (LF) (SN) 9P 53014-0910 | Added: 4/'06 Changed 3/'05 | 1 | | | R |
| CN6 | FAA-1738009 E0-00759000 E0-08493000 | 9P 53253-0910 53253-0970 | Changed 3/'05 Changed 8/'05 | 1 | | | R R |
| CN7 | FAA-0142010 E0-01964000 | 2P 1L-S-2P-S2T2-EF | Changed 3/'05 | 1 | | | R |
| CN8 | FAA-0011001 E0-00953000 | 26P 5332-26T2 | Changed 3/'05 | 1 | | | R |
| CN9 | FAA-2386001 E0-01083000 | 10P 53014-1012 | Changed 3/'05 | 1 | | | R |
| CN10 | FAA-0290003 E0-00614000 | 2P 53014-0210 | Changed 3/'05 | 1 | | | R |
| CN11 | FAA-2388001 E0-01084000 | 12P 53014-1213 | Changed 3/'05 | 1 | | | R |
| CN12 | FAA-2387001 E0-01086000 | 14P 53014-1412 | Changed 3/'05 | 1 | | | R |
| CN13 | FAA-2187001 E0-06791000 | 7P-B7B-PH-K-S 7P-B7B-PH-K-S (LF) | Changed 3/'05 Deleted:11/'06 | 1 | | | |
| CN14 | E0-09514000 FAA-2464001 E0-00745000 | 7P B7B-PH-K-S (LF) (SN) 15P 53047-1510 | Added: 4/'06 Changed 3/'05 | 1 | | | R |
| CN15 | FAA-1178001 E0-00615000 | 3P 53014-0310 | Changed 3/'05 | 1 | | | R |
| CN16 | FAA-0046002 E0-00616000 | 4P 53014-0410 | Changed 3/'05 | 1 | | | R |
| CN17 | FAA-0290004 E0-00618000 | 6P 53014-0610 | Changed 3/'05 | 1 | | | R |
| CN18 | FAA-2303001 E0-01071000 | 3P 53014-0311 | Changed 3/'05 | 1 | | | |
| F1~3 | EHA-0213006 E0-03832001 E0-09347001 | Fuse 451002 Fuse 0451-002MR Fuse 0451002.MRL | Changed 3/'05 Changed:11/'06 | 1 | D | | |

*1: Qty/Unit *2: Recommended Parts *3: Revised Record *4: RoHS

2

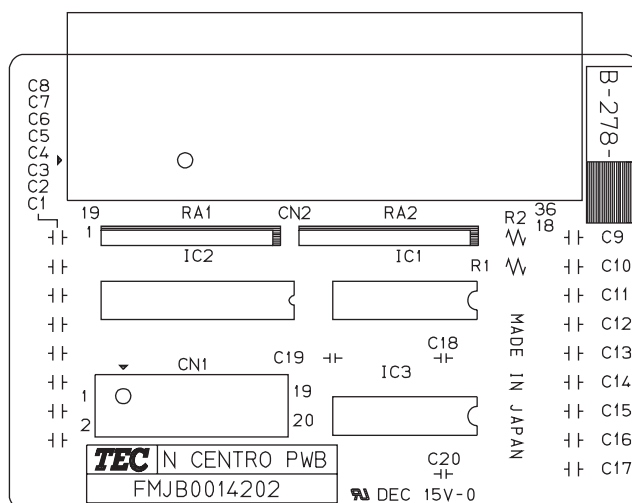
I/O PC BOARD ASS'Y 6/6

| Ref.No. | Part No. | Description | Remarks | *1 | *2 | *3 | *4 |
|---------|------------------------|------------------------------|----------------|----|----|----|----|
| NF1,2 | DDA-0208001 | Noise Filter NFM41P11C204 | | 2 | | | |
| | DDA-0277001 | Noise Filter NFM4516P13C204F | Changed:7/2000 | | | | |
| | D0-05466001 | Noise Filter NFM41PC204F1H3L | Changed 3/'05 | | | | R |
| NF3~13 | DDH-0118001 | Noise Filter BLM11A121SPT | | 7 | | | |
| | D0-04444001 | Noise Filter BLM18AG121SN1D | Changed 3/'05 | | | | R |
| NF14 | DDH-0094001 | Noise Filter BLM41A800SPT | | 1 | | | |
| | D0-04471001 | Noise Filter BLM41AF800SN1L | Changed 3/'05 | | | | R |
| PTH1 | CCB-0032003 | Thermistor | | 1 | | | |
| | D0-22855000 | PTH9M04BE222TS2F333 | Changed 3/'05 | | | | R |
| | | PTFM04BE222Q2N4B0 | | | | | |
| VR1 | DBG-0196001 | Volume RVG4H01-102VM-TC | | 1 | E | | |
| | D0-05517001 | Volume PVM4A10201R00 | Changed 3/'05 | | | | |
| | D0-22875001 | Volume PVM4A102C01R00 | Changed 4/'06 | | | | R |
| | FMEC0060501 | Heat Sink | | 1 | | | |
| | HDB-0030002 | Fixed Plate F9052 | | 2 | | | |
| | F0-00811000 | | Changed 3/'05 | | | | |
| P-3x6 | X0610306133 | Pan Head P TITE screw | | 2 | | | |
| | X0-00591000 | | Changed 3/'05 | | | | |
| DSM-3x6 | X0110306137 | Double Sems Screw M3x6 | | 1 | | | |
| | X0-00073000 | | Changed 3/'05 | | | | |
| N-4 | X5110400130 | Nut M4 | | 1 | | | |
| | X0-00842000 | Nut M3 | Changed 3/'05 | | | | |

*1: Qty/Unit *2: Recommended Parts *3: Revised Record *4: RoHS

E2-7

3 CENTRO PC BOARD ASS'Y



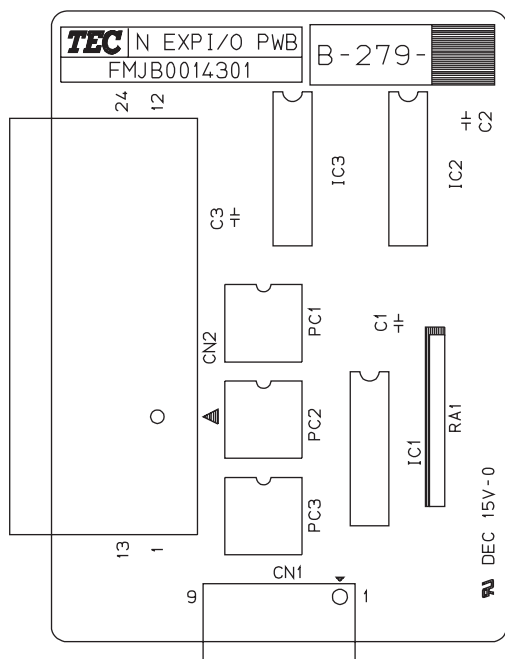
3

CENTRO PC BOARD ASS'Y

| Ref.No. | Part No. | Description | Remarks | *1 | *2 | *3 | *4 |
|---------|--|---|--|----|----|----|----|
| | FMCB0067601 FMBC0067601 | CENTRO PC Board Ass'y (Service No.: B-278-01) | Corrected: 12/'04 | 1 | E | | |
| IC1 | CAF-001402F C0-11543000 | TTL SN74LS14N | Changed:8/'05 | 1 | E | | |
| IC2 | CAF-024502F C0-11583000 | TTL SN74LS245N | Changed:8/'05 | 1 | E | | R |
| IC3 | CAF-000601F C0-11289000 | TTL SN7406N | Changed:8/'05 | 1 | E | | R |
| C1 | DAB-101MJ34 D0-04510001 D0-25009001 | Ceramic CAP. DD104-989SL101J50 Ceramic CAP. RPE2C1H101J2M1A01A | Changed:8/'05 Added:8/'05 | 1 | | | |
| C18~20 | DAB-103MZ02 D0-04545001 D0-23699001 | Ceramic CAP. DD106-999F103Z50 Ceramic CAP. RPEF11H103Z2M1A01A | Changed:8/'05 Added:8/'05 | 3 | | | R |
| CN1 | EAA-1879001 E0-00797000 | CONN. 53313-2015 | Changed:8/'05 | 1 | | | |
| CN2 | EAA-2181001 E0-05621000 | CONN. 57RE-40360-730 CONN. 57RE-40360-730B(D29A) | Changed:8/'05 | 1 | | | |
| R1 | DBA-101JA2E D0-20603001 | Carbon film RSTR. RDM14TS 101J 100 Ω | Changed:8/'05 Inter- changeable | 1 | | | R |
| | DBA-101JA2S D0-02428002 | Carbon film RSTR. RD14SPT52J101 100 Ω | Changed:8/'05 | | | | |
| R2 | DBA-102JA2E D0-20606001 | Carbon film RSTR. RDM14TS102J 1K Ω | Changed:8/'05 Inter- changeable | 1 | | | R |
| | DBA-102JA2S D0-02429002 | Carbon film RSTR. RD14SPT52J102 1K Ω | Changed:8/'05 | | | | |
| RA1,2 | DBP-0002003 DBP-0019034 D0-24428000 | RSTR. Array EXB-F9E102J 1K Ω RSTR. Array RGLD8x102J 1K Ω | Interchangeable Added:2/2000 Changed:8/'05 | 2 | | | R |
| | FMEB0121201 | CENTRO Shield Plate | | 1 | | | |

*1: Q'ty/Unit *2: Recommended Parts *3: Revised Record *4: New Parts

4 EXP I/O BOARD ASS'Y



4

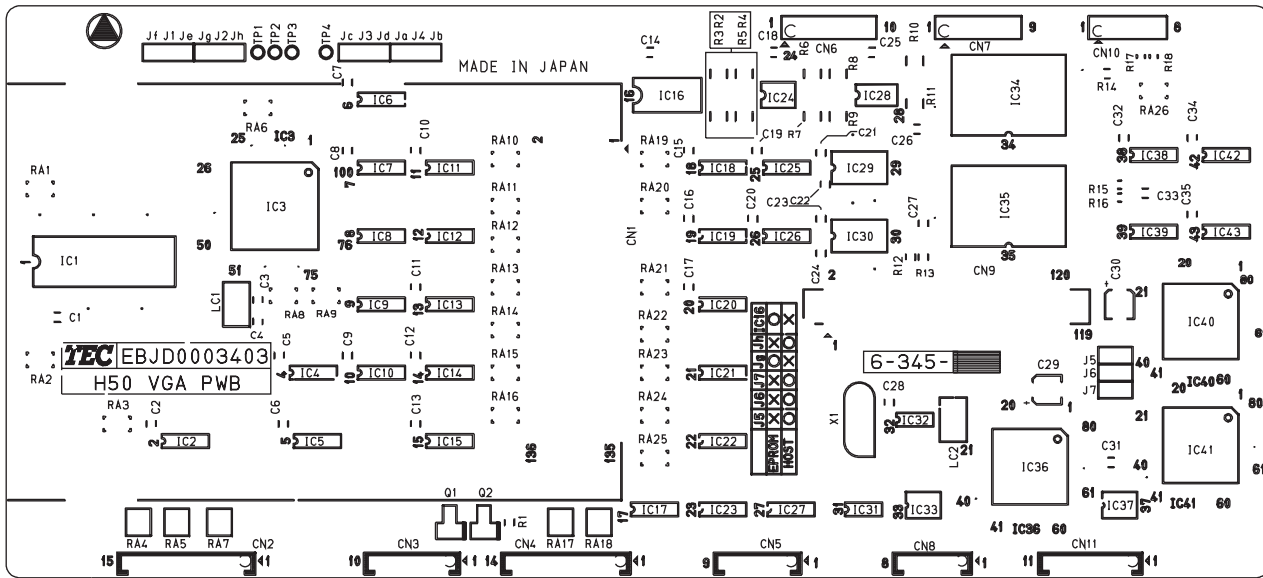
EXP I/O BOARD ASS'Y

| Ref.No. | Part No. | Description | Remarks | *1 | *2 | *3 | *4 |
|---------|--|--|------------------------------|--------|----|----|--------|
| | ----- | EXP I/O PC Board Ass'y (Service No.: B-279-01) | | 1 | E | | |
| IC1 | CAM-016501A C0-08431000 | CMOS TC74HC165AP CMOS TC74HC165AP(F) | Changed:8/'05 | 1 | E | | R |
| IC2 | CAM-059501A C0-08500000 | CMOS TC74HC595AP CMOS TC74HC595AP(F) | Changed:8/'05 | 1 | E | | R |
| IC3 | CBB-0002003 C0-01435000 C0-11202000 | XISTOR. Array TD62004P XISTOR. Array TD62004APG(S) | Changed:8/'05 Added:8/'05 | 1 | E | | |
| C1~3 | DAB-103MZ22 D0-04545001 D0-23699001 | Ceramic CAP. DD106-999F103Z50 RPEF11H103Z2M1A01A | Changed:8/'05 Added:8/'05 | 3 | | | R |
| CN1 | EAA-1621003 E0-08709000 | CONN. 53254-0910 CONN. 53254-0970 | Changed:8/'05 | 1 | | | |
| CN2 | EAA-2304001 E0-08179000 | CONN. 24P 57RE-40240-730B(D29A) CONN. 57RE-40240-730B(D29A)-FA | Changed:8/'05 | 1 | | | |
| PC1~3 | DEC-0006002 C0-08807000 | Photo Coupler TLP521-2 Photo Coupler TLP521-2(A F) | Changed:8/'05 | 3 | | | |
| RA1 | DBP-0013001 D0-24479000 FMEB0121301 | RSTR. Array EXBF9E471J RSTR. Array RGLD8X471J EXP. I/O Shield Plate | Added:8/'05 | 1 1 | | | R R |

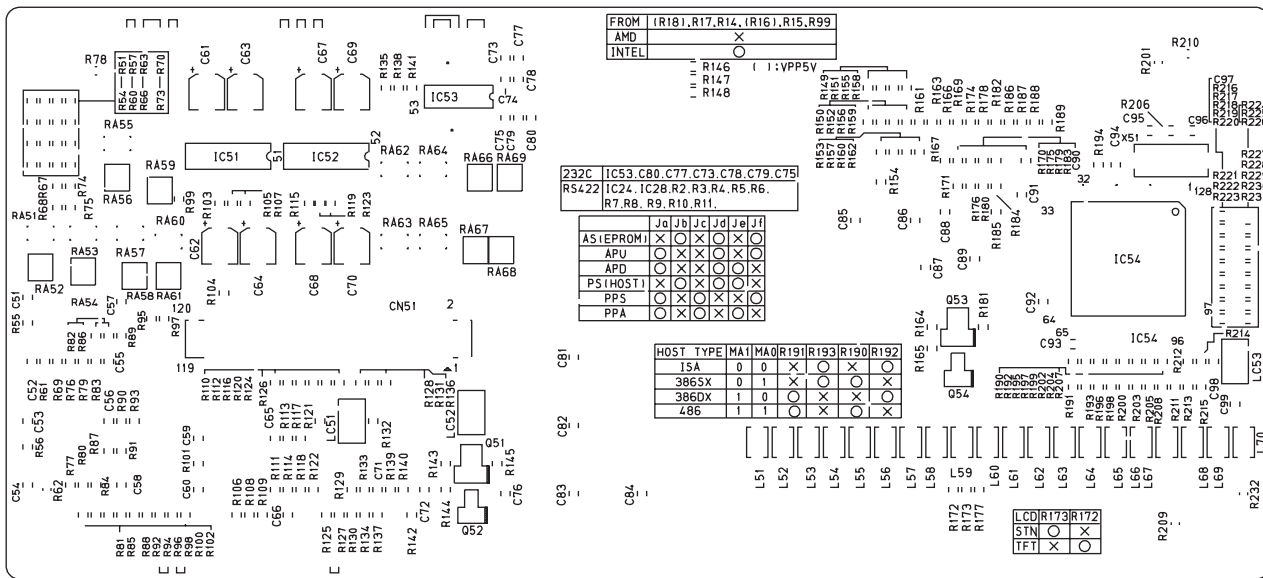
*1: Q'ty/Unit *2: Recommended Parts *3: Revised Record *4: New Parts E4-2

5 H50 VGA PC BOARD ASS'Y

<Component side>



<Solder side>

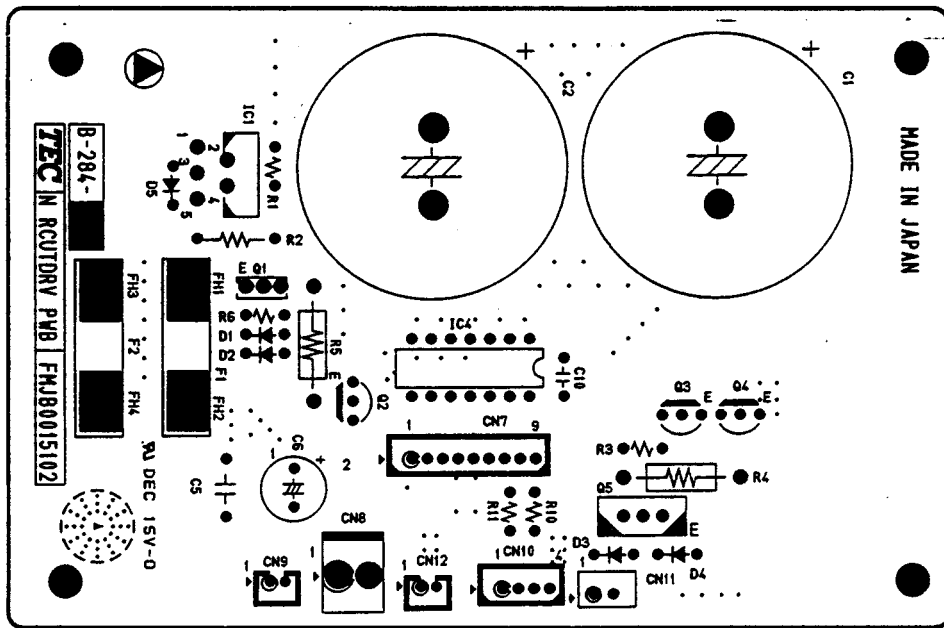


| | |
|----------|-------------------------------|
| 5 | H50 VGA PC BOARD ASS'Y |
|----------|-------------------------------|

| Ref.No. | Part No. | Description | Remarks | *1 | *2 | *3 | *4 |
|------------------------|-------------|---|----------------------|----|----|----|----|
| | ----- | H50 VGA PC Board Ass'y (Service No.: 6-345-02) | | 1 | E | | |
| IC3 | CAB-0416001 | QFP100P EPF8282ATC100-4 | | 1 | E | | |
| IC4,27 | CAF-027326F | CMOS TSSOP20P SN74LV273PW | Inter- changeable | 2 | E | | |
| | CAM-027329A | CMOS TSSOP20P TC74VHC273FT | | 2 | E | | |
| IC6 | CAF-024422F | CMOS TSSOP20P SN74LVC244APW | Inter- changeable | 1 | E | | |
| | CAM-024430A | CMOS TSSOP20P TC74LCX244FT | | 1 | E | | |
| IC7,14,21 | CAF-024425F | TSSOP20P SN74AHCT244PW | Inter- changeable | 3 | E | | |
| | CAM-024431A | TSSOP20P TC74VHCT244AFT | | 3 | E | | |
| IC8,23 | CAF-054127F | CMOS TSSOP20P SN74AHC541PW | | 2 | E | | |
| IC9,10,13,19, 20,22 | CAF-024426F | CMOS TSSOP20P SN74LV244APW | Inter- changeable | 6 | E | | |
| | CAM-024429A | CMOS TSSOP20P TC74VHC244FT | | 6 | E | | |
| IC11,12,17,18 | CAF-024526F | CMOS TSSOP20P SN74LV245APW | Inter- changeable | 4 | E | | |
| | CAM-024529A | CMOS TSSOP20P TC74VHC245FT | | 4 | E | | |
| IC25,26 | CAF-037322F | CMOS TSSOP20P SN74LVC373APW | Inter- changeable | 2 | E | | |
| | CAM-037330A | CMOS TSSOP20P TC74LCX373FT | | 2 | E | | |
| IC29,30 | CAM-424528A | SSOP24P TC74LVX4245FS | | 2 | E | | |
| IC31 | CAF-003226F | CMOS TSSOP14P SN74LV32APW | Inter- changeable | 1 | E | | |
| | CAM-003229A | CMOS TSSOP14P TC74VHC32FT | | 1 | E | | |
| IC32 | CAF-000426F | CMOS TSSOP14P SN74LV04APW | Inter- changeable | 1 | E | | |
| | CAM-000429A | CMOS TSSOP14P TC74VHC04FT | | 1 | E | | |
| IC38,39,42,43 | CAF-024428F | CMOS SSOP20P SN74ABT244APW | Inter- changeable | 4 | E | | |
| | CAM-024426A | CMOS SSOP20P TD74ABT244AFS | | 4 | E | | |
| CN1 | EAA-2865001 | CONN. 136P 1C8C-136RD-0.635SFA | | 1 | | | |
| CN51 (CN1) | EAA-2857002 | CONN. 120P FX8C-120S-SV5 | | 1 | | | |
| | EAA-2864002 | CONN. 1C8SC-136PF-SF-E-JR | | 1 | | | |

*1: Q'ty/Unit *2: Recommended Parts *3: Revised Record *4: New Parts

6 ROTARY CUTTER PC BOARD ASS'Y



| | |
|----------|---|
| 6 | ROTARY CUTTER PC BOARD ASS'Y 1/2 |
|----------|---|

| Ref.No. | Part No. | Description | Remarks | *1 | *2 | *3 | *4 |
|------------------------|---|--|---|----|----|----|--------|
| | ----- | Rotary Cutter PC Board Ass'y (Service No.: B-284-01) | | 1 | E | | |
| IC1 | CAG-0732001 C0-00052000 C0-09609000 | Regulator SI-3240C Regulator SI-3240C | Deleted:8/'05 Added:3/'04 | 1 | E | | R |
| IC4 | CAM-000401A C0-06138000 C0-08388000 | CM0S TC74HC04AP CM0S TC74HC04AP TC74HC04AP(F) | Deleted:8/'05 Added:3/'04 Changed:8/'05 | 1 | E | | R |
| <XISTOR.> | | | | | | | |
| Q1 | CBA-0381001 C0-02157000 C0-07889000 | 2SB1202 2SB1202 2SB1202S/T-E | Deleted:8/'05 Added:3/'04 Added:9/'05 | 1 | | | |
| Q2,3 | CBC-0014001 C0-00649001 C0-08765001 | RN1201 RN1201(TPE4) RN1201(TPE F) | Deleted:8/'05 Added:3/'04 Changed:8/'05 | 2 | | | R |
| Q4 | CBC-0049001 C0-00672000 C0-08871000 | RN2222 RN2222 RN2222(F) | Deleted:8/'05 Added:3/'04 Changed:9/'05 | 1 | | | R |
| Q5 | CBA-0157001 C0-00582000 C0-11138000 | 2SD2075 2SD2075A 2SD2075A(F) | Deleted:8/'05 Added:3/'04 Changed:9/'05 | 1 | | | R |
| C1,2 | DAA-223KM03 D0-06732000 | Electrolytic CAP. CETSW1V223M Dlectrolytic CAP. SMH35VNSN22000M35E | Deletd:8/'05 Added:3/'04 | 2 | | | |
| C5 | DAC-334MK03 D0-03524000 D0-23315000 | Film CAP. CQ92M1H334KB Film CAP. CQ92M1H334KB | Deleted:8/'05 Added:3/'04 Changed:8/'05 | 1 | | | |
| C6 | DAA-101MM05 D0-03679001 D0-16884001 | Electrolytic CAP. CEDSM1H101M Electrolytic CAP. TC04RSMG50VB100MF50 | Deleted:8/'05 Added:3/'04 Changed:8/'05 | 1 | | | R |
| C10 | DAB-103MZ22 D0-04545001 D0-23699001 | Ceramic CAP. DD106-999F103Z50 Ceramic CAP. DD106-999F103Z50 Ceramic CAP. RPEF11H103Z2M1A01A | Deleted:8/'05 Added:3/'04 Added:8/'05 | 1 | | | R |
| <CONN.> | | | | | | | |
| CN7 | EAA-0520001 E0-00621000 | 53014-0910 53014-0910 | Deleted:8/'05 Added:3/'04 | 1 | | | |
| CN8 | EAA-2144001 E0-00312000 E0-07475000 E0-10674000 | B2P-VH B2P-VH B2P-VH(LF) B2P-VH(LF)(SN) | Deleted:8/'05 Added:3/'04 Changed:8/'05 Changed:12/'06 | 1 | | | R R |
| CN9 | EAA-0142010 E0-01964000 | IL-S-2P-S2T2-EF IL-S-2P-S2T2-EF | Deleted:8/'05 Added:3/'04 | 1 | | | R |

*1: Q'ty/Unit *2: Recommended Parts *3: Revised Record *4: New Parts

| | |
|----------|---|
| 6 | ROTARY CUTTER PC BOARD ASS'Y 2/2 |
|----------|---|

| Ref.No. | Part No. | Description | Remarks | *1 | *2 | *3 | *4 |
|----------------------------------|--|---|--|----|----|----|--------|
| CN10 | EAA-0046002 E0-00616000 | 53014-0410 53014-0410 | Deleted:8/'05 Added:3/'04 | 1 | | | R |
| CN11 | EAA-0060003 E0-02738000 | 5483-02AX 5483-02AX | Deleted:8/'05 Added:3/'04 | 1 | | | R |
| CN12 | EAA-0141004 E0-00230000 E0-06578000 E0-09751000 | B2B-PH-K-S B2B-PH-K-S B2B-PH-K-S (LF) B2B-PH-K-S (LF) (SN) | Deleted:8/'05 Added:3/'04 Changed:8/'05 Changed:12/'06 | 1 | | | R R |
| D1~5 | CBE-0085001 CO-00011001 CO-09544001 | Diode AM01Z Diode AM01ZV1 | Added:3/'04 Changed:8/'05 | 5 | | | R |
| <Carbon Film RSTR.> | | | | | | | |
| R1 | DBA-391JA2E DO-02094001 DO-20738001 | RDM14S391J 390 ohm RDM14TS391J 390 ohm | Deleted:8/'05 Added:3/'04 Changed:8/'05 | 1 | | | R |
| R2 | DBA-622JA2E DO-02115001 DO-20757001 | RDM14S622J 6.2K ohm RDM14TS622J 6.2K ohm | Deleted:8/'05 Added:3/'04 Changed:8/'05 | 1 | | | R |
| R3,6,10 | DBA-103JA2E DO-02046001 DO-20607001 | RDM14S103J 10K ohm RDM14TS103J 10K ohm | Deleted:8/'05 Added:3/'04 Changed:8/'05 | 3 | | | R |
| R11 | DBA-221JA2E DO-02072001 DO-20626001 | RDM14S221J 220 ohm RDM14TS221J 220 ohm | Added:3/'04 Changed:8/'05 | 1 | | | R |
| <MOF RSTR.> | | | | | | | |
| R4 | DBC-470JA4G DO-01963000 DO-22626000 | RSM1FB47 ohm J RSM1FB 47 OHM J | Deleted:8/'05 Added:3/'04 Changed:8/'05 | 1 | | | |
| R5 | DBC-102JA4G DO-01951001 DO-22607001 | RSM1FB1K ohm J RSM1FB 1K OHM JTB | Added:3/'04 Changed:8/'05 | 1 | | | |
| FH1~4 | EHD-0005003 E0-05636000 | Fuse Holder PFC5000-1902 Fuse Holder PFC5000-1902 | Deleted:8/'05 Added:3/'04 | 4 | | | R |
| F1 | EHA-0101001 E0-03521000 E0-07173000 | Fuse SD6-1A N1 Fuse SD6-1A N1 Fuse 0239 001M | Deleted:8/'05 Added:3/'04 Added:3/'04 | 1 | | | |
| F2 | EHA-0103001 E0-03524000 E0-07176000 E0-09193000 | Fuse SD6-3A N1 Fuse SD6-3A N1 Fuse 0239 003M Fuse 0239003.MXP | Deleted:8/'05 Added:3/'04 Added:3/'04 Added:12/'06 | 1 | | | R |

*1: Q'ty/Unit *2: Recommended Parts *3: Revised Record *4: New Parts