

***TEC***

TEC Portable Printer

# **B-SP2D SERIES**

## **Parts List**

Document No. **EO8-33014**

Original **Mar., 2003**  
(Revised )

**TOSHIBA TEC CORPORATION**

## TABLE OF CONTENTS

### HOW TO USE THIS PARTS LIST

#### MECHANICAL PARTS

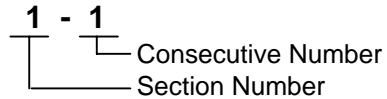
1. COVER BLOCK (TOP SIDE) -----	M1-1
2. COVER BLOCK (BOTTOM SIDE) -----	M2-1
3. MEDIA COVER ASS'Y -----	M3-1
4. TOP COVER ASS'Y -----	M4-1
5. ACCESSORY AND OPTION -----	M5-1
6. MISCELLANEOUS PARTS -----	M6-1

#### **CAUTION!**

- 1. This manual may not be copied in whole or in part without prior written permission of TOSHIBA TEC.*
- 2. The contents of this manual may be changed without notification.*
- 3. Please refer to your local Authorised Service representative with regard to any queries you may have in*

## HOW TO USE THIS PARTS LIST

- 1) Indication of Ref. No.



- 2) Remarks column indicates the following information:

- (1) Interchangeability of parts
- (2) Accessory
- (3) Service part
- (4) Date when the parts are added/deleted/changed

- 3) The columns from A through K indicate the quantity/unit for each model.  
The letters A to K represent the model names which are described in the foot note.

- 4) The recommended parts column indicates the recommendation of parts stock.

	Q'ty/100 Units
Class A -----	10
Class B -----	7
Class C -----	5
Class D -----	3
Class E -----	1

- 5) Miscellaneous parts (screws, washers, etc.) shall be ordered in minimum lots of 100.
- 6) As a rule, parts not listed in this parts list cannot be ordered and we will not be responsible for problems concerning these parts.
- 7) The illustrations are provided by PDF files and attached to the list of each section. To refer to the illustrations, double-click on the PDF file icons.

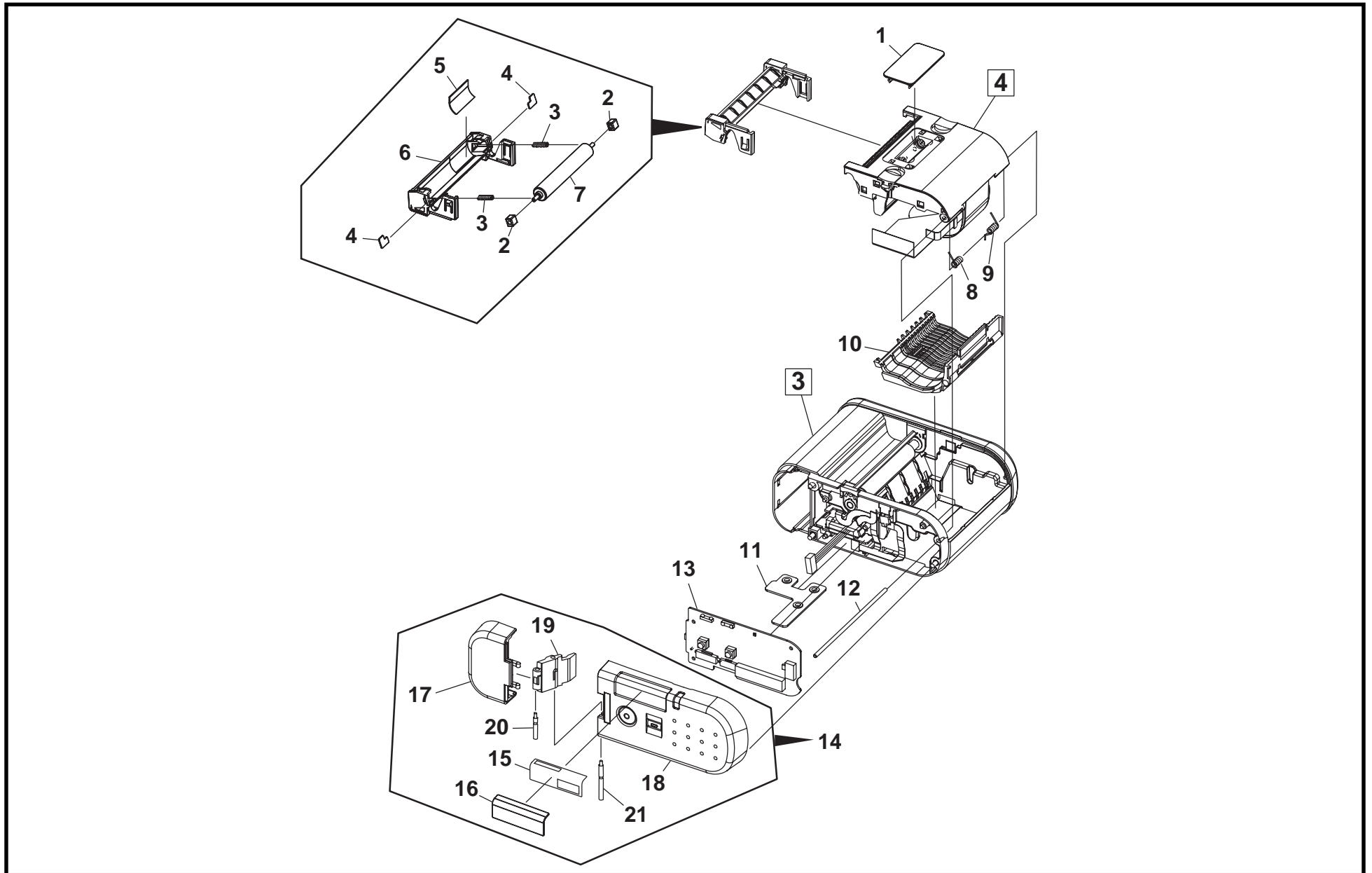
**NOTES:**

- 1. *Parts with no Ref. No. and quantity are interchangeable parts.*
- 2. *The parts shown in this list may be modified by TOSHIBA TEC together with issuing the parts information, if necessary.*
- 3. *The illustrations in this parts list are provided for reference and may be different from the actual parts in shape.*
- 4. *For the underlined assembly parts, the components are available separately.*
- 5. *"-----" in the Part No. cell in place of a part number means that the part is an optional equipment and should be ordered from the Sales Department.*

MECHANICAL PARTS

1 COVER BLOCK (TOP SIDE)

EO8-33014  
B-SP2D SERIES MAR., 2003  
(Revision Date Oct. 5, 2004)

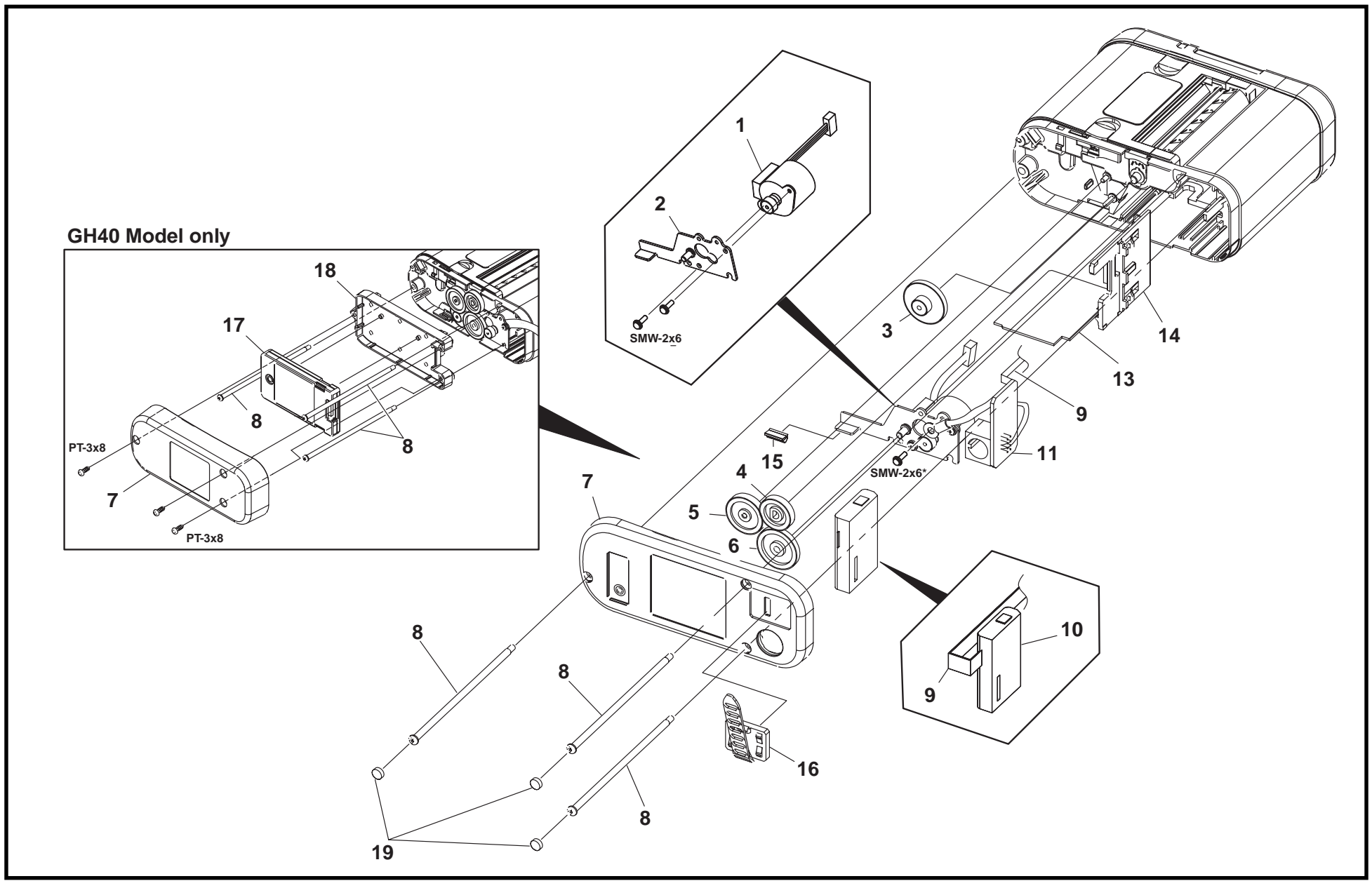


1. COVER BLOCK (TOP SIDE) 1

EO8-33014  
B-SP2D SERIES MAR., 2003  
(Revision Date Feb. 9, 2006)

Ref. No.	Part No.	Description	RoHS	Remarks	A	B	C	D	E	F	G	H	I	J	K	Recommended Parts
1-1	7FM00386000	Blind Plate (TEC)			1	1	1	1	1	1						
	7FM00386200	Blind Plate (TOSHIBA)		Changed: 7/2005												
1-2	FMQB0020501	Strip Roller Holder	R		2	2	2	2	2	2						C
1-3	FMQB0048901	Strip Roller Spring	R		2	2	2	2	2	2						
1-4	7FM00406000	Strip Support Holder	R		2	2	2	2	2	2						
1-5	7FM00415000	Sens Protection Sheet	R		1	1	1	1	1	1						
1-6	<del>7FM00405000</del>	Strip Cover			4	4	4									
	7FM00405100			Changed 2/06	1	1	1	1	1	1						
1-7	7FM00330000	Strip Roller	R		1	1	1	1	1	1						C
1-8	7FM00396000	Cover Spring (R)	R		1	1	1	1	1	1						
1-9	7FM00397000	Cover Spring (L)	R		1	1	1	1	1	1						
1-10	7FM00390000	Media Guide	R		1	1	1	1	1	1						
1-11	7FM00394000	Belt Holder Plate	R		1	1	1	1	1	1						
1-12	7FM00395000	Media Cover Shaft	R		1	1	1	1	1	1						
1-13	<del>7FM00419000</del>	CPU PC Board			1	1	1	0	0	0						E
	7FM00419100			Changed: 6/2003												
	7FM01624000	CPU-R PC Board		Added 2/06	0	0	0	1	1	1						E
1-14	<del>7FM00378000</del>	Top Cover Ass'y		Changed:10/04	1	1	1	0	0	0						C
	<del>7FM00770000</del>			S/No.: 2805Txxxxxx or before												
	7FM00770100	Top Cover Ass'y		Added: 11/05	1	1	1	1	1	1						C
				S/No.: 2805Wxxxxxx or later												
1-15	7FM00483000	IrDA Tape	R		1	1	1	1	1	1						
1-16	7FM00482000	IrDA Sheet	R		1	1	1	1	1	1						
1-17	<del>7FM00399000</del>	Battery Cover Ass'y		Changed:10/04	1	1	1	0	0	0						C
	7FM00707000		R	S/No.: 2805Txxxxxx or before												
	7FM00707100	Battery Cover Ass'y		Added: 11/05	1	1	1	1	1	1						C
				S/No.: 2805Wxxxxxx or later												
1-18	7FM00708000	Top Cover	R	Added:10/04	1	1	1	0	0	0						
				S/No.: 2805Txxxxxx or before												
	7FM00708100	Top Cover		Added: 11/05	1	1	1	1	1	1						
				S/No.: 2805Wxxxxxx or later												
1-19	7FM00549000	Hinge	R	Added:10/04	1	1	1	1	1	1						
1-20	7FM00719000	Hinge Shaft 1	R	Added:10/04	1	1	1	1	1	1						
1-21	7FM00720000	Hinge Shaft 2	R	Added:10/04	1	1	1	1	1	1						

A: B-SP2D-GH20-QM B: B-SP2D-GH30-QM C: B-SP2D-GH40-QM  
D: B-SP2D-GH20-QM-R E: B-SP2D-GH30-QM-R F: B-SP2D-GH40-QM-R

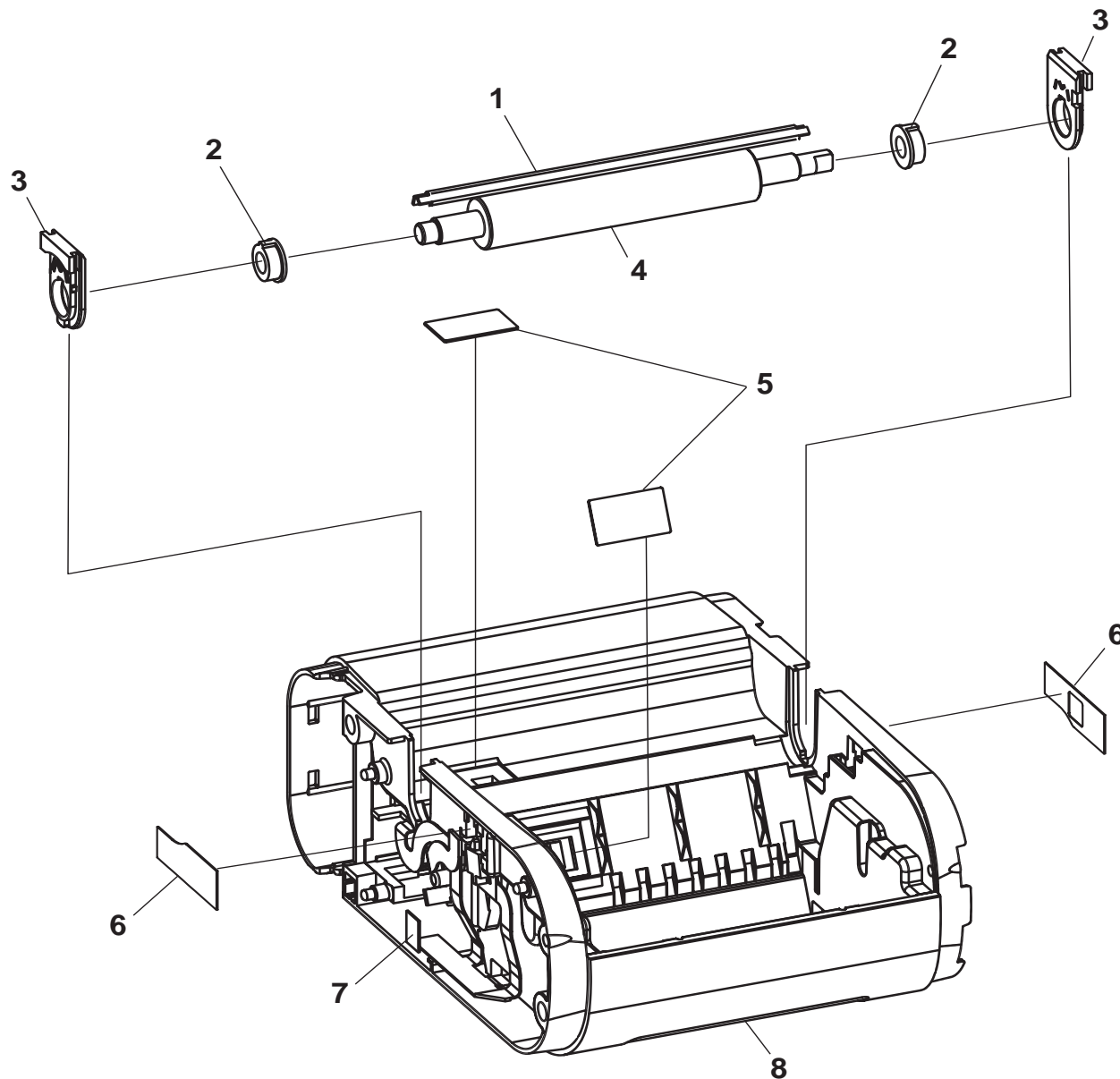


2. COVER BLOCK (BOTTOM SIDE) 1

EO8-33014  
B-SP2D SERIES MAR., 2003  
(Revision Date: Mar. 22, 2006)

Ref. No.	Part No.	Description	RoHS	Remarks	A	B	C	D	E	F	G	Recommended Parts
2-1	7FM00313000	Stepping Motor			1	1	1	0	0	0		E
	7FM01112000	Stepping Motor		Added 2/06	0	0	0	1	1	1		E
2-2	<del>7FM00383000</del>	Motor Bracket			1	1	1	1	1	1		
	7FM00495000		R	Changed: 6/2003								
2-3	7FM00337000	Platen Idler Gear	R		1	1	1	1	1	1		D
2-4	7FM00338000	Platen Gear	R		1	1	1	1	1	1		D
2-5	7FM00335000	Idler Gear	R		1	1	1	1	1	1		D
2-6	7FM00336000	Motor Idler Gear	R		1	1	1	1	1	1		D
2-7	7FM00387000	Bottom Cover		(S/No.: 2805Txxxxxx or before	0	1	0	0	0	0		
	7FM00387200	Bottom Cover		Added: 11/05	0	1	0	0	1	0		
				(S/No.: 2805Wxxxxxx or later)								
	7FM00387100	Bottom Cover		(S/No.: 2805Txxxxxx or before	1	0	0	0	0	0		
	7FM00387400	Bottom Cover		Added: 11/05	1	0	0	1	0	0		
				(S/No.: 2805Wxxxxxx or later)								
	7FM00541000	Bottom Cover		Added: 1/04	0	0	1	0	0	0		
				(S/No.: 2805Txxxxxx or before)								
	7FM00541100	Bottom Cover		Added: 11/05	0	0	1	0	0	1		
				(S/No.: 2805Wxxxxxx or later)								
2-8	7FM00398000	Cover Securing Screw			3	3	3	3	3	3		
2-9	<del>7FM00322000</del>	RS232C/FFC Harness			0	4	4					E
				Corrected: 1/04	4							
	7FM01502000			Changed 2/06	1	1	1	1	1	1		
2-10	<del>FMBB0066902</del>	Bluetooth Module			0	1	0	0	0	0		E
	<del>FMBB0066903</del>			Changed: 11/2003								
	FMBB0066905			Changed:3/04								
	FMBB0066908	Bluetooth Module		Added 2/06	0	0	0	0	1	0		E
2-11	<del>7FM00440000</del>	RS232C PC Board Ass'y			1	0	0	0	0	0		E
	7FM00491000			Changed: 6/2003								
	7FM01800000	RS232C-R PC Board Ass'y		Added 2/06	0	0	0	1	0	0		E
2-12	<del>7FM00322000</del>	<del>RS232C/FFC Harness</del>		Deleted: 1/04	4	0						E
2-13	7FM00420000	Drive PC Board Ass'y			4	4	4					E
	7FM00420100	Drive PC Board Ass'y		Added: 1/04	0	0	1	0	0	0		E
				Changed:3/04	1	1						
	7FM01625000	Drive-R PC Board Ass'y		Added 2/06	0	0	0	1	1	1		E
2-14	7FM00391000	ATC-Battery Terminal Ass'y			1	1	1	1	1	1		E
2-15	7FM00496000	Earth Spring	R	Added: 6/2003	1	0	1	1	0	1		
				GH30-QM-R: Added 3/06					1			
2-16	F0-01229000	Cable Band KCS-10	R	Added: 6/2003	1	0	0	1	0	0		
2-17	<del>7FM00561000</del>	<del>Wireless LAN Module (V7xx)</del>		Added: 1/04	0	0	1	0	0	0		E
	<del>7FM00561100</del>	<del>Wireless LAN Module (V1xx)</del>		Changed:10/04								
	7FM00561300			Changed:8/05								
	7FM00561500	Wireless LAN Module		Added 2/06	0	0	0	0	0	1		E
2-18	7FM00542000	Wireless LAN Gear Cover	R	Added: 1/04	0	0	1	0	0	1		
2-19	7FM02372000	Screw Cap		Added: 3/06	0	0	0	3	3	0		

A: B-SP2D-GH20-QM B: B-SP2D-GH30-QM C: B-SP2D-GH40-QM  
D: B-SP2D-GH20-QM-R E: B-SP2D-GH30-QM-R F: B-SP2D-GH40-QM-R



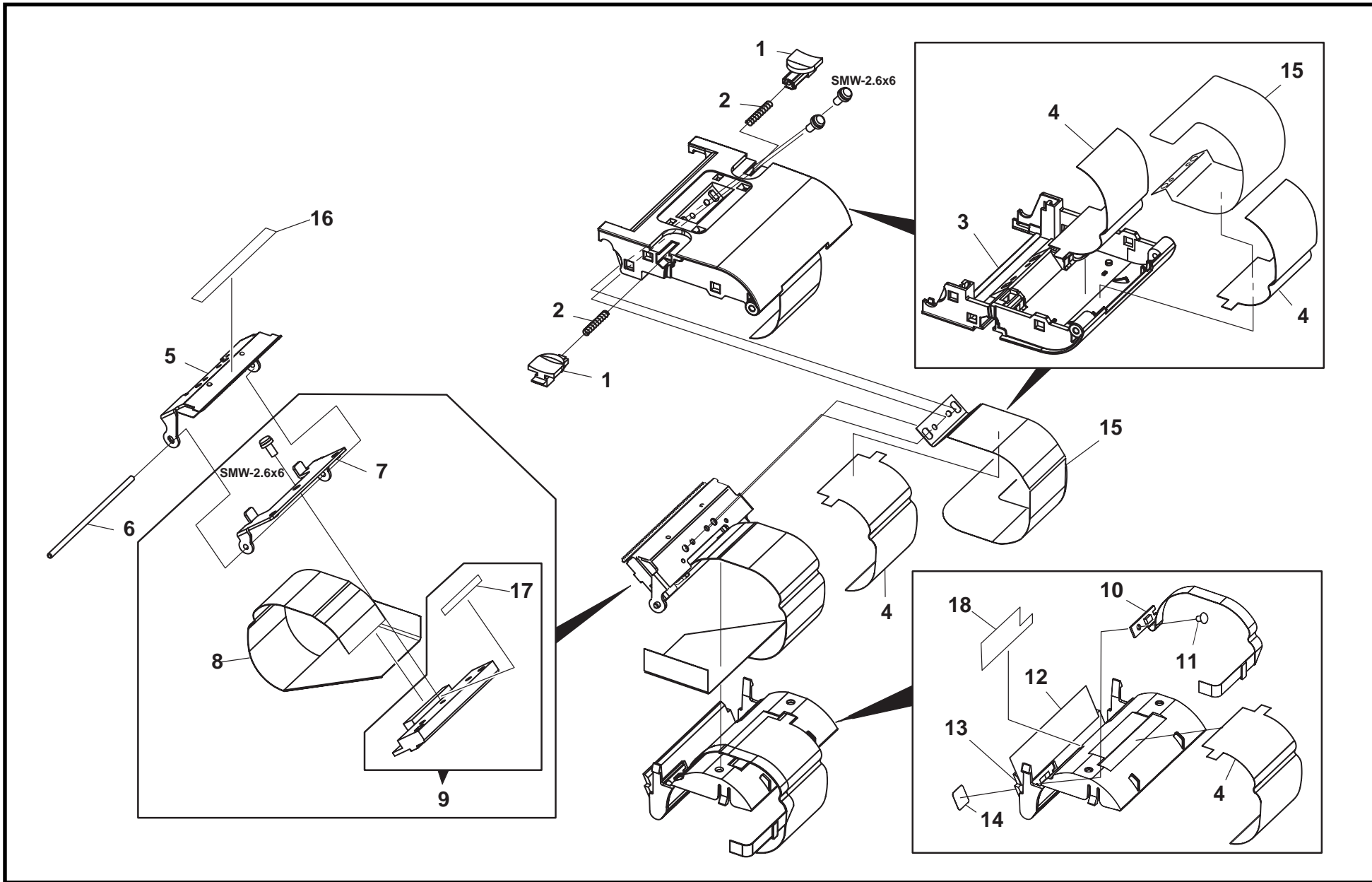


3. MEDIA COVER ASS'Y 1

EO8-33014  
 B-SP2D SERIES MAR., 2003  
 (Revision Date: Feb. 9, 2006)

Ref. No.	Part No.	Description	RoHS	Remarks	A	B	C	D	E	F	G	H	I	J	K	Recommended Parts
3-1	7FM00485000	Strip Shaft	R		1	1	1	1	1	1						
3-2	F0-01197000	Platen Shaft Holder F4-50	R		2	2	2	2	2	2						C
3-3	7FM00360000	Platen Holder	R		2	2	2	2	2	2						
3-4	7FM00329000	Platen	R		1	1	1	1	1	1						C
3-5	7FM00363000	Sensor Filter	R		2	2	2	2	2	2						
3-6	7FM00480000	Dust Sheet		Changed 2/06	2	2	2									
	7FM00480100				1	1	1	1	1	1						
3-7	7FM00418000	Sens2 PC Board			1	1	1	0	0	0						E
	7FM01743000	Sens2-R PC Board		Added 2/06	0	0	0	1	1	1						E
3-8	7FM00358000	Frame			4	4	0									
					0	0										
	7FM00358100	Frame	R	Changed: 9/03 Changed: 4/04	1	0	1	1	1	1						
						1										

A: B-SP2D-GH20-QM B: B-SP2D-GH30-QM C: B-SP2D-GH40-QM  
 D: B-SP2D-GH20-QM-R E: B-SP2D-GH30-QM-R F: B-SP2D-GH40-QM-R

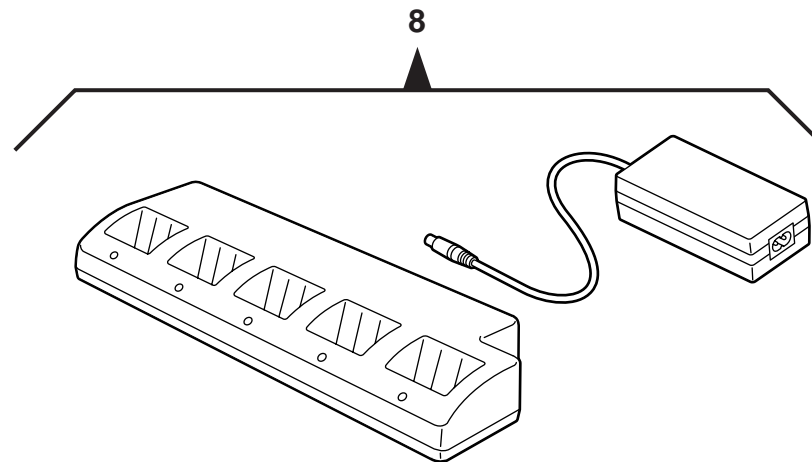
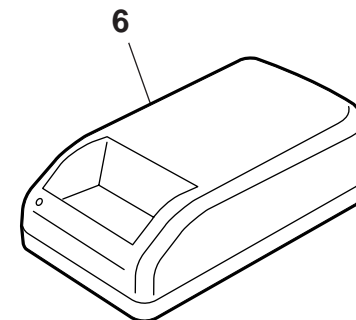
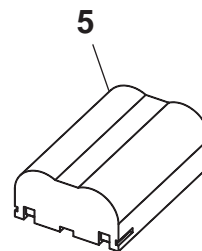
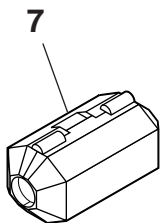
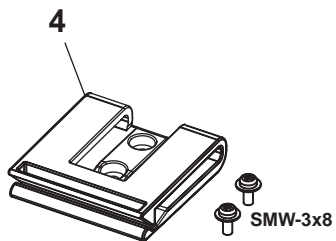
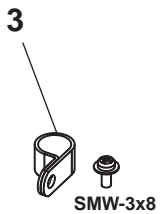
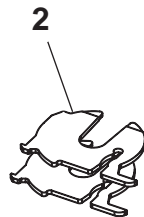


4. TOP COVER ASS'Y 1

EO8-33014  
 B-SP2D SERIES MAR., 2003  
 (Revision Date: May 24, 2006)

Ref. No.	Part No.	Description	RoHS	Remarks	A	B	C	D	E	F	G	Recommended Parts
4-1	<del>7FM00374000</del> <del>7FM00374100</del> 7FM00374200	Media Cover Release Catch	R	Changed:5/'03 Changed: 5/'06	2	2	2	2	2	2		
4-2	7FM00375000	Release Catch Spring	R		2	2	2	2	2	2		
4-3	7FM00365000	Media Cover	R		1	1	1	1	1	1		
4-4	7FM00372000	FPC Protection Sheet	R	Reduced: 9/'03 Added: 3/'06	3	3	3	3	2	2		
4-5	7FM00367200	Cutter Plate	R		1	1	1	1	1	1		
4-6	7FM00373000	Print Head Shaft	R		1	1	1	1	1	1		
4-7	7FM00371000	Print Head Plate	R		1	1	1	1	1	1		
4-8	7FM00321000	Print Head FFC Harness	R		1	1	1	1	1	1		E
4-9	<del>G0-00284000</del> <del>G0-00428000</del> 7FM02363000	<del>Print Head KYT-48-8PAL1-TE</del> <del>Print Head KYT-48-8PAL1-TE</del> Print Head Ass'y		Added: 2/'06 Chnaged:3/'06	4	4	4	0	0	0		A
4-10	7FM00417100 7FM01751000	Sens1 PC Board Ass'y Sens1-R PC Board Ass'y		Added: 2/'06	1	1	1	0	0	0		E
4-11	F0-00169000 F0-00170000	Rivet P2024 Rivet P2032B	R R	Added: 2/'06	1	1	1	0	0	0		
4-12	7FM00481000	Print Head Sheet			1	1	1	1	1	1		
4-13	7FM00377000	Print Head Cover	R		1	1	1	1	1	1		
4-14	FMQB0051501	Sensor Filter B	R		1	1	1	1	1	1		
4-15	7FM00497000 7FM02371000	Earth Sheet Earth Sheet-R	R	Added: 6/2003 Added: 3/'06	1	0	1	4	0	1		
4-16	7FM02373000	Cutter Antistatic Sheet		Added: 3/'06	0	0	0	1	1	0		
4-17	7FM02358000	Head Connector Insulation Sheet		Added: 3/'06	1	1	1	1	1	1		
4-18	7FM02357000	Print Head Cover Antistatic Sheet		Added: 3/'06	1	1	1	1	1	1		

A: B-SP2D-GH20-QM B: B-SP2D-GH30-QM C: B-SP2D-GH40-QM  
 D: B-SP2D-GH20-QM-R E: B-SP2D-GH30-QM-R F: B-SP2D-GH40-QM-R



5. ACCESSORY AND OPTION 1

EO8-33014  
 B-SP2D SERIES MAR., 2003  
 (Revision Date: Feb. 9, 2006)

Ref. No.	Part No.	Description	RoHS	Remarks	A	B	C	D	E	F	G	H	I	J	K	Recommended Parts
5-1	7FM00409000	Outer Winded Guide			1	1	1	1	1	1						
	7FM00409100			Changed: 9/03												
5-2	7FM00408000	Media Guide			2	2	2	2	2	2						
5-3	F0-00251000	Cord Clamp NK-6N			1	0	0	1	0	0						
5-4	7FM00407000	Belt Holder			1	1	1	1	1	1						
	7FM00407100			Changed: 4/04												
5-5	-----	Lithium Ion Battery SP2D		B-SP2D-BT	1	1	1	1	1	1						
		Lithium Ion Battery RB-13-2002		Changed: 2/06												
				B-SP2D-BT-R												
				Added: 2/06												
5-6	-----	Battery Charger		B-SP2D-CHG-QM	1	1	1	0	0	0						
	-----	Battery Charger		B-SP2D-CHG-QM-R	0	0	0	1	1	1						
				Added: 2/06												
5-7	D0-04583000	Ferrite Core SFC-4		Added: 6/2003	1	0	0	1	0	0						
5-8	-----	5-slot Battery Charger		B-SP2D-CHG5-QM	1	1	1	0	0	0						
				Added: 7/2003												
	-----	5-slot Battery Charger		B-SP2D-CHG5-QM-R	0	0	0	1	1	1						
				Added: 2/06												

A: B-SP2D-GH20-QM B: B-SP2D-GH30-QM C: B-SP2D-GH40-QM  
 D: B-SP2D-GH20-QM-R E: B-SP2D-GH30-QM-R F: B-SP2D-GH40-QM-R

