



TEC Thermal Printer

B-670 SERIES

Maintenance Manual

Document No. **EM18-33017**

Original **Jan., 1997**

(Revision)

WARNING!

Follow all manual instructions. Failure to do so could create safety hazards such as fire or electrocution.

- NOTES:**
- 1. Manual instructions must be followed when installing option kits or adding cables to avoid system failures and to insure proper performance and operation.*
 - 2. Failure to follow manual instructions or any unauthorized modification, substitution or change to this product will void the limited product warranty.*

TABLE OF CONTENTS

	Page
1. UNPACKING	1- 1
1.1 PROCEDURES	1- 1
1.2 CHECKS	1- 1
2. MAJOR UNIT REPLACEMENT	2- 1
2.1 REPLACING THE CPU PC BOARD	2- 2
2.2 REPLACING THE PS UNIT	2- 4
2.3 REPLACING THE STEPPING MOTORS AND BELTS	2- 5
2.4 REPLACING THE RIBBON MOTORS	2- 6
2.5 REPLACING THE PRINT HEAD	2- 6
2.6 REPLACING THE PLATEN	2- 7
2.7 REPLACING THE ROLLER BELT AND FEED ROLLER	2- 8
2.8 REPLACING THE MEDIA SENSORS	2-10
2.9 PERIODIC MAINTENANCE PROCEDURE	2-11
3. INSTALLATION PROCEDURE FOR OPTIONAL EQUIPMENT	3- 1
3.1 CUTTER MODULE (B-4208-QM)	3- 1
3.2 MEMORY MODULE	3- 4
3.3 STRIP MODULE (B-4908-H-QM)	3- 5
3.4 STABILIZER KIT	3-6
4. MECHANISM DESCRIPTION	4- 1
4.1 CUTTER DRIVE	4- 1
5. TROUBLESHOOTING	5- 1
6. DIAG. TEST OPERATION	6- 1
7. PROGRAM DOWN LOAD	7- 1
7.1 FLOPPY DISK	7- 1
7.2 SETUP	7- 1
7.3 DOWN LOAD PROCEDURE	7- 2
7.4 ERROR CODE	7- 3

CAUTION:

- 1. This manual may not be copied in whole or in part without prior written permission of TOSHIBA TEC.*
- 2. The contents of this manual may be changed without notification.*
- 3. Please refer to your local Authorized Service representative with regard to any queries you may have in this manual.*

1. UNPACKING

1.1 PROCEDURE

- 1) Open the carton.
- 2) Unpack the accessories from the carton
- 3) Unpack the side pads (L)/(R) and the printer from the carton.
- 4) Place the printer on a level surface.

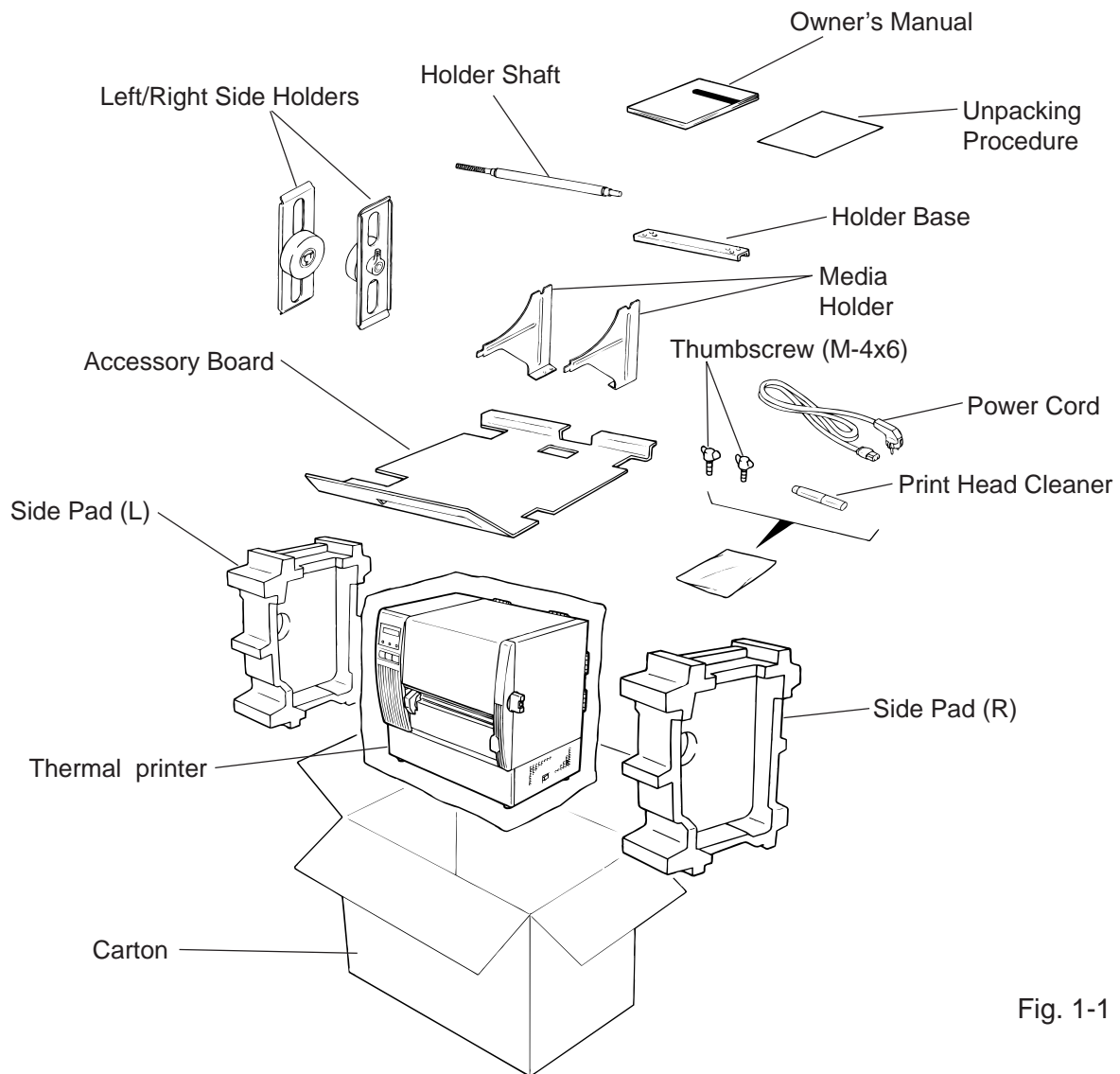


Fig. 1-1

1.2 CHECKS

- 1) Check for damage or scratches on the machine.
- 2) Confirm that none of the accessories are missing.

NOTE: Keep the carton and side pads for later transport.

2. MAJOR UNIT REPLACEMENT

WARNING!

Disconnect power cord before replacing important parts.

CAUTION:

1. NEVER separate the ribbon motors from the attaching plate (bracket), because doing so will change their adjustment. (See Fig. 2-8)
2. NEVER remove the two screws painted red on the side of the print block.
3. NEVER remove screws unless directed to do so in this manual. Removing screws may change pre-set adjustments.

- 1) Turn the power off.
- 2) Open the right side and top covers.
- 3) Remove the six screws (FL-4x6, B-4x6 and B-3x8) to detach the left side cover.
- 4) Remove the (B-4x6) screw to remove the bottom plate.

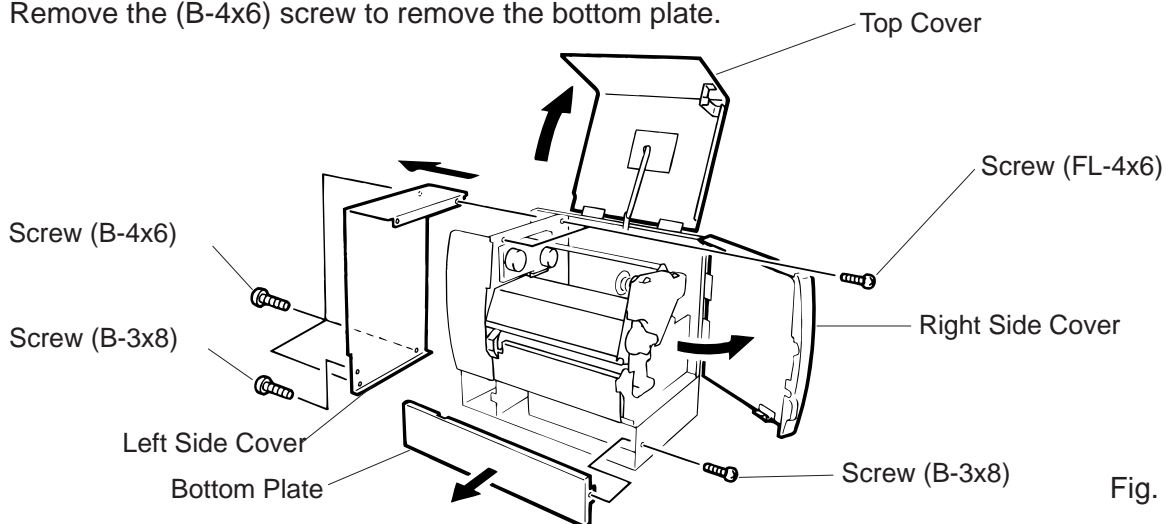


Fig. 2-1

NOTE : Instructions to open the top and right side covers and to remove the left side cover are omitted from each removal/installation procedure provided below.

■ Lubrication

CAUTION:

1. Lubrication: During parts replacement
2. Kinds of oil: FLOIL G-488: 1 Kg can. (Parts No. 19454906001).
3. Do not spray the inside of the printer with lubricants. Unsuitable oil can damage the mechanism.

All machines are generally delivered in their best condition. Efforts should be made to keep them that way. Lack of oil, or the presence of debris or dust, may cause an unexpected failure. To maintain in optimal operating condition, periodically clean the machine and apply the proper kinds of oil to each part in which lubrication is needed.

Although the frequency of lubrication varies according to how often the machine is used, as a minimum it is necessary to lubricate before any part becomes dry. It is also necessary to wipe off excessive oil or it will collect dirt.

2.1 REPLACING THE CPU PC BOARD

CAUTION:

Replace only with the same type and rated fuse for continued protection against risk of fire.

- 1) Detach the 11 connectors from the CPU PC board.
- 2) Remove the 7 screws (SM-3x5B and FL-3x5) to detach the CPU PC board.

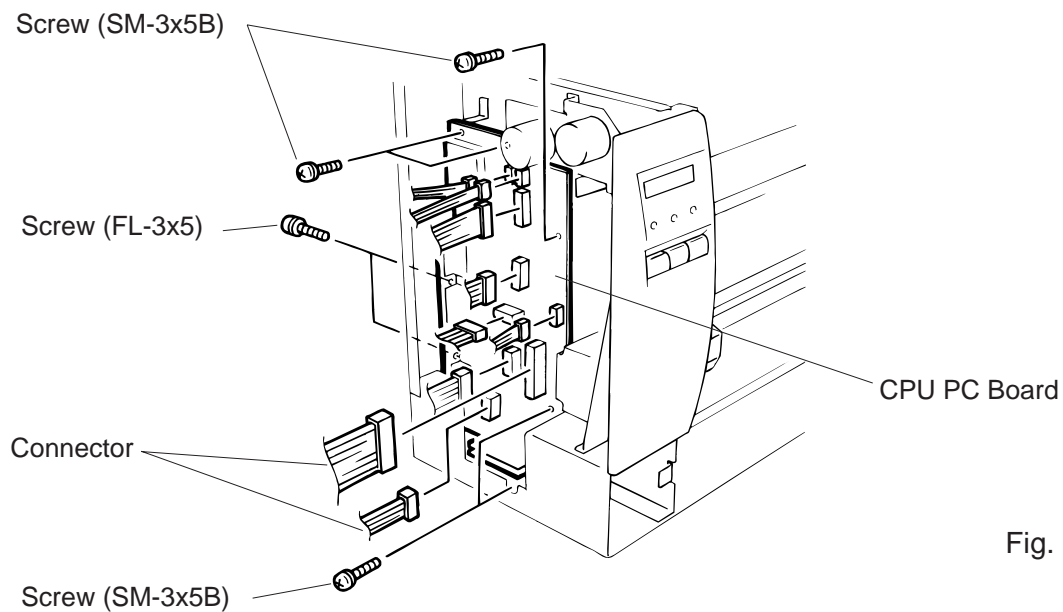


Fig. 2-2

NOTE: *Be sure to support the CPU PC board when detaching the connectors.*

- 3) Replace the CPU PC board and reassemble in the reverse order of removal.

- 4) Adjust the ribbon end sensor.
 After replacing the CPU PC board or changing ribbon type, be sure to adjust the ribbon end sensor in the following procedure with the ribbon being used.

NOTE: Use TOSHIBA TEC-approved ribbons.

- ① Set the ribbon so that the ribbon end sensor can detect the ribbon, Turn the power on.
- ② Turn the VR1 so that the voltage between Pin 1 (GND) and Pin 7 of CN10 is 3.0 ± 0.2 V as measured with an oscilloscope.
- ③ Turn the power off and mount the left side cover and top cover.

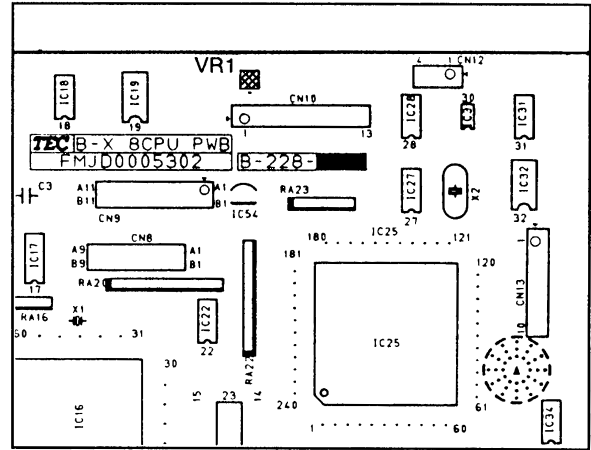


Fig. 2-3

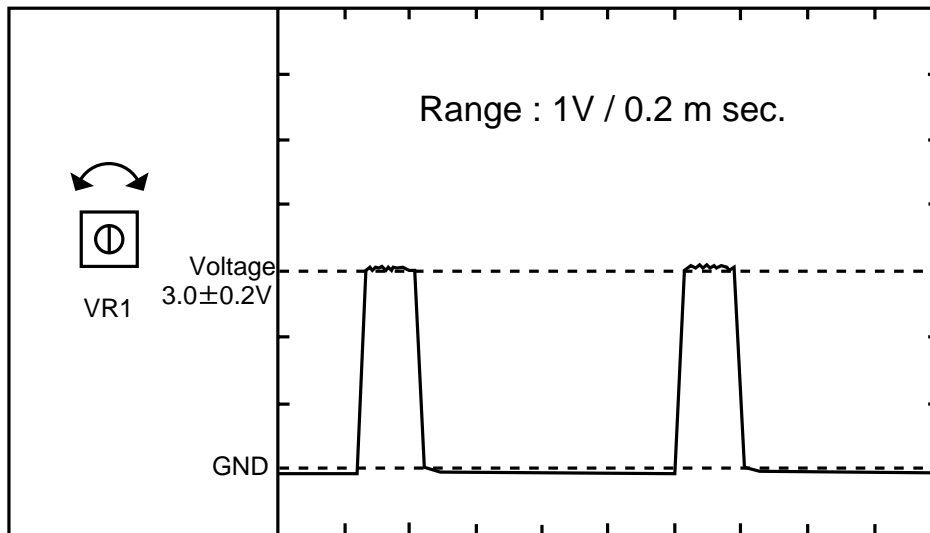


Fig. 2-4

- 5) Adjust the black mark sensor.
 Refer to page 6-40 for the adjustment procedure for the black mark sensor which is adjusted by key entries in system mode.
- 6) Adjust the feed gap sensor.
 Refer to page 6-41 for the adjustment procedure for the feed gap sensor which is adjusted by key entries in system mode.

CAUTION:

Be careful when replacing the CPU PC board, since a non-resettable counter (IC32) is installed on thisboard. (Refer to Section 6.2.1 Maintenance Counter Printing.)If this counter should be reset, replace IC32.

2.2 REPLACING THE PS UNIT

CAUTION:

Replace only with the same type and rated of fuse for continued protection against risk of fire.

- 1) Detach all connectors from the CPU PC board.
- 2) Remove the two screws (FL-4 x 6) to detach the PS unit. Pushing the AC power inlet from behind will ease the removal of the PS unit.
- 3) Disconnect the PS cable from the PS unit.

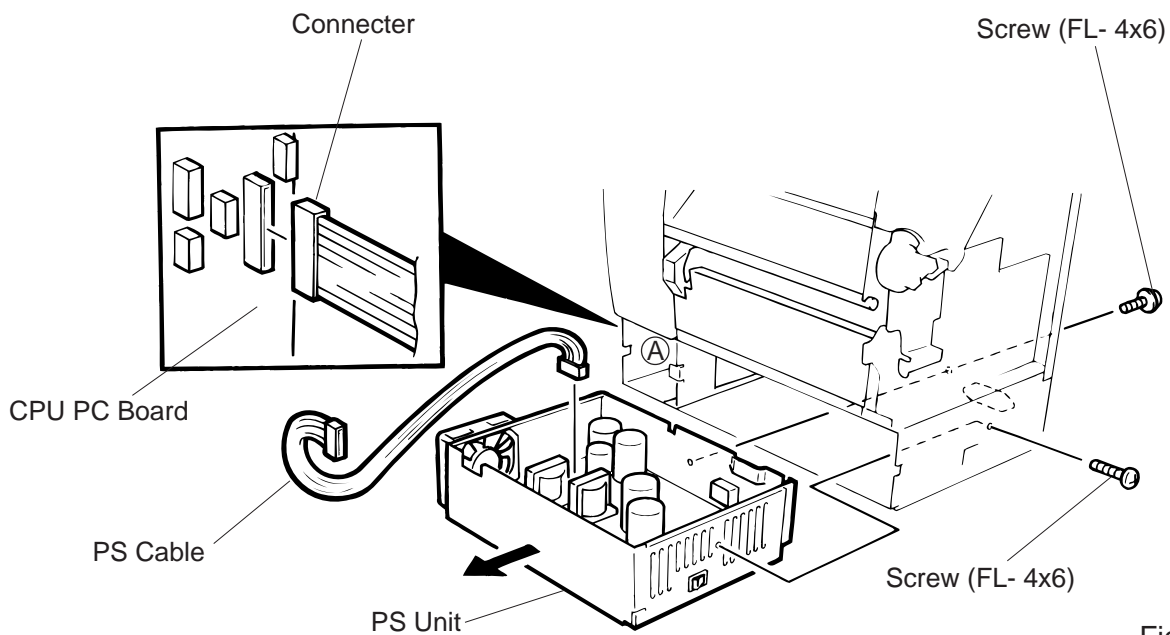


Fig.2-5

- 4) Replace the PS unit and reassemble in the reverse order of removal. Insert the PS cable into the notch (A).

2.3 REPLACING THE STEPPING MOTOR

- 1) Remove the 4 screws (FL-4x6) to detach the front plate.

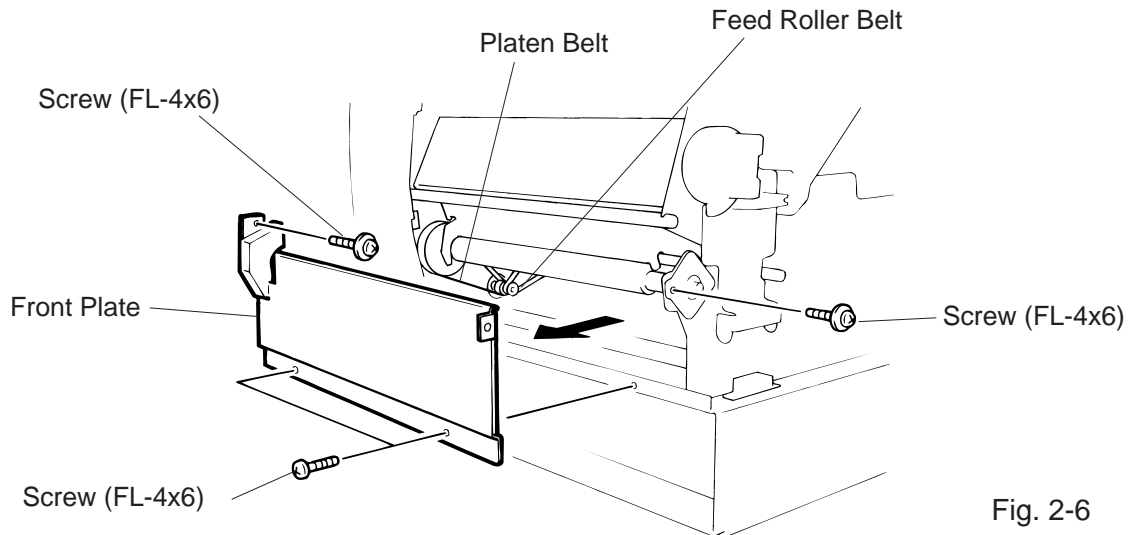


Fig. 2-6

- 2) Disconnect the cable from CN14 on the CPU PC board.
- 3) Remove the two screws (SM-4x10C), take the two belts off the pinion gear, and remove the stepping motor.

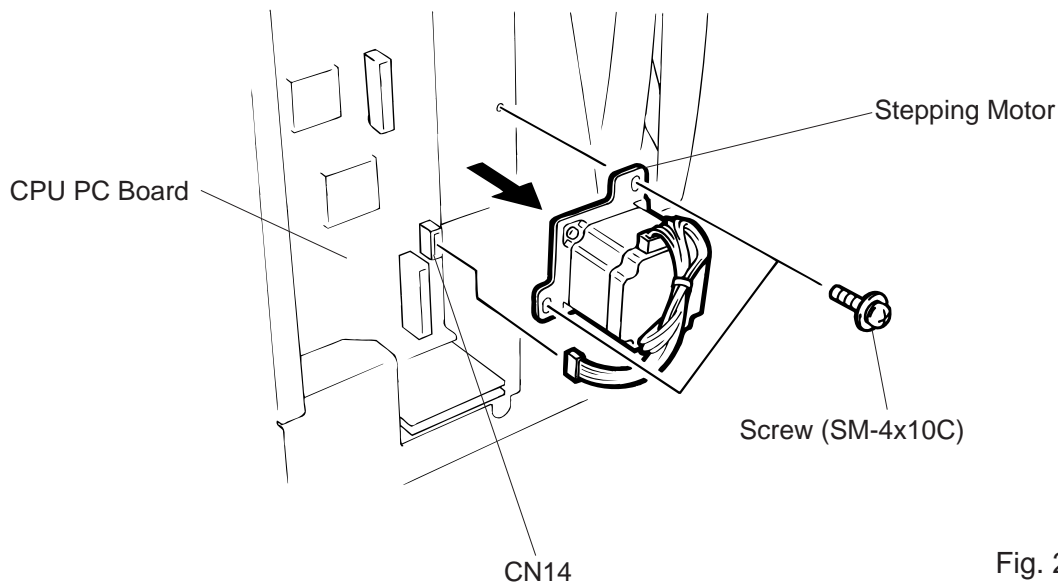


Fig. 2-7

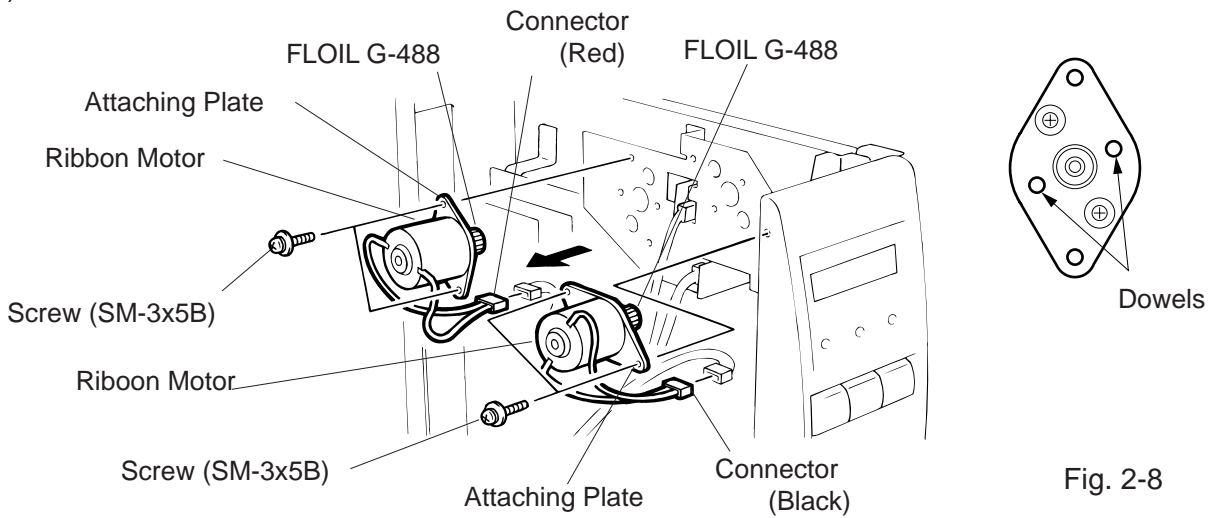
- 4) When replacing the stepping motor, place the platen belt around the pinion gear first, then the feed roller belt, so that the partition is positioned between the two belts. Press down on the stepping motor with $3.5 \text{ Kg} \pm 300 \text{ g}$ force and secure it so the platen belt and feed roller belt have no slack, are engaged, and evenly tense.
- 5) Reassemble in the reverse order of removal.

2.4 REPLACING THE RIBBON MOTORS

CAUTION:

NEVER separate the ribbon motor from the attaching plate because doing so will change their adjustment.

- 1) Remove the CPU PC board. (Refer to section 2.1.)
- 2) Detach the connector and remove the two SM-3x5B screws to detach the ribbon motors.



- 3) Replace the ribbon motors, then align the dowels to attach the ribbon motors. Reassemble in the reverse order of removal.

2.5 REPLACING THE PRINT HEAD

CAUTION:

1. *NEVER touch the element when handling the print head.*
2. *NEVER touch the connector pins to avoid damage to the print head by static electricity.*
3. *NEVER remove the two screws painted red on the side of the print block.*

NOTE: This procedure can be done without removing the left side cover.

- 1) Remove the two (B-4x4) screws to detach the head cover plate.
- 2) Pull right to remove the front shaft.

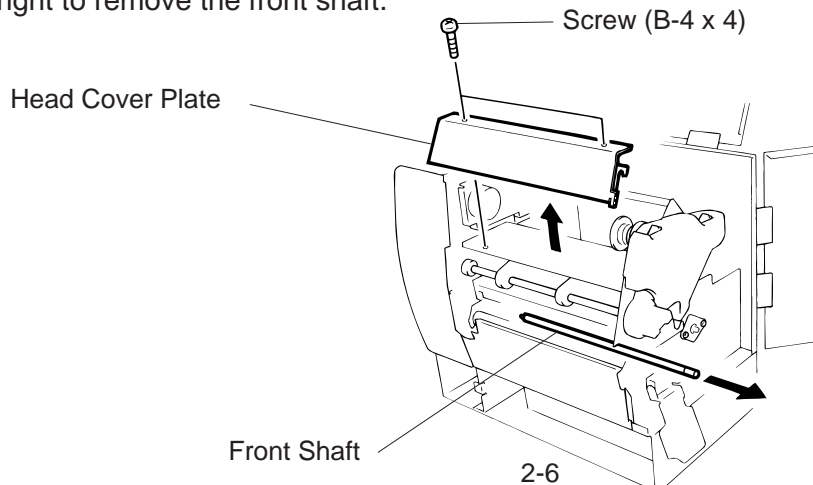


Fig. 2-9

- 3) Turn the head lever counterclockwise to lift the print head.
- 4) Remove the head fixing screw and pull out the print head.
- 5) Disconnect the two cables and remove the print head.

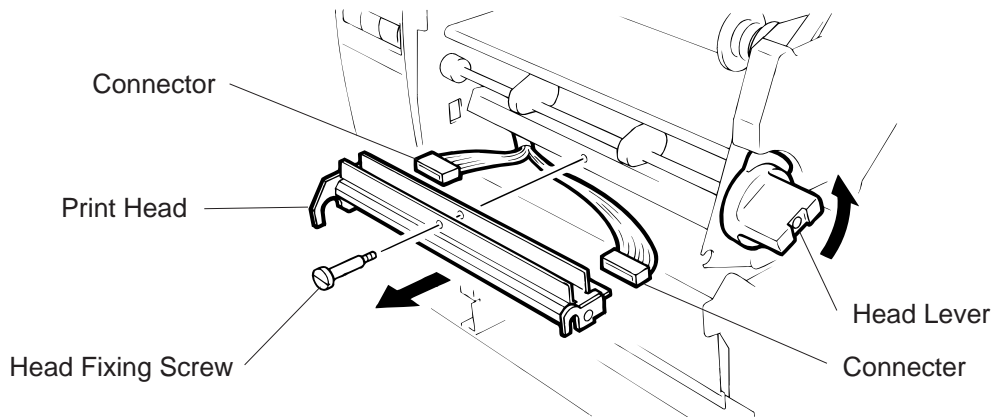


Fig. 2-10

NOTE: Never remove the bracket.

- 6) Replace the print head and reassemble in the reverse order of removal.
- 7) Refer to page 6-44 and clear the maintenance counter.
- 8) Refer to page 6-31 and perform a test print.

2.6 REPLACING THE PLATEN

- 1) Remove the front plate. (Refer to Fig. 2-6.)
- 2) Loosen the two screws (SM-4 x 10C) securing the stepping motor.
- 3) Remove the (FL-4 x 6) screw to detach the platen positioning plate.
- 4) Take the platen belt off the platen pulley, move the platen fully to the right and remove the platen from the left end.

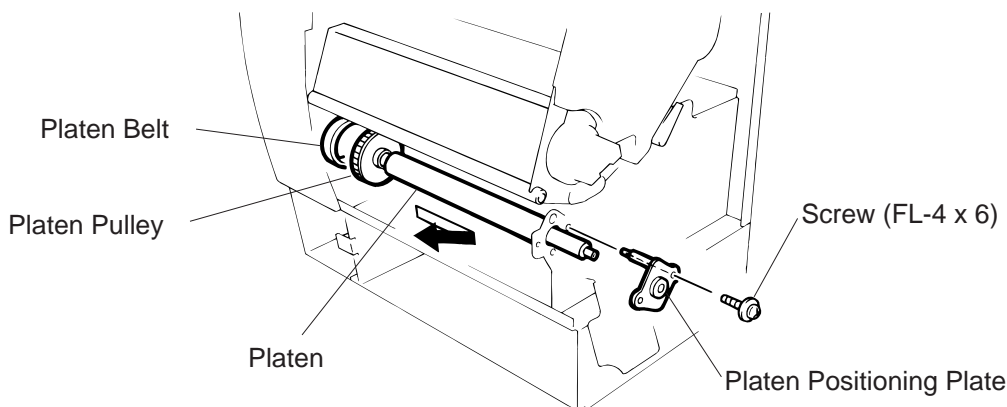


Fig. 2-11

- 5) Replace and install the platen, then place the platen belt around the platen pulley.
- 6) Install the platen positioning plate.
- 7) Press down on the stepping motor with 3.5 Kg \pm 300 g force and secure it so the platen belt and the feed roller belt have no slack, are engaged and evenly tense.
- 8) Reassemble the remaining parts in the reverse order of removal.

2.7 REPLACING THE ROLLER BELT AND FEED ROLLER

- 1) Lower the pinch roller lever.
- 2) Remove the white screw to detach the ribbon end sensor plate.
- 3) Remove the FL-3 x 5 screw, cut the cable band and remove the head-up switch.
- 4) Detach the connector of the ribbon end sensor.
- 5) Removal the pinch roller block.

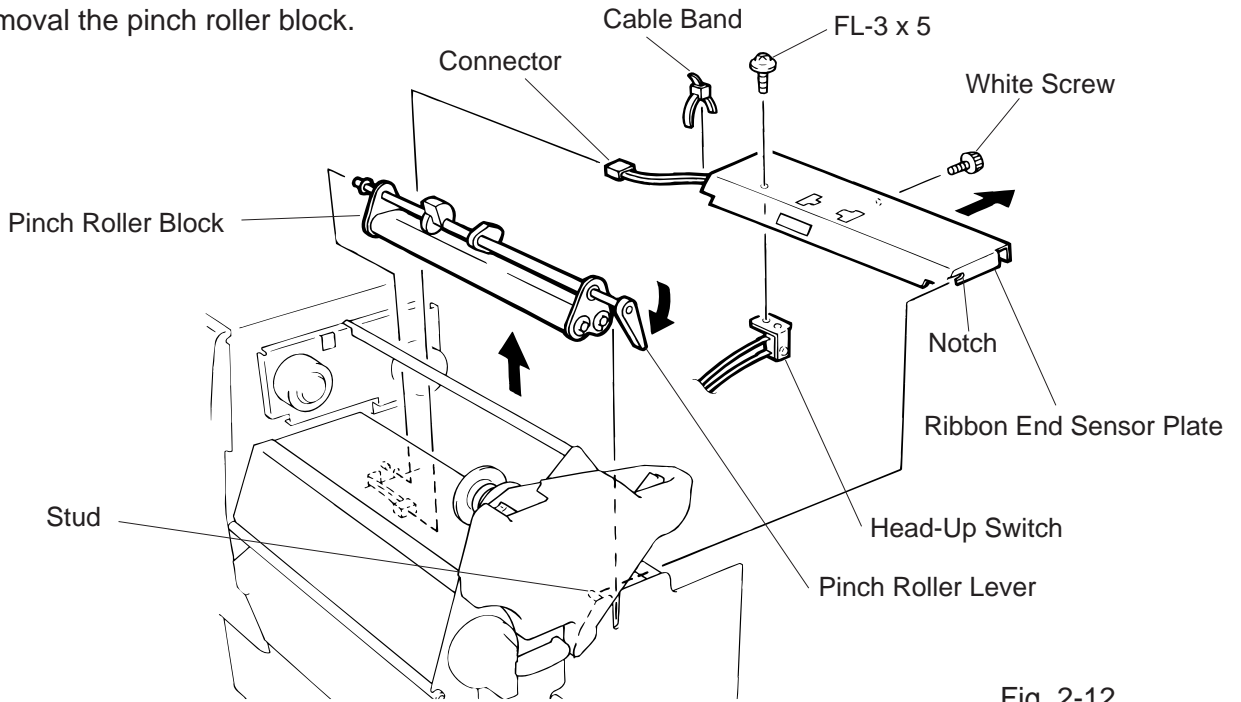


Fig. 2-12

NOTE: Fit both sides of the studs into the notches when installing the ribbon end sensor plate.

- 6) Remove the four E-rings (E-5), pinch roller holder, bush, pinch roller washer, and then roller belt.

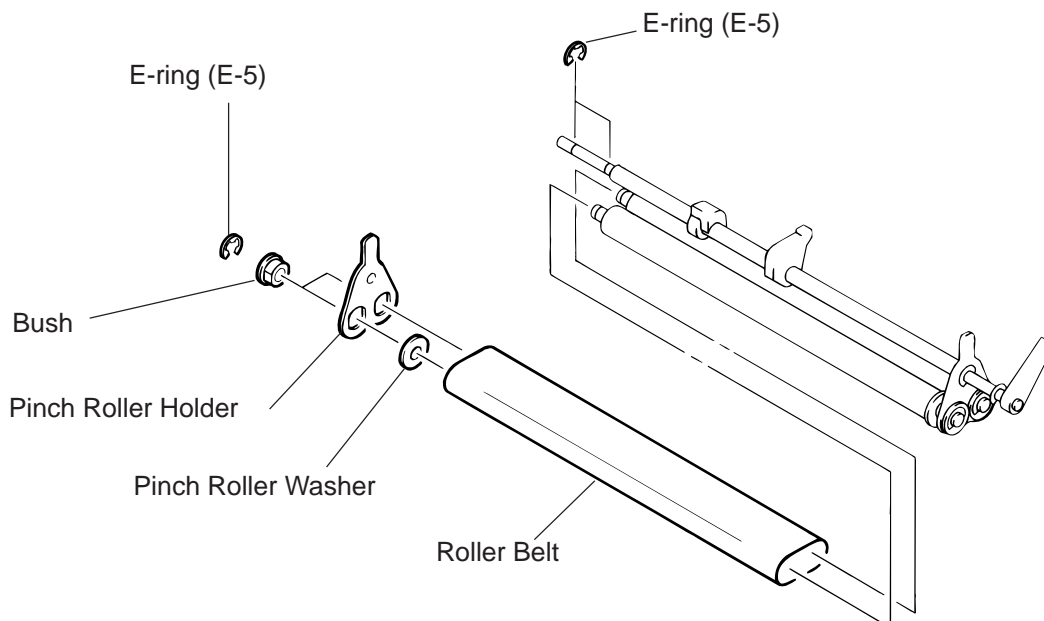


Fig. 2-13

- 7) Remove the two (FL-4x6) screws and detach the media plate.
- 8) Remove the two (FL-4x6) screws and detach the media guide unit.
- 9) Loosen the two (SM-4x10C) screws securing the stepping motor.
- 10) Remove the two screws to detach the feed roller positioning plate.
- 11) Take the feed roller belt off the feed roller, move the feed roller fully to the left and remove the feed roller from the right end.

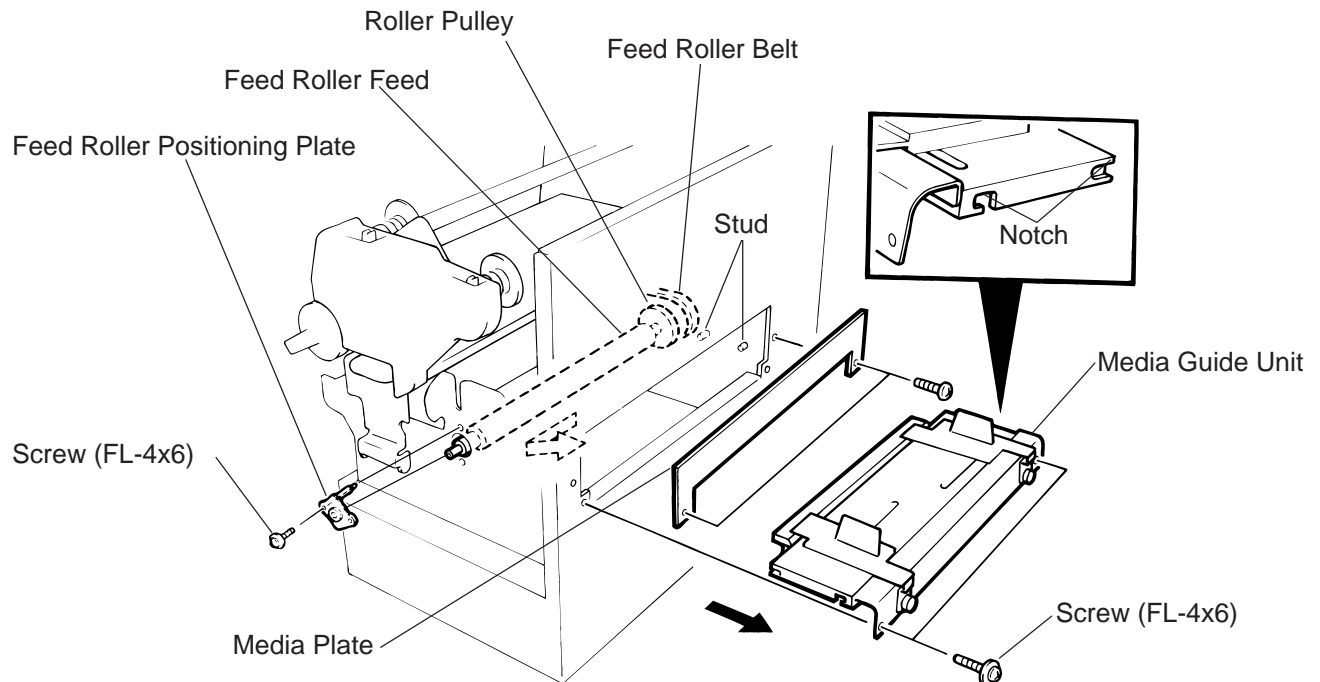


Fig. 2-14

NOTE: Fit both sides of the studs into the notches when installing the media guide unit.

- 12) Replace and install the feed roller, place the feed roller belt around the feed roller pulley.
- 13) Install the feed roller positioning plate.
- 14) Press down on the stepping motor with $3.5 \text{ Kg} \pm 300 \text{ g}$ force and secure it so the platen belt and the feed roller belt have no slack, are engaged and evenly tense.
- 15) Reassemble the remaining parts in the reverse order of removal.

2.8 REPLACING THE MEDIA SENSOR

CAUTION:

1. When using the fixed sensor, line up the feed gap sensors between the upper and lower sensors.
2. When shipped from the factory, the black mark sensor is positioned at the center of the effective print area and the feed gap sensor is located 10 mm left of center as viewed from the front.

- 1) Detach the 4 connectors from the fixed/movable media sensors.
- 2) Remove the two screws (FL-3 x 4) and the sensor holder to detach the media sensor unit.
- 3) Turn the knob of the sensor shaft clockwise and remove the movable media sensor.
- 4) Remove the E-ring (E-3) from the sensor shaft and detach the lower fixed media sensor.

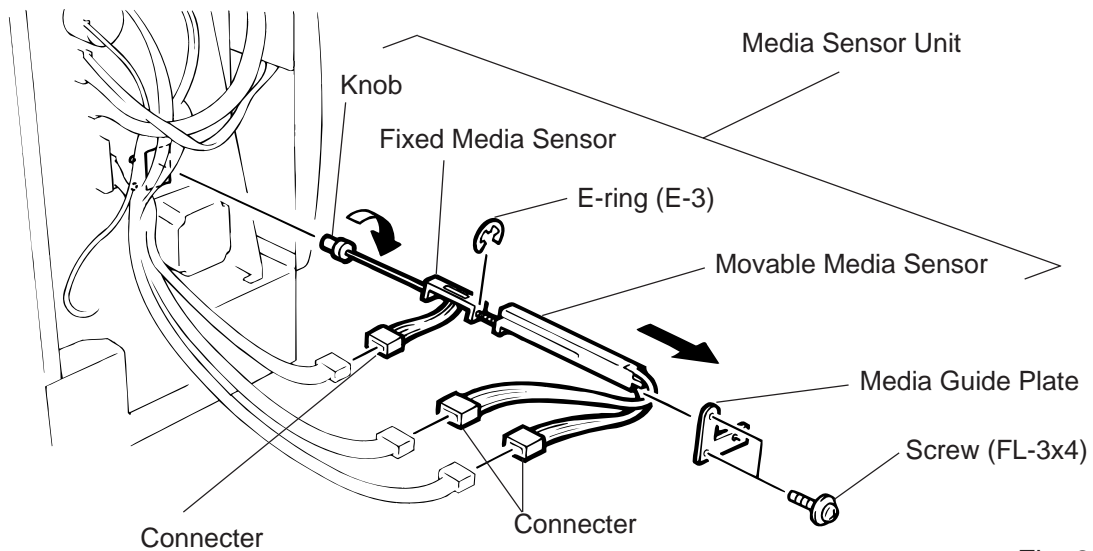


Fig. 2-15

- 5) Remove the white screw to detach the media guide plate.
- 6) Remove the two SM-3 x 6B screws, then unclamp and detach the upper fixed media sensor.

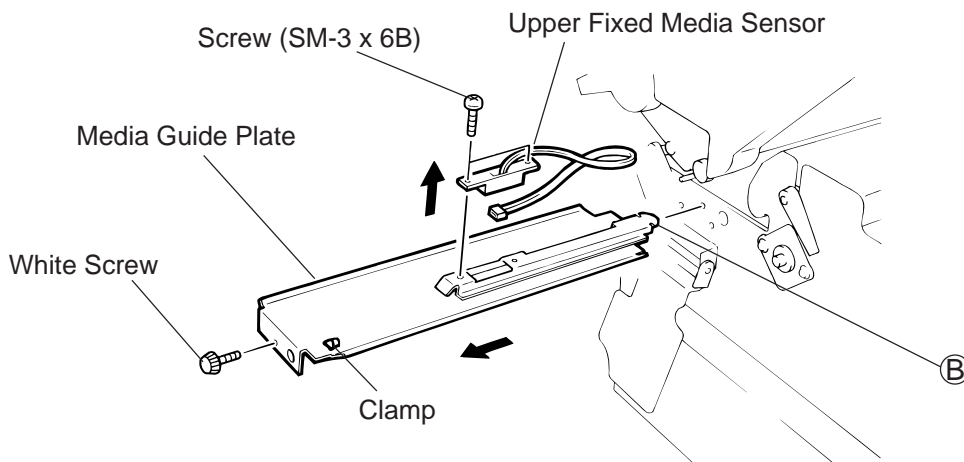


Fig. 2-16

- 7) Replace the fixed/movable media sensors and reassemble in the reverse order of removal.

2.9 PERIODIC MAINTENANCE PROCEDURE

All machines are generally delivered in their best condition. To maintain optimal operating condition and help gain maximum performance and life of machines, we would recommend you to conduct periodic maintenance. Doing this is also effective in preventing unexpected troubles and avoiding wasteful system down, by which more benefit is produced to your customers and greater reliance is placed on the product quality.

Please refer to the following general maintenance procedure and perform periodic servicing.

NOTE: Before starting the periodic maintenance, be sure to read carefully and understand the Service Manuals, especially warnings, cautions and adjustment.

1. Ask and operator or a manager about any machine trouble.
2. Check the run distance on the maintenance counter.
3. Unplug the power cord, and then open the printer cover.
4. Clean the inside of the printer.
 - 1) The entire inside of the printer should be cleaned.
 - 2) Wipe the platen and the feed roller with a cloth moistened with alcohol.
 - 3) Clean the print head elements with a print head cleaner.
(Please instruct your customers to clean them daily.)
 - 4) Clean the sensors.
 - 5) Remove paper debris or label glue from the media path.
5. Apply FLOIL G-488 to the specified parts.
 - 1) Apply grease to the cutter unit using a soft cloth.

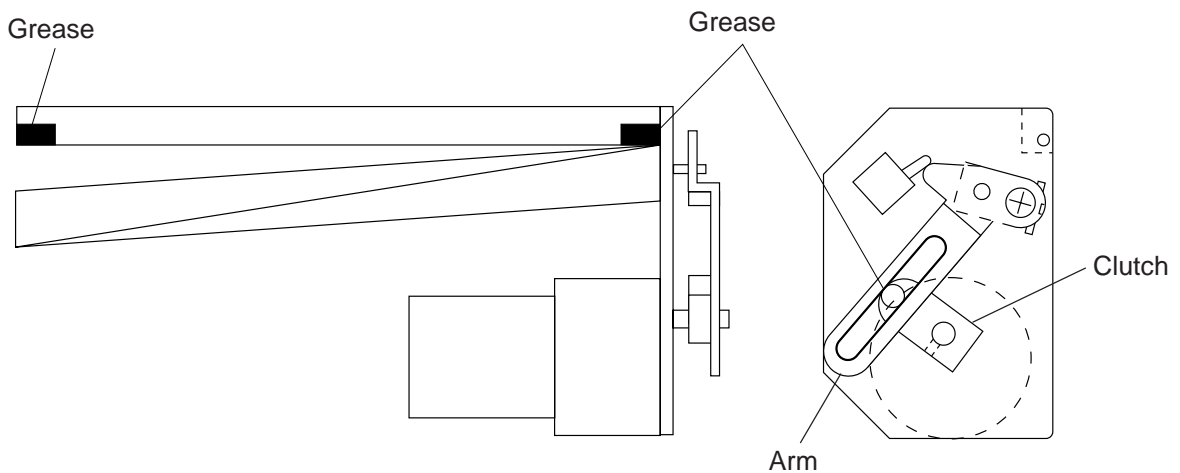


Fig. 2-17

6. Confirm that the problem occurs as reported, and then take corrective action.
7. Replace the following parts periodically, if necessary. The following table shows approximate product life for each part.

No.	Part Name	Part No.	Standard Interval of Replacement
1	Ribbon Motor	FMBB0030501 FMBB0030502	730 Km
2	Cutter Unit (Option)	GFM-0065001	1,000,000 cuts
3	Platen	FMBC0045501	50 Km
4	Feed Rooler	FMBC0044601	50 Km

NOTE: *The above values of the cutter life are obtained on condition that the periodically maintained cutter is used with TOSHIBA TEC-approved supplies by the proper method described in the manuals.*

8. Confirm each part adjustment. Make any necessary adjustments.
9. Conduct the following tests and make sure that there is no problem.
 - 1) Print test with TOSHIBA TEC-specified media and ribbon. (Print tone, print head position, etc.)
 - 2) Paper skew
 - 3) Print start position adjustment (Horizontal: Media position, Vertical: Sensor adjustment/ Adjustment by issuing commands)
 - 4) Communication test
 - 5) Abnorma noise
 - 6) Confirm that there are not any other errors.
10. Mount the printer cover.
11. Clean the outside of the printer.
12. Fill out a report form. Hand it to the manager and obtain a signature.

3. INSTALLATION PROCEDURE FOR OPTIONAL EQUIPMENT

WARNING!

Make sure to unplug the power cord before installing any optional equipment.

3.1 CUTTER MODULE (B-4208-QM)

NOTE: This module cannot be used together with the B-4908-H-QM strip module. Remove the strip module if it has been attached to the printer.

Description	Q'ty/Unit	Description	Q'ty/Unit
Cutter Unit	1	Cutter Attaching Screw	2
Cutter	1	Screw (FL-4x6)	2
Cutter Harness	1	Screw (SM-4x6C)	1
Cutter Support	1	Cleaner	1

- 1) Open the right side cover and the top cover. (See Fig. 2-1.)
- 2) Remove the left side cover. (See Fig. 2-1.)
- 3) Remove the front plate. (See Fig. 2-6.)
- 4) Remove the screw (SM-4x8B) and two connectors to detach the operation panel.
- 5) Attach the cutter support to the main frame with the two screws (FL-4x6).

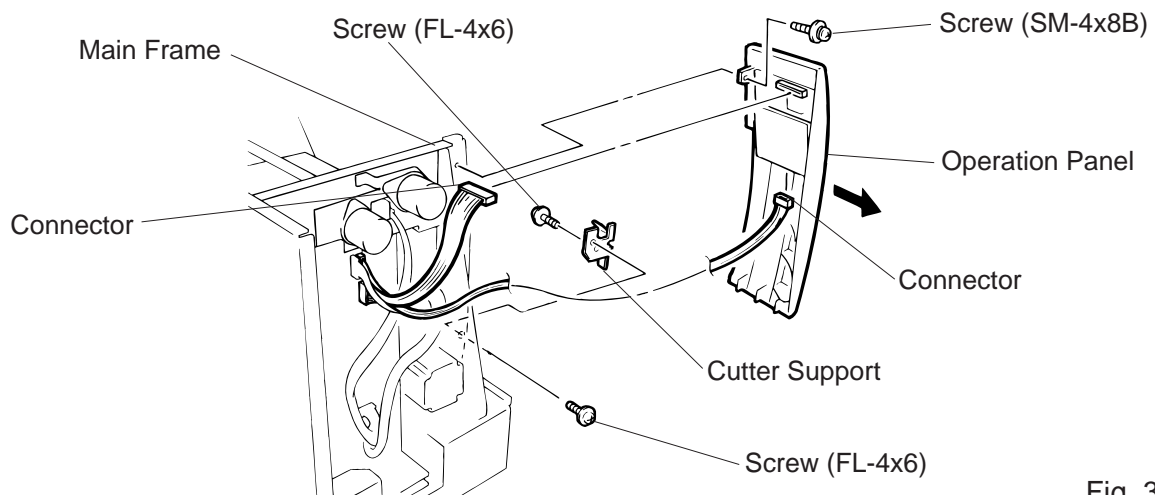


Fig. 3-1

- 6) Install the cutter unit with the attached four screws (cutter attaching screw, SM-4x6C and FL-4x6).
- 7) Connect the cutter harness to CN1 on the cutter I/F PC board through the opening of the cutter unit.

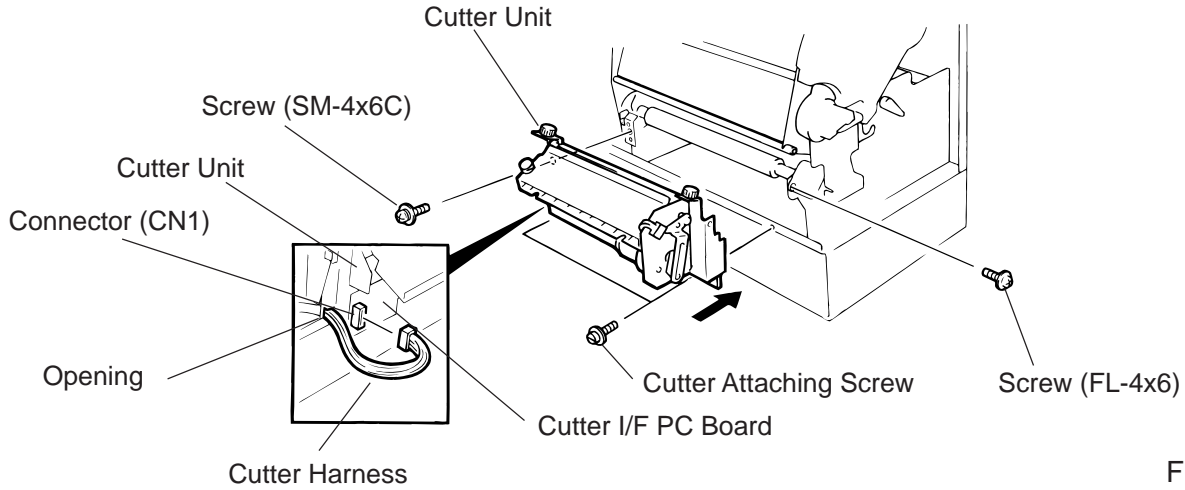


Fig. 3-2

- 8) Connect the cutter cable to the CN15 on the CPU PC board.

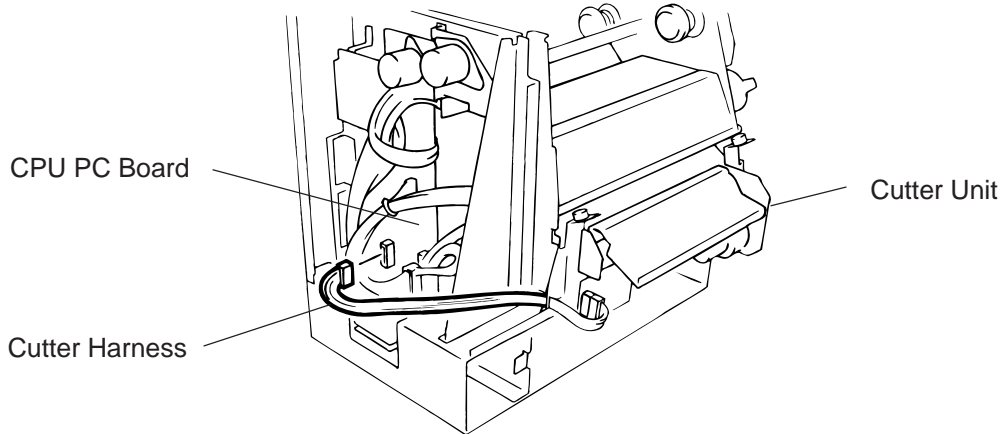


Fig.3-3

- 9) Mount the cutter cover with the two screws.

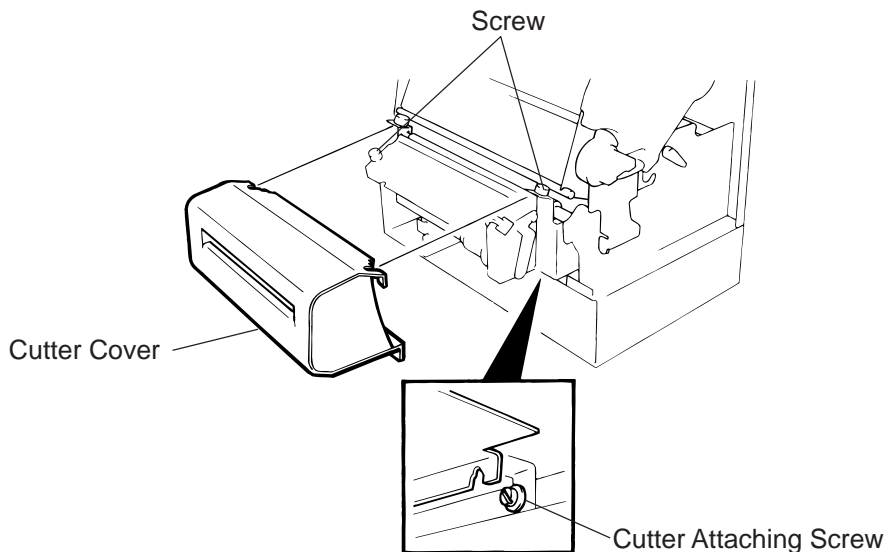


Fig. 3-4

- 10) Mount the operation panel and the left side cover on the printer.
- 11) Close the top and right covers.
- 12) After reassembly is complete, perform a test print to confirm that the cutter works properly. If the print start position becomes misalign when media is fed in the reverse direction, fine adjust the back feed value using the Back Feed Fine Adjustment procedure in diag. mode.

- NOTES:**
1. If the top edge of label winds onto the platen in cut issue, set DIP SW. 1-5 to ON. (Refer to the Owner's Manual.)
 2. Retain the parts that are removed during installation of the cutter unit. They will be required when the printer is modified to a standard type.

Removed Parts	Q'ty/Unit	Removed Parts	Q'ty/Unit
Front plate	1	Screw (FL-4x6)	3

■ **Adjusting the Cutter Guide Plates**

After replacing the cutter unit the following adjustment procedure should be employed to prevent paper jams.

1. Attach the cutter guide plate A with two SM-4 x 6C screw so that the fixed cutter is positioned 0.1 mm to 0.4 mm above the bottom of the cutter guide plate A.
2. Attach the cutter guide plate B with two FL-4 x 8 screws so that there is a clearance of 0.5 mm between the cutter guide plate A and cutter guide plate B using a clearance gauge.

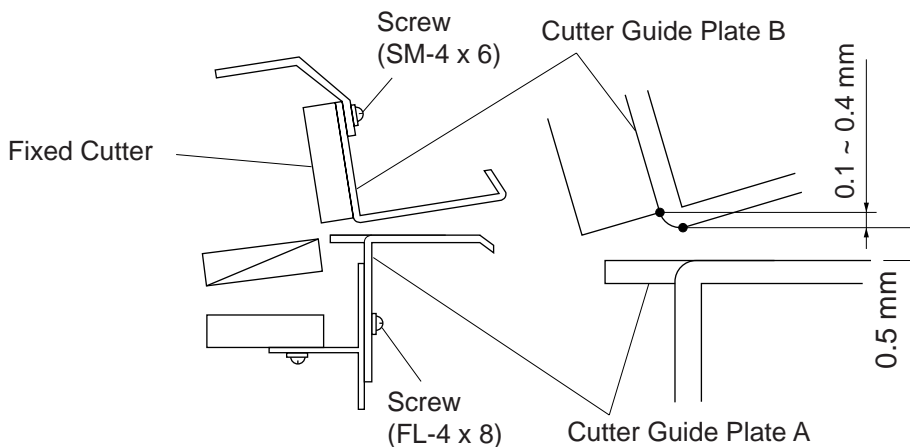


Fig. 3-5

3.2 MEMORY MODULE

- 1) Open the right side cover and the top cover. (See Fig. 2-1.)
- 2) Remove the left side cover. (See Fig. 2-1.)
- 3) Remove the CPU PC board. (See Fig. 2-2.)
- 4) Directly connect the D-RAM PC board to CN20 on the CPU PC board, and then secure it with the two locking supports.

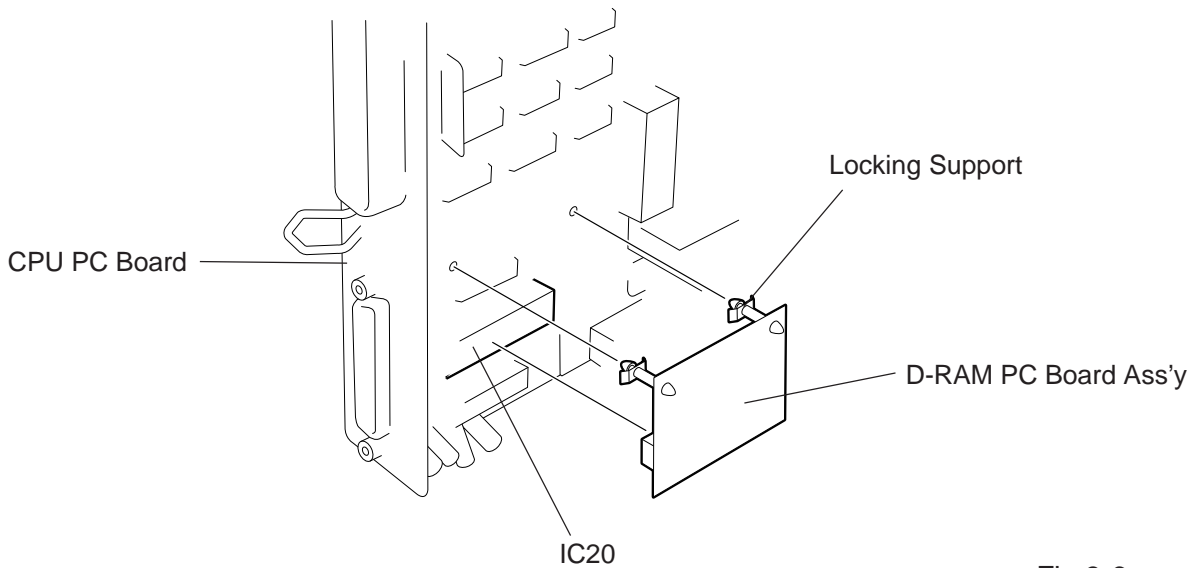


Fig.3-6

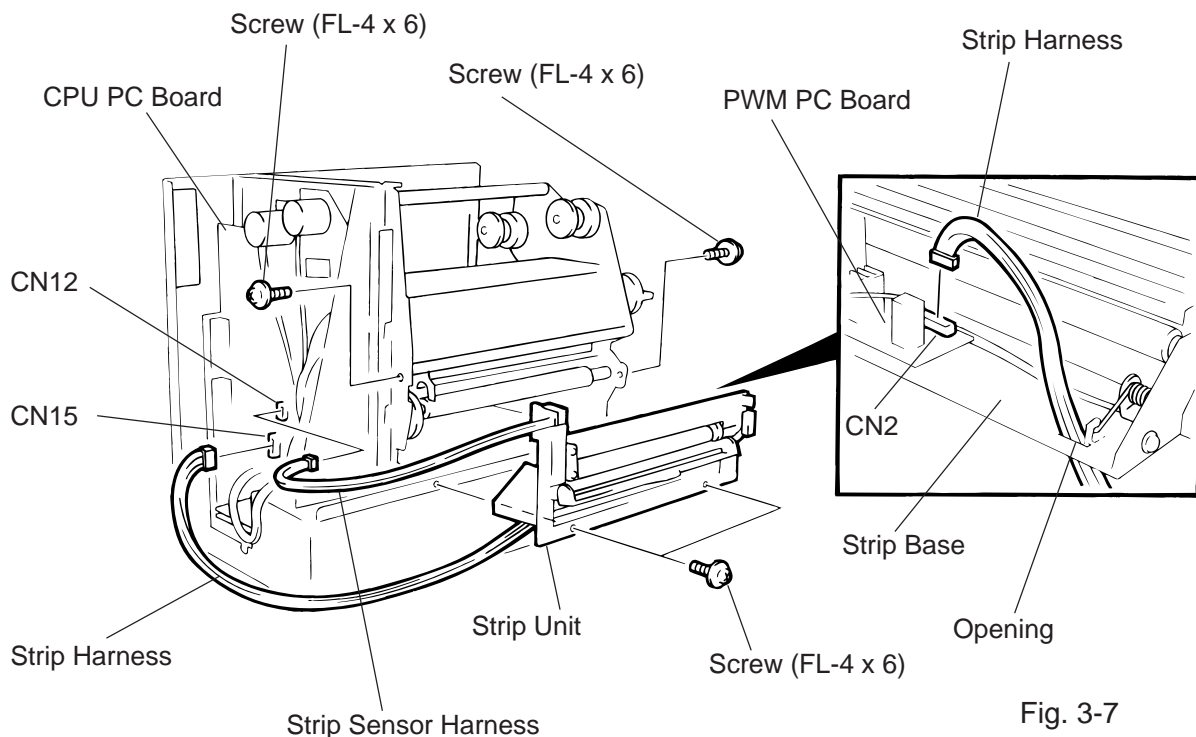
RAM Capacity	Max. drawing size (normal) (W) x (H) (mm)			Max. drawing aize (on-the-fly) (W) x (H) (mm)			Remarks
	Batch	Strip	Auto-cut	Batch	Strip	Auto-cut	
2 MB	170.6 x 298.6			170.6 x 149.3			Standard
4 MB	170.6 x 999.9			170.6 x 661.3			Option

3.3 STRIP MODULE (B-4908-H-QM)

NOTE: This module cannot be used together with the B-4208-QM cutter module. Remove the cutter module if it has been attached to the printer.

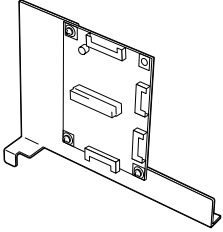
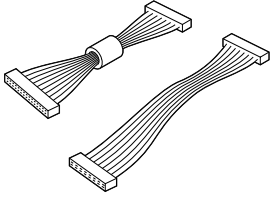
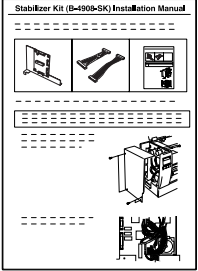

Description	Q'ty/Unit
Strip Unit	1
Strip Harness	1

- 1) Open the right side cover and the top cover. (See Fig. 2-1)
- 2) Remove the left side cover (See Fig. 2-1)
- 3) Remove the front plate (See Fig. 2-6)
- 4) Remove the operation panel (See Fig. 3-1)
- 5) Connect the strip harness to the CN2 on the PWM PC board through the opening of the strip base.
- 6) Install the strip unit to the printer with the four FL-4 x 6 screws removed in STEP 3.
- 7) Connect the strip harness to the CN15 on the CPU PC board.
- 8) Connect the strip sensor harness to the CN12 on the CPU PC board.



- 9) Mount the operation panel and the left side cover on the printer.
- 10) Close the top and right covers.
- 11) Refer to Section 6.4 of the Maintenance Manual to load the label and make a test print to check for proper strip issue. If not, refer to Section 6.3.2 of the Maintenance Manual to adjust the strip position.

3.4 STABILIZER KIT

<p>Stabilizer PC Board Ass'y (1 pc.)</p> 	<p>Harness S (1 pc.) ... Yellow Harness P (1 pc.) ... Black</p> 	<p>Installation Manual (1 pc.)</p> 	<p>EU Standard Sticker (1 pc.)</p> 
--	--	---	--

- 1) Turn the power of the printer off, then open the top cover. Remove the six screws to detach the left side cover.

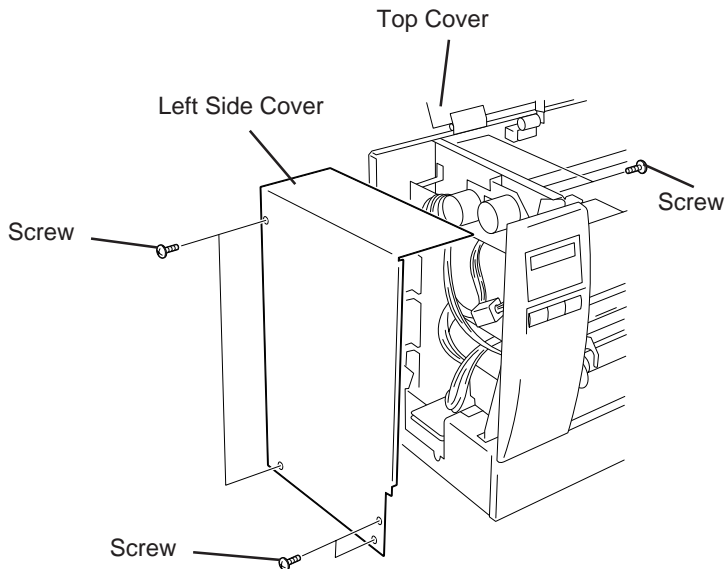


Fig. 3-8

- 2) Detach the yellow and the red cables from the CN 9 and the CN 17 on the CPU PC board.

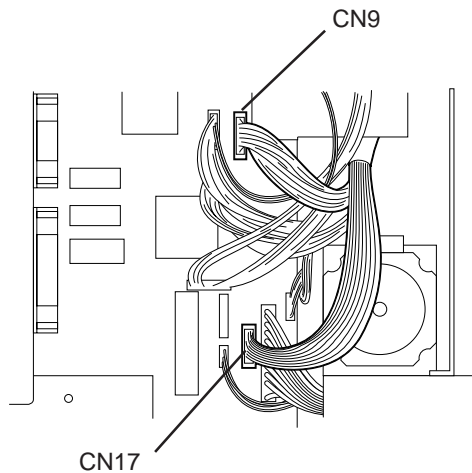


Fig. 3-9

3. INSTALLATION PROCEDURE FOR OPTIONAL EQUIPMENT

EM18-33017
(Revision Date: Jul. 26 '99)
3.4 STABILIZER KIT

- 3) Connect the harness S (yellow) to the CN 9 on the CPU PC board and the harness P (black) to the CN 17, respectively.

NOTE: As for the harness, connect the connector housing which has fewer pins to the connector on the CPU PC board side.

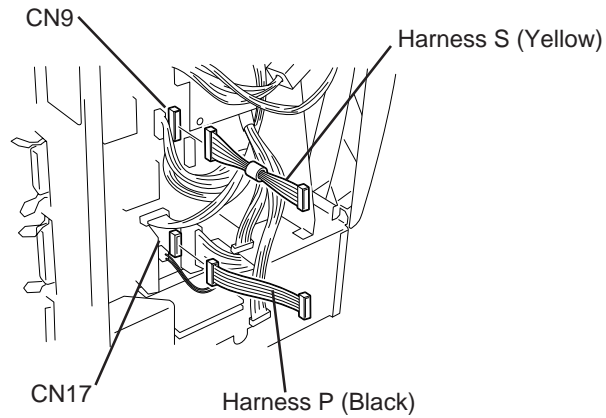


Fig. 3-10

- 4) Remove the screw A, then insert the guide plate provided to the stabilizer PC board ass'y into the square hole of the part B. Secure the stabilizer PC board ass'y using the screw A.

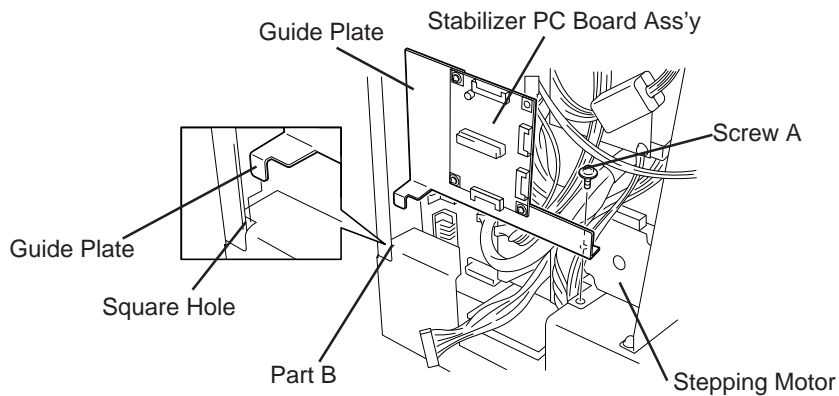


Fig. 3-11

- 5) Connect the harness S (yellow) to the CN 2 on the stabilizer PC board ass'y and the harness P (black) to the CN 3, respectively. Respectively connect the red and the yellow cables detached in the step 2 to the CN 4 and the CN 5 on the stabilizer PC board ass'y.

CN 2:Harness S(Yellow) CN 4:Red cable
 CN 3:Harness P (Black) CN 5:Yellow cable

NOTES: 1. The connector design prevents wrong insertion. Therefore, when you connect the connectors, care must be taken to the connector faces and avoid forcibly pressing the connectors.

2. After you connect the connectors, check that no looseness exists on them.

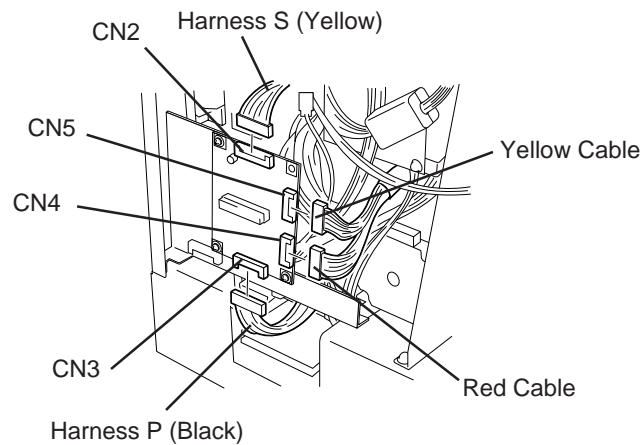


Fig. 3-12

- 6) Secure the left side cover using the six screws, then close the top cover. Stick the attached EU standard sticker on the sticker currently stuck.

NOTE: Care must be taken to the cables when attaching the left side cover.

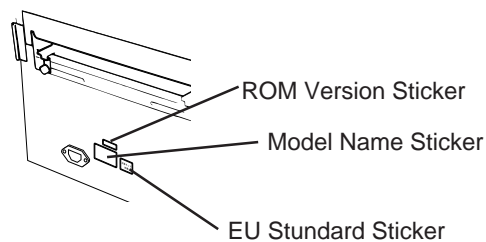


Fig. 3-13

4. MECHANISM DESCRIPTION

4.1 CUTTER DRIVE (CUTTER MODE)

The printer supplies DC + 27 V to the cutter motor to rotate it and the clutch counter clockwise. The arm swings like a pendulum and moves the fixed slide cutter up and down to make a cut.

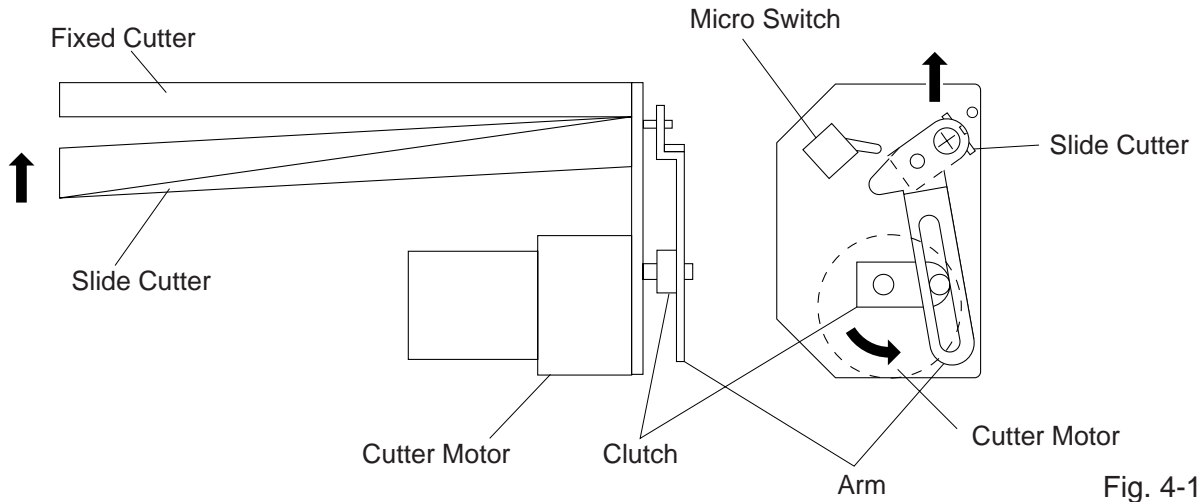


Fig. 4-1

After making a cut, the arm turns the micro switch off and the cutter home position is detected. When the cutter does not return to the home position because of a paper jam, an error occurs and the next piece of paper will not be cut.

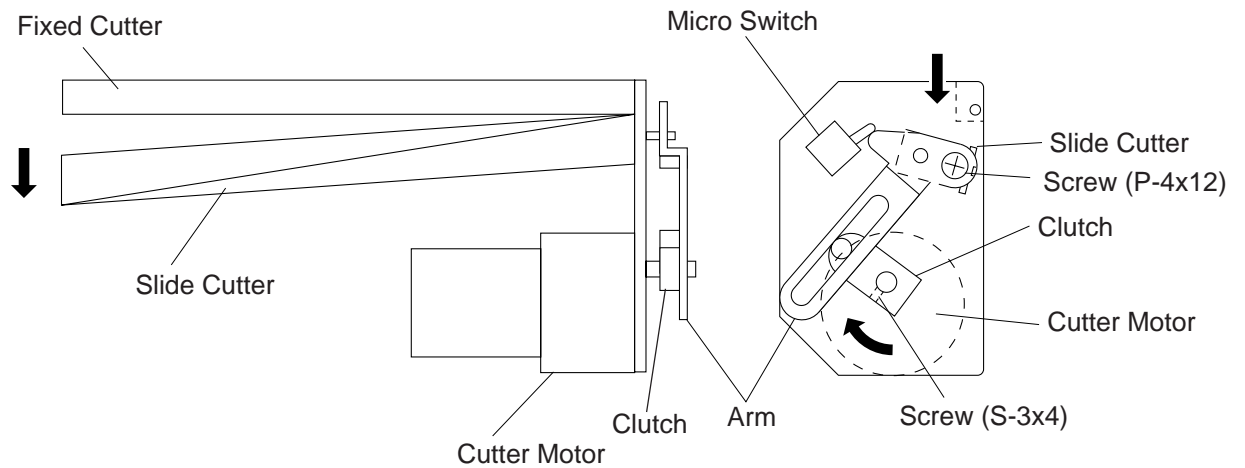
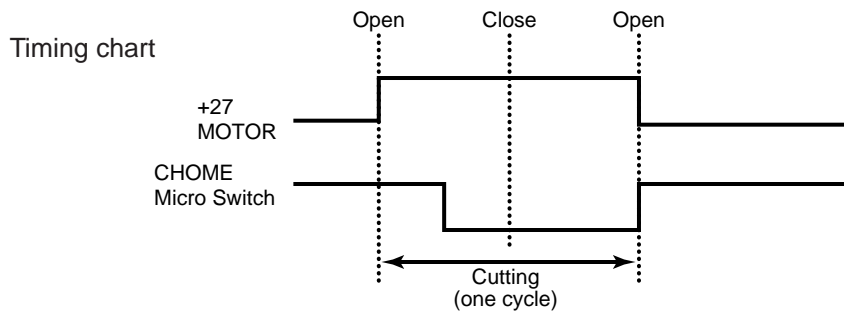


Fig. 4-2



4.1.1 Replacing the Cutter Arm and Clutch

If a moving portion of the arm or the clutch is distorted by wear, purchase the following part from TEC Parts Dept. and replace them. Doing so will prolong the cutter life.

Part No.: ZBA-1464001

Part Name: Arm and Clutch Kit

- NOTES:**
1. Apply grease when replacing the parts. (Refer to Fig. 2-17)
 2. Cutter unit components except above are unavailable.
 3. Please purchase 10 sets or more at one order.

■ **Replacing procedure**

1. Remove the P-4x12 screw to detach the arm. (Refer to Fig. 4-2)
2. Remove the S-3x4 screw to detach the clutch. (Refer to Fig. 4-2)

NOTE: When removing the S-3x4 screw, use a straight hex wrench.

3. Secure the new clutch with the S-3x4 screw so that the screw is perpendicular to the section of the D-cut power shaft of the cutter motor.

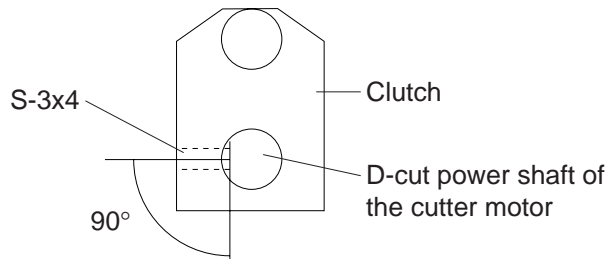


Fig. 4-3

4. Turn the power on and move the clutch to the home position.
5. Insert a 2.8 mm thick clearance gauge between the fixed and rotary cutters (right end) and secure the new arm with the P-4x12 screw. A clearance gauge must be made of plastic or something which will not damage the cutter edge.

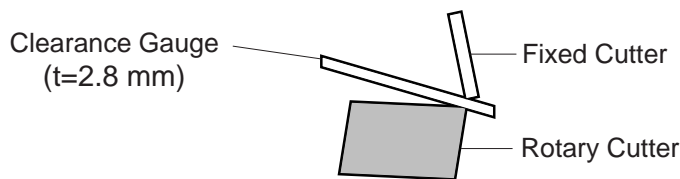


Fig. 4-4

6. Activate the cutter and check that the clutch is in the home position (indicated by the following figure). If it is not, do over from step 3.

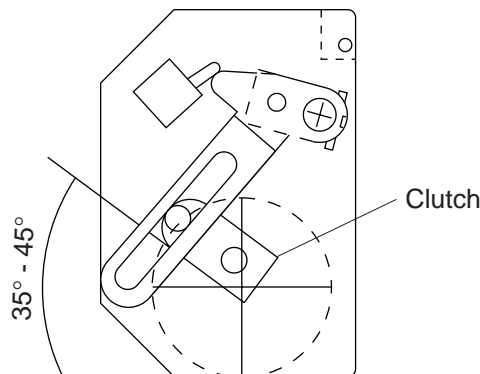


Fig. 4-5

5. TROUBLESHOOTING

Problems	Cause	Solution
Power does not turn ON.	<ol style="list-style-type: none"> 1. Input voltage to the printer is not within the rated voltage. (Check by CN1 on the PS unit.) 2. Output voltage from the printer is not within the rated voltage. (Check that the voltage between Pin 4 and Pin 6 (GND) of CN1 on the PS unit is 27 V. And check that the voltage between Pin 11 and Pin 6 (GND) is 5 V.) 3. No voltage to the CPU PC board. (Check that the voltage between Pin 1 and Pin 5 (GND) of CN16 on the CPU PC board is 27 V. And check that the voltage between Pin 11 and Pin 5 (GND) is 5 V.) 4. Failure of CPU PC board. 	<ul style="list-style-type: none"> • Replace the power cable or power inlet. • Replace the PS unit. • Replace the power harness. • Replace the CPU PC board.
LED or LCD does not light.	<ol style="list-style-type: none"> 1. Failure of the LED board/LCD 2. Failure of the LCD/LED harness 3. Failure of the CPU PC board 	<ul style="list-style-type: none"> • Replace the LED board/LCD. • Replace the LCD/LED harness. • Replace the CPU PC board.
Poor printing	<ol style="list-style-type: none"> 1. The print paper is of poor quality. 2. Dirty print head 3. The head lever fastens the print head incompletely. 	<ul style="list-style-type: none"> • Use the media approved by TOSHIBA TEC. • Clean the print head. • Fasten the head lever completely.
Printer does not print	<ol style="list-style-type: none"> 1. Print head failure 2. Connection of the print head connector is incomplete, a bad contact, or broken wires. 3. Failure in rewinding/feeding of the ribbon. 4. Failure of the CPU PC board 5. Failure of the software 6. Failure of the printer cable 	<ul style="list-style-type: none"> • Replace the print head. • Connect the harness completely, or replace the harness. • Replace the ribbon rewind motor, ribbon feed motor or CPU board. • Replace the CPU PC board. • Check the program. • Replace the printer cable.
Dot missing	<ol style="list-style-type: none"> 1. Broken print head element 2. Broken print head cable wires 3. Failure of the CPU PC board 	<ul style="list-style-type: none"> • Replace the print head. • Replace the print head harness. • Replace the CPU PC board.

Problems	Cause	Solution
Blurred print	<ol style="list-style-type: none"> Poor media quality. Dust is on the media. 	<ul style="list-style-type: none"> Use only TOSHIBATEC specified media. Clean the print head and remove any dust from the media.
Ribbon wrinkle	<ol style="list-style-type: none"> Poor ribbon quality Ribbon is not rewound or fed smoothly. 	<ul style="list-style-type: none"> Use only TOSHIBATEC specified ribbon. Replace the ribbon rewind motor or ribbon feed motor.
Ribbon end error	<ol style="list-style-type: none"> Poor ribbon quality Improper voltage applied to the ribbon end sensor Failure of the ribbon end sensor Failure of the circuit which controls the ribbon end sensor. 	<ul style="list-style-type: none"> Use only TOSHIBATEC specified ribbon. Refer to page 2-3 to adjust the ribbon end sensor. Replace the ribbon end sensor. Replace the CPU PC board.
Label feed failure	<ol style="list-style-type: none"> Paper is not set properly. Paper of poor quality Improper adjustment of the feed gap sensor or black mark sensor. The proper media sensor is not selected. Threshold is improper. Failure of the feed gap sensor or black mark sensor Labels cannot be stripped off the backing paper or the backing paper with labels cannot be wound properly. The cutter mechanism is not installed properly. Failure of the stepping motor 	<ul style="list-style-type: none"> Set the paper properly. Use paper approved by TOSHIBATEC. Re-adjust the sensor. Select the media sensor by DIP switch and adjust the sensitivity of the sensor. (Refer to page 6-40, 41) Set the threshold. (Refer to Owner's Manual.) Replace the feed gap sensor or black mark sensor. Replace the strip feed motor or CPU PC board. Install the cutter mechanism properly. Replace the stepping motor or CPU PC board.
Communication error	<ol style="list-style-type: none"> Failure of the communication cable Failure of the RS-232C connector Failure of the communication connector Failure of the PC or application software Failure of the CPU PC board 	<ul style="list-style-type: none"> Replace the cable. Replace the connector. Replace the connector. Modify the program. Replace IC51 (MC145407). If the trouble is not solved, replace the CPU PC board.

TABLE OF CONTENTS

	Page
6. DIAG. TEST OPERATION	6- 1
6.1 OUTLINE OF THE DIAG. TEST OPERATION	6- 1
6.2 SELF TEST MODE	6- 3
6.2.1 Maintenance Counter Printing	6- 3
6.2.2 Automatic Diagnostic Printing	6- 6
6.2.3 Head Broken Element Check	6-12
6.3 PARAMETER SETTING MODE	6-13
6.3.1 Feed Length Fine Adjustment	6-15
6.3.2 Cut/Strip Postion Fine Adjustment	6-16
6.3.3 Back Feed Length Fine Adujstment	6-17
6.3.4 X Axis Fine Adjustment	6-22
6.3.5 Print Tone Fine Adjustment	6-24
6.3.6 Character Code Selection	6-25
6.3.7 Font Zero Selection	6-26
6.3.8 Control Code Selection	6-27
6.3.9 Ribbon Type Selection	6-29
6.3.10 Ribbon Motor Drive Voltage Fine Adjustment	6-30
6.3.11 Strip Wait Status Setting	6-31
6.3.12 Threshold Manual Fine Adjustment for the Black Mark Sensor	6-32
6.3.13 Threshold Manual Fine Adjustment for the Feed Gap Sensor	6-33
6.3.14 Kanji Code Selection	6-36
6.3.15 Euro Font Code Selection	6-37
6.3.16 Head Type Selection	6-38
6.3.17 Transmission Control Mode Selection	6-39
6.3.18 Reset selection when the INPUT • PRIME Signal is ON.	6-40
6.4 TEST PRINT MODE	6-41
6.4.1 Normal Test Print	6-41
6.4.2 Process Test Print	6-47
6.5 SENSOR SETTING MODE	6-49
6.5.1 Thermistor Check	6-49
6.5.2 Black Mark Sensor Adjustment	6-50
6.5.3 Feed Gap Sensor Adjustment	6-51
6.5.4 Paper End Setting for Black Mark Sensor	6-52
6.5.5 Paper End Setting for Feed Gap Sensor	6-53
6.6 RAM CLEAR MODE	6-54
6.6.1 Maintenance Counter Clear	6-56
6.6.2 Parameter Clear	6-57

CAUTION:

1. *This manual may not be copied in whole or in part without prior written permission of TOSHIBA TEC.*
2. *The contents of this manual may be changed without notification.*
3. *Please refer to your local Authorized Service representative with regard to any queries you may have in this manual.*

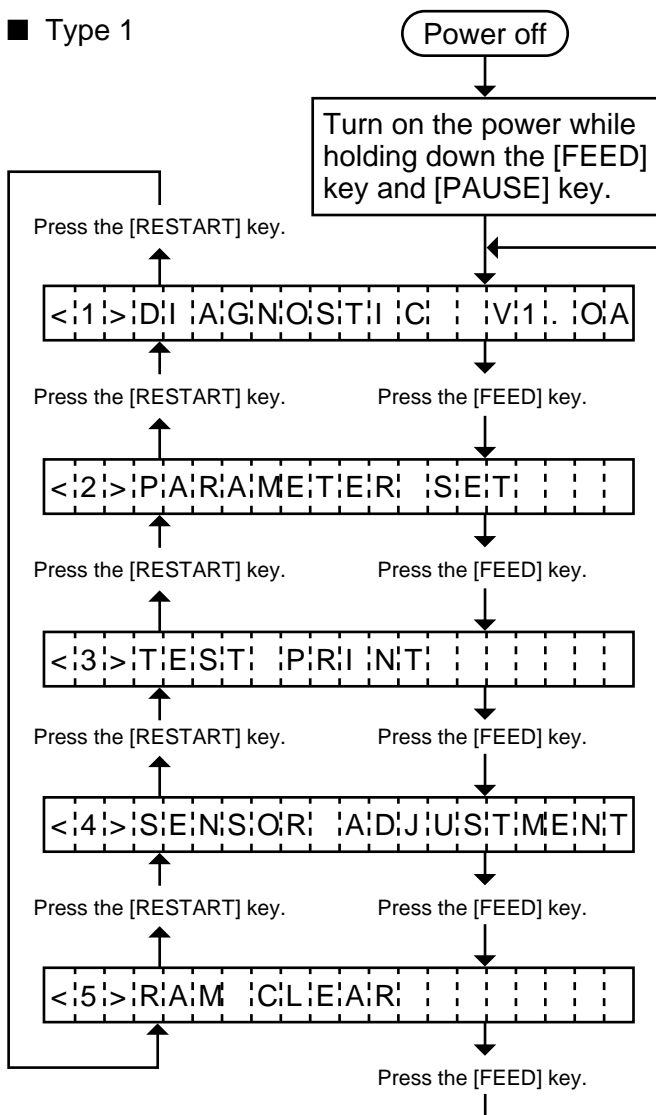
6. DIAG. TEST OPERATION

6.1 OUTLINE OF THE DIAG. TEST OPERATION

In system mode the diag. test operation is used to diagnose the printer and to set to the parameters by using the [FEED], [RESTART] and [PAUSE] keys on the operation panel. Diag. test operation (Type 1) is started from the power off state and the parameter setting (Type 2) is started while the printer is on-line or printing. For further details, please refer to the corresponding pages.

NOTE: Every size in this manual is written in millimeter. To obtain the size in inch, divide by 25.4.

■ Type 1



■ Self Test Mode (See page 6-3)

Data from the maintenance counter and automatic diagnosis are printed on the media. The result of the head broken element check is indicated in the display.

■ Parameter Setting Mode (See page 6-13)

Fine adjustment of the feed length, cut/strip position, back feed, X axis, print tone, and thresholds of the black mark sensor and feed gap sensor, and selection of character font, font zero, control code, ribbon type, ribbon motor torque, strip wait status, reset ON/OFF when the INPUT • PRIME signal is ON and Stacker are available in this mode.

■ Test Print Mode (See page 6-41)

Print condition and test print type (slant line, characters and bar code) are selectable.

■ Sensor Setting Mode (See page 6-49)

A thermistor check and the setting of the black mark and feed gap sensors are available in this mode.

A transmission check is made to both a print head thermistor and an environmental temperature thermistor.

■ RAM Clear Mode (See page 6-54)

Data from the maintenance counter is cleared and parameter setting is initialized in the RAM clear mode.

In system mode the [FEED], [RESTART] and [PAUSE] keys function as described below.

■ Key Function Table

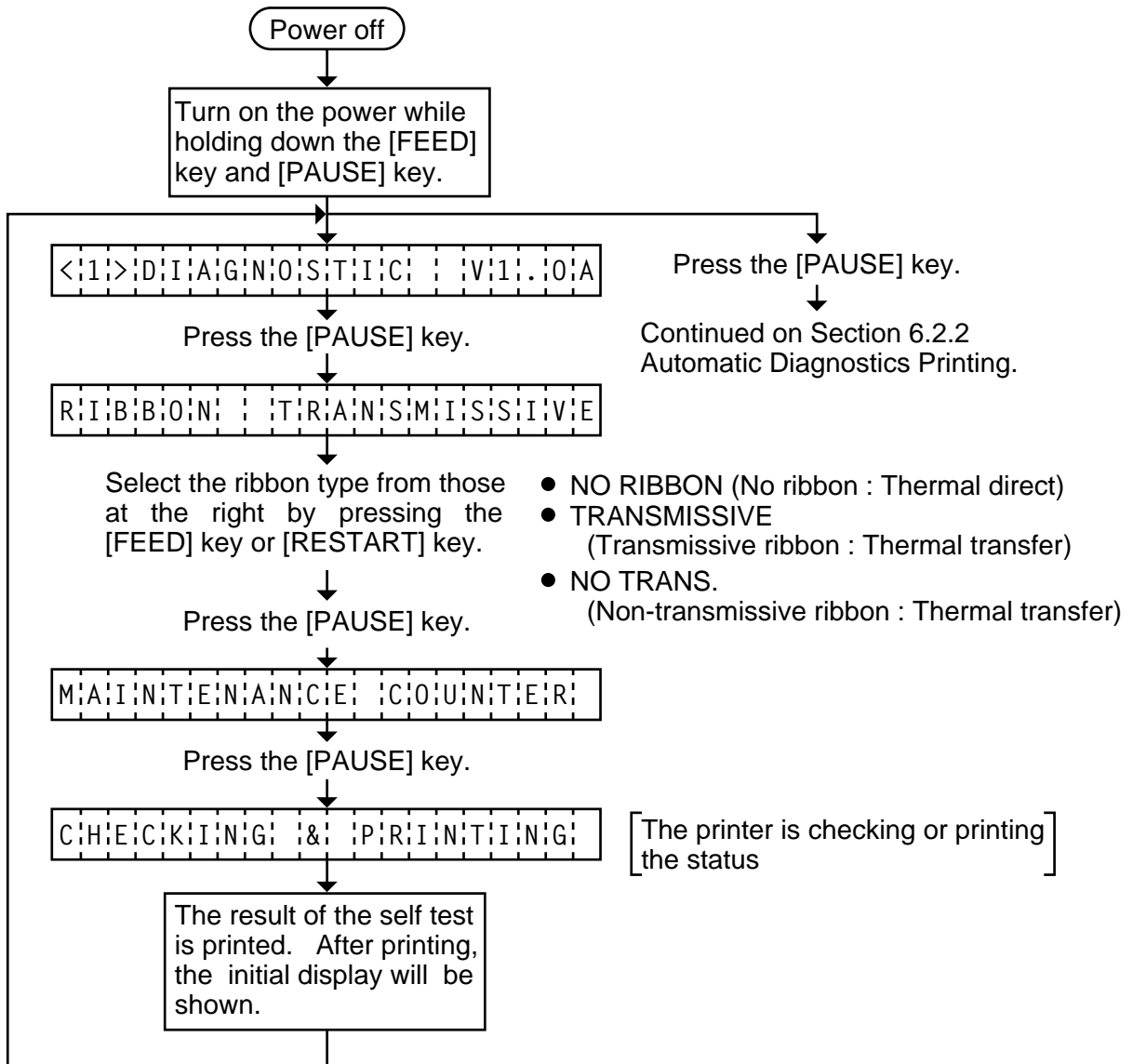
Key Name	Function
[FEED] key	Used to start the system mode as a [PAUSE] key does. Used to selected the parameter mode or to fine adjust the parameters in the negative direction (-).
[RESTART] key	Used to select the parameter mode or to fine adjust the parameters in the positive direction (+)
[PAUSE] key	Used to start the system mode as a [FEED] key does and to select the parameter mode. Used as an enter key.

6.2 SELF TEST MODE

In self test mode the printer status is printed in two types of sample print. The result of the head broken element check is indicated in the display.

6.2.1 Maintenance Counter Printing

The data from 1 to 31 on a sample print is printed. This data is the printer status and the value set in the parameter setting mode.



- NOTES:**
1. If the maintenance counter printing results in an error, the printer will display the error message and stop printing. The error status can be cleared by the [PAUSE] key, however, the display will return to the initial display "<1> DIAGNOSTIC V1.0A". Printing is not automatically resumed after the error is cleared.
 2. Both label and tag paper can be used for printing.

■ **Sample Print**

[Print Condition]

- Preset count : 1
- Print speed : 101.6 mm/sec.
- Sensor : No sensor
- Printing method : Thermal transfer
- Supply length : 50 mm
- Issuing mode : Batch printing
(without rewinder)

(1)	TL FEED	1882.3km	[PC]		
(2)	FEED	20.5km	FEED	-10.0mm	(14)
(3)	PRINT	15.0km	CUT	-5.0mm	(15)
(4)	CUT	148150	BACK	+3.0mm	(16)
(5)	HEAD U/D	170	TONE(T)	+3step	(17)
(6)	RIBBON	32h	TONE(D)	+5step	(18)
(7)	SOLENOID	0h	[KEY]		
(8)	232C ERR	1	FEED	+5.0mm	(19)
(9)	SYSERR	0	CUT	-1.5mm	(20)
(10)	PW FAIL	0	BACK	+0.5mm	(21)
(11)	FONT	[PC-850] [0]	TONE(T)	+0step	(22)
(12)	CODE	[ESC LF NUL]	TONE(D)	+1step	(23)
(13)	RIBN	[TRANS.]	X ADJ.	+35.0mm	(24)
(25)	RIBN ADJ. [PC] + 0 +0 [KEY] + 0 +0				
(26)	STATUS [OFF]				
(27)	THRESHOLD R 1.0V				
(28)	THRESHOLD T 1.4V				
(29)	KANJI [TYPE1]				
(30)	EURO CODE B0H				
(31)	HEAD [TYPE1]				
(32)	DTR/RTS [DTR]				
(33)	INPUT PRIME [ON]				

1) Maintenance Counter

Fig. 6-1

#	Item	Count Condition	Range
(1)	Total media distance covered	Counted when the feed motor drives to feed, print and issue the media. (Counted also during ribbonsave operation and back feed.) [See NOTE 2.]	0.0 ~ 3200.0 km
(2)	Media distance covered		0.0 ~ 200.0 km
(3)	Print distance	Counted while printing. (Feeding and issuing media, and ribbon saving operation are not counted.) [See NOTE 2.]	0.0 ~ 200.0 km
(4)	Cut count	Counts every cut. [See NOTE 3.]	0 ~ 1000000 times
(5)	Head up and down count	Uncounted because this printer has no solenoid.	0 time
(6)	Ribbon motor driving time	Counts when the ribbon motor drives to feed, print and issue the media. (The driving time is not counted during ribbon saving operation, but is during back feed.) [See NOTE 4.]	0 ~ 2000 hours
(7)	Solenoid driving time	Uncounted because this printer has no solenoid.	0 hour
(8)	RS-232C hardware error count	Counted when a parity, overrun or framing error occurs. [See NOTE 5.]	0 ~ 255 times
(9)	System error count	Counted when a zero-dividing error occurs or undefined command is retrieved.	0 ~ 15 times
(10)	Momentary power failure count	Counted when a momentary power failure occurs.	0 ~ 15 times

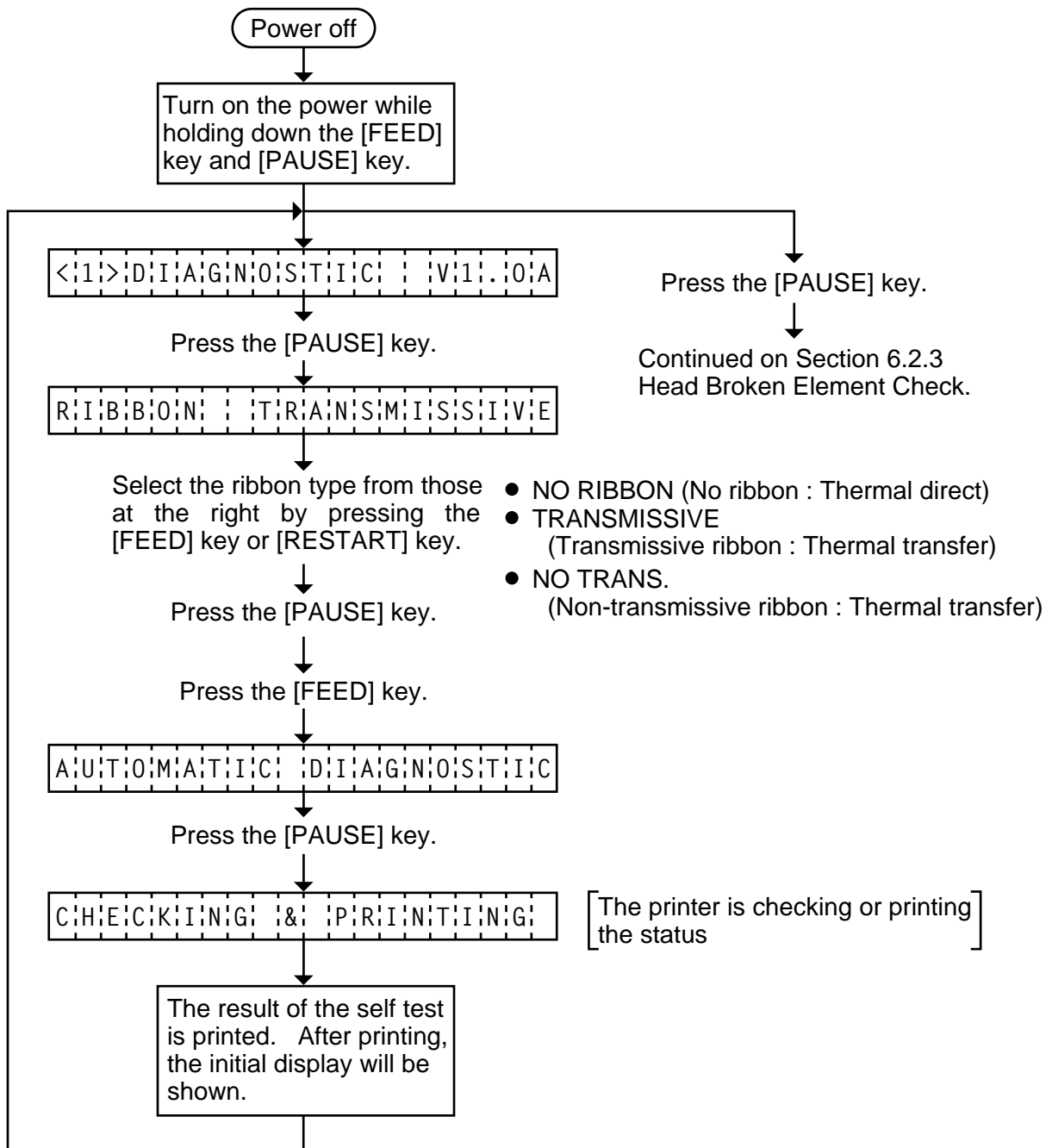
- NOTES:**
1. Item from (2) through (10) are initialized to "0" after RAM clear.
 2. If the distance is 5.5 m or less, it is rounded down and no data is added to the memory at power off.
 3. If the count is 31 counts or less, it is rounded down and no data is added to the memory at power off.
 4. If the driving time is 27 sec. or less, it is rounded down and no data is added to the memory at power off.
 5. When a sent command results in an error, the same number as the data capacity of the command is counted by byte.

2) Parameters

#	Item	Contents
(11)	Character code selection	PC-850 : PC-850PC-8 : PC-8
	Font zero selection	0 : No slash used. Ø : Slash used.
(12)	Control code selection	AUTO : Automatic selection ESC LF NUL : ESC LF NUL mode { } : Mainframe mode 1B 1C 1D : Manual mode
(13)	Ribbon type selection	TRANS. : Transmissive ribbon NON TRANS. : Non-transmissive ribbon
(14) (19)	Feed length fine adjustment (PC), (KEY)	-50.0 mm to +50.0 mm
(15) (20)	Cut/strip position fine adjustment (PC), (KEY)	-50.0 mm to +50.0 mm
(16) (21)	Back feed length fine adjustment (Thermal transfer) (PC), (KEY)	-9.9 mm to +9.9 mm
(17) (22)	Print tone fine adjustment (Thermal transfer) (PC), (KEY)	-10 step to +10 step
(18) (23)	Print tone fine adjustment (Thermal direct) (PC), (KEY)	-10 step to +10 step
(24)	X axis fine adjustment	-99.5 mm to +99.5 mm
(25)	Ribbon Motor	+15 step to +0 step
(26)	Strip wait status	1: Strip wait status is not sent to the PC. 2: Strip wait status is sent to the PC.
(27)	Threshold manual fine adjustment for the black mark sensor	0.0 V to 4.0 V
(28)	Threshold manual fine adjustment for the feed gap sensor	0.0V to 4.0 V
(29)	Kanji code type (not supported by QQ/QP models.)	TYPE 1: Windows code TYPE 2: Original code
(30)	Euro font code setting	20H to FFH
(31)	HEAD TYPE	TYPE1: KCE-213-12MPT2-TEB TYPE2: KCE-213-12MPT2-TEA
(32)	Transmission Control Mode	DTR: READY/BUSY (DTR) protocol (DTR/DSR) RTS: READY/BUSY (RTS) protocol (RTS/CTS)
(33)	Reset selection when the INPUT • PRIME signal is ON.	ON: The printer will restore to the initial status. OFF: The printer will not restore to the initial status.

6.2.2 Automatic Diagnostic Printing

The data from ① to ⑨ on a sample print is printed.



- NOTES:**
1. If the automatic diagnosis printing results in an error, the printer will display the error message and stop printing. The error status can be cleared by the [PAUSE] key, however, the display will return to the initial display "<1> DIAGNOSTIC V1.0A". Printing is not automatically resumed.
 2. Both label and tag paper can be used for printing.

■ **Sample Print**

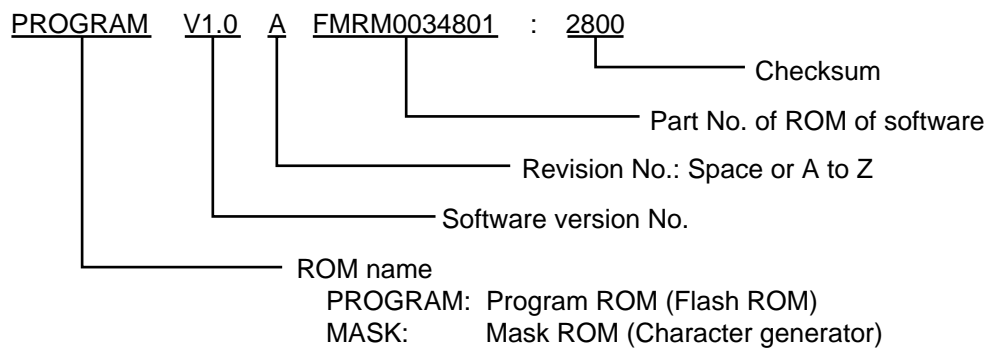
[Print Condition]

- Preset count : 1
- Print speed : 101.6 mm/sec.
- Sensor : No sensor
- Printing method : Thermal transfer
- Supply length : 50 mm
- Issuing mode : Batch printing
(without rewinder)

①	PROGRAM	V1.0A FMRM0034801:2800
	MASK	V1.0 FMRM0034901:B100
②	KANJI	0000:0000
		0000:0000:0000:0000
③	EEPROM	OK
④	DRAM	1024KB
⑤	CARD	OK
⑥	SENSOR1	00000000,10110011
⑦	SENSOR2	[H]3.1V [A]2.8V [R]3.3V [T]2.4V [RANK]3
⑧	DIP SW	00000000,10001010
⑨	EXP. I/O	OK

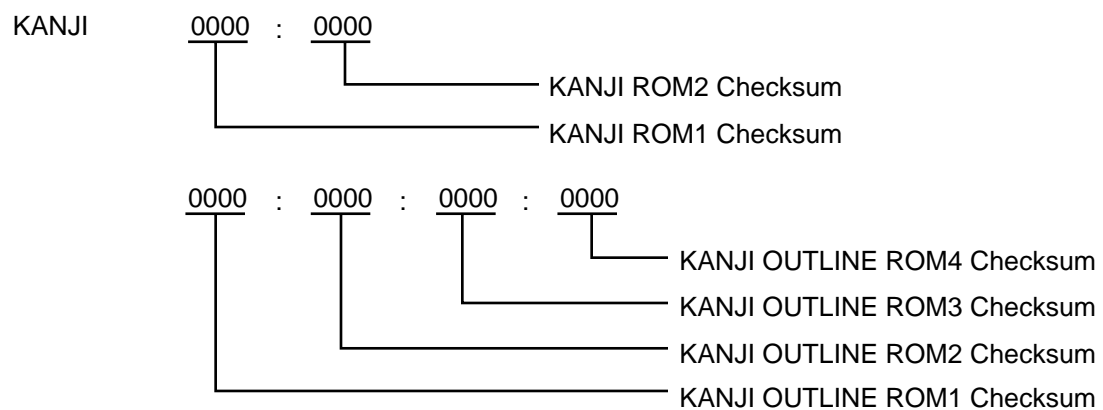
Fig. 6-2

① PROGRAM/MASK ROM Check



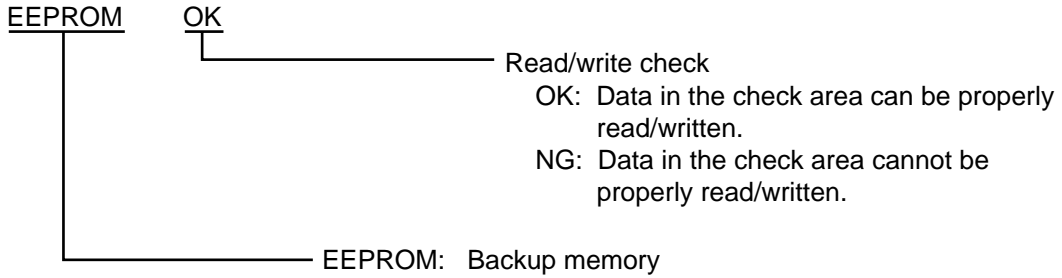
- NOTES:**
1. Software version No., part No. of ROM and checksum vary according to the software version of PROGRAM/MASK ROM.
 2. The last two digits of the checksum are usually 0.

② KANJI ROM Check

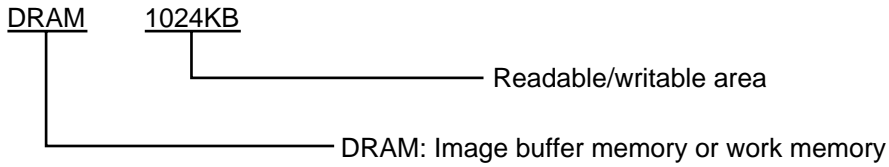


- NOTES:**
1. Checksum varies according to the software version.
 2. When the KANJI ROM or KANJI OUTLINE ROM is not installed, the checksum because "0000".
 3. The last two digits of the checksum are not 0.

③ EEPROM Check

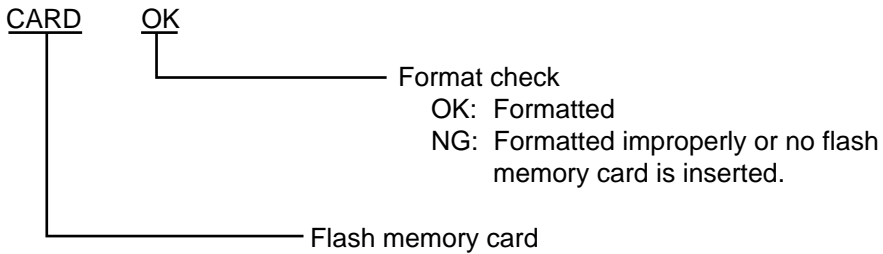


④ DRAM Check

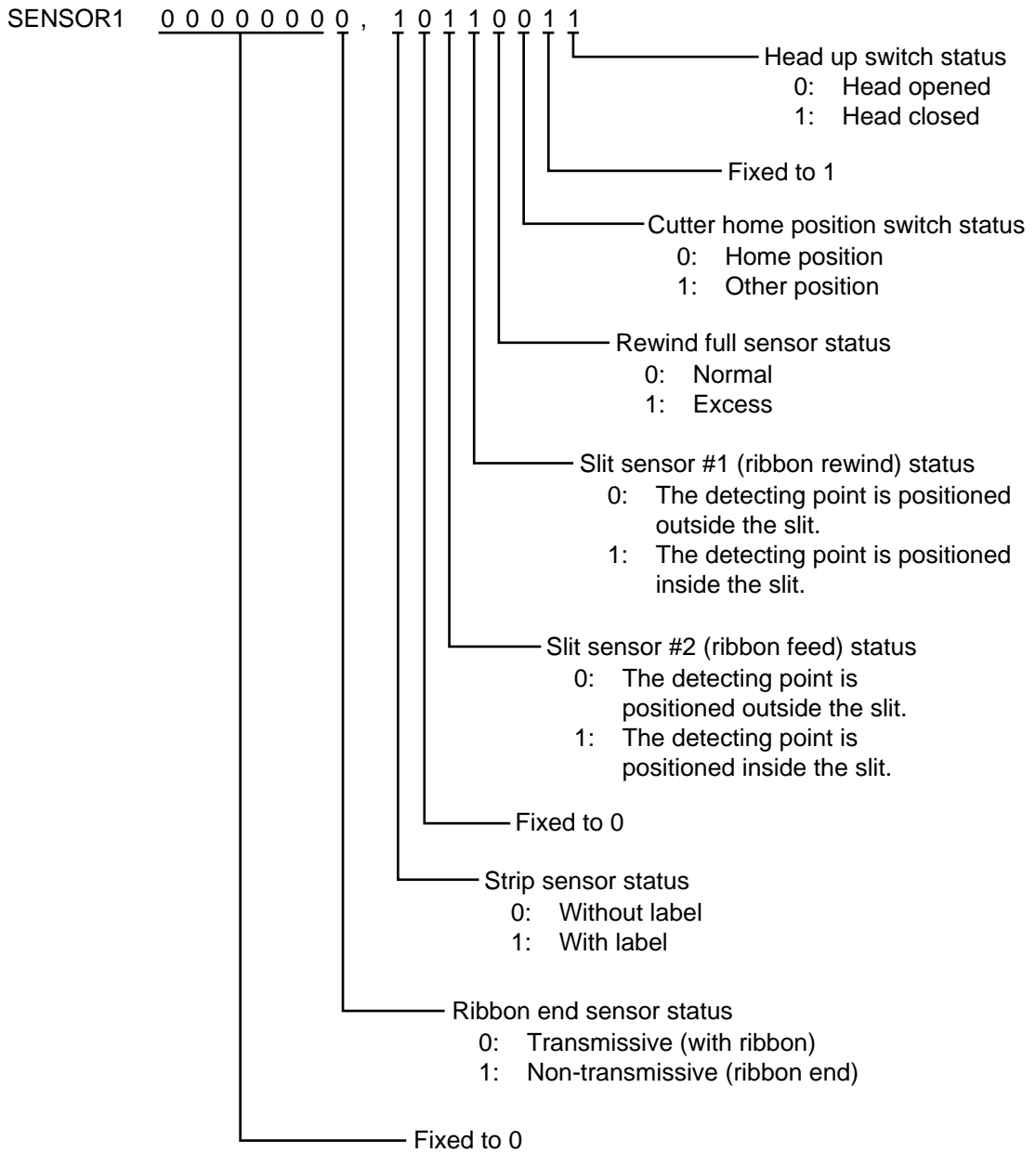


NOTE: If an error is detected during DRAM check, the display of readable/writable area will stop when the error occurs.

⑤ Flash Memory Card Check

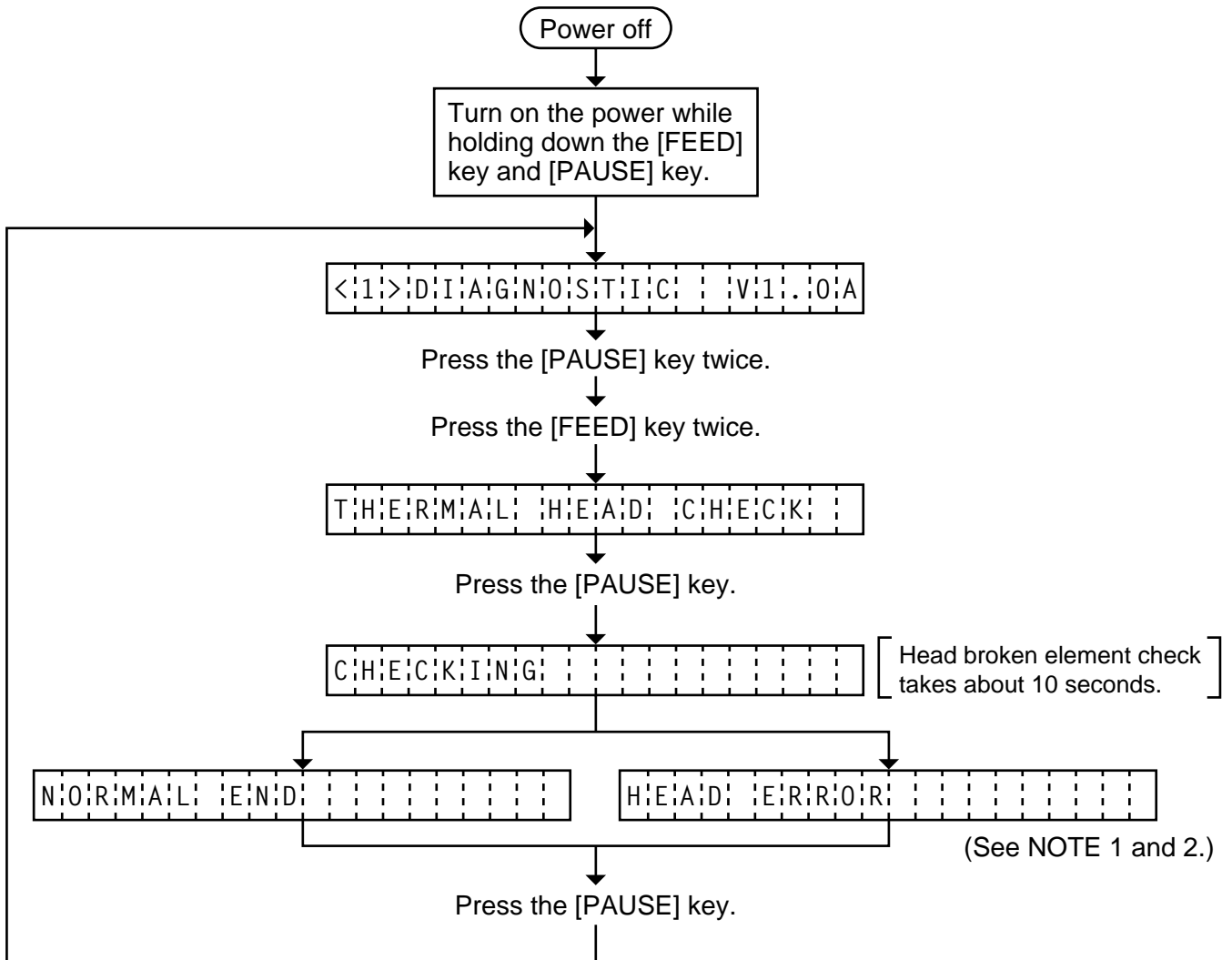


⑥ Sensor 1 Check



6.2.3 Head Broken Element Check

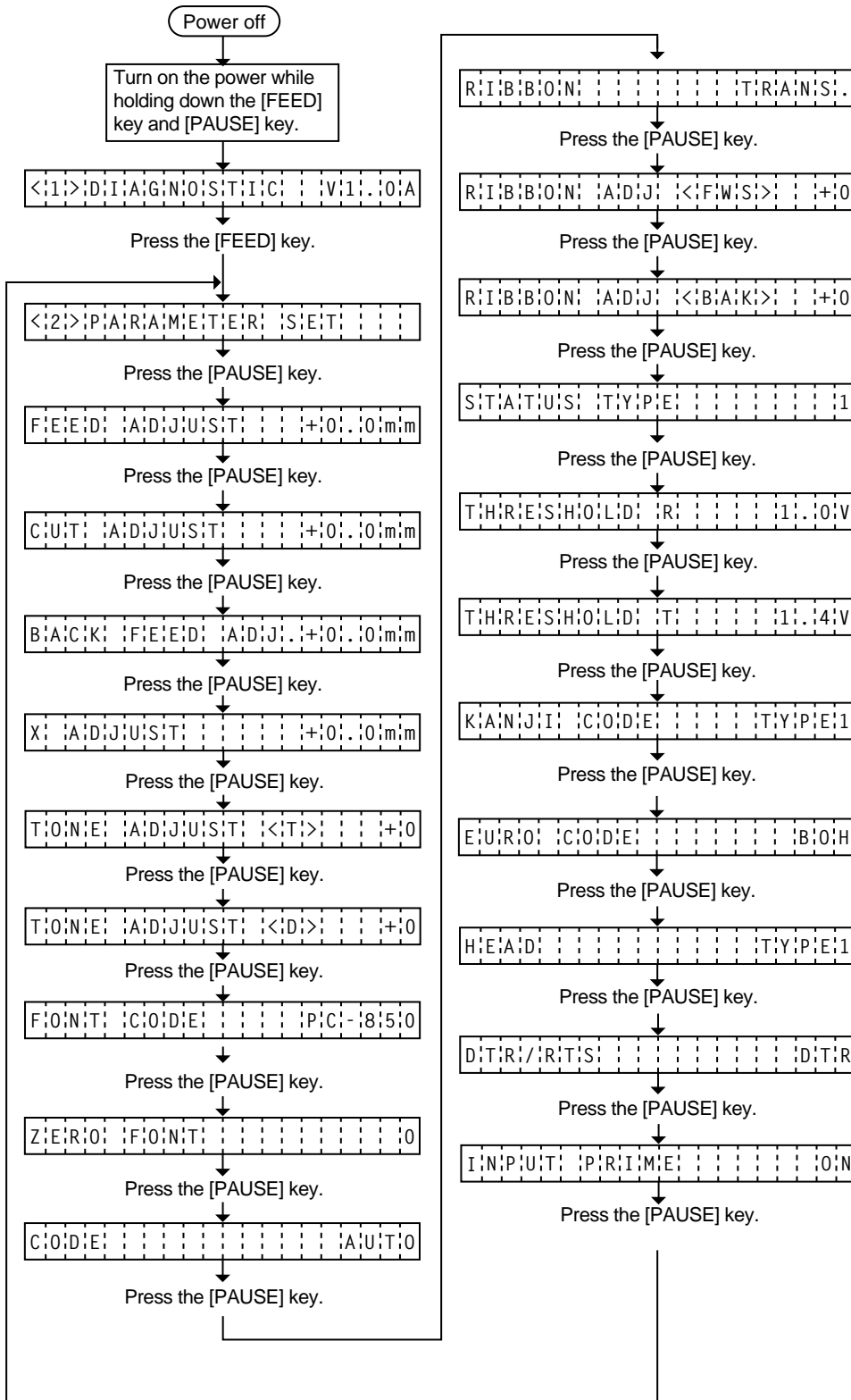
The printer automatically performs the head broken element check. The result of the head broken element check is indicated in the display.



- NOTES:**
1. If the head broken element check results in 'HEAD ERROR', the print head must be replaced after referring to Section 2.5 Replacing the Print Head.
 2. After replacing the print head, clear the maintenance counter as described in Section 6.6.1 and perform a test print in Section 6.4 TEST PRINT MODE.

6.3 PARAMETER SETTING MODE

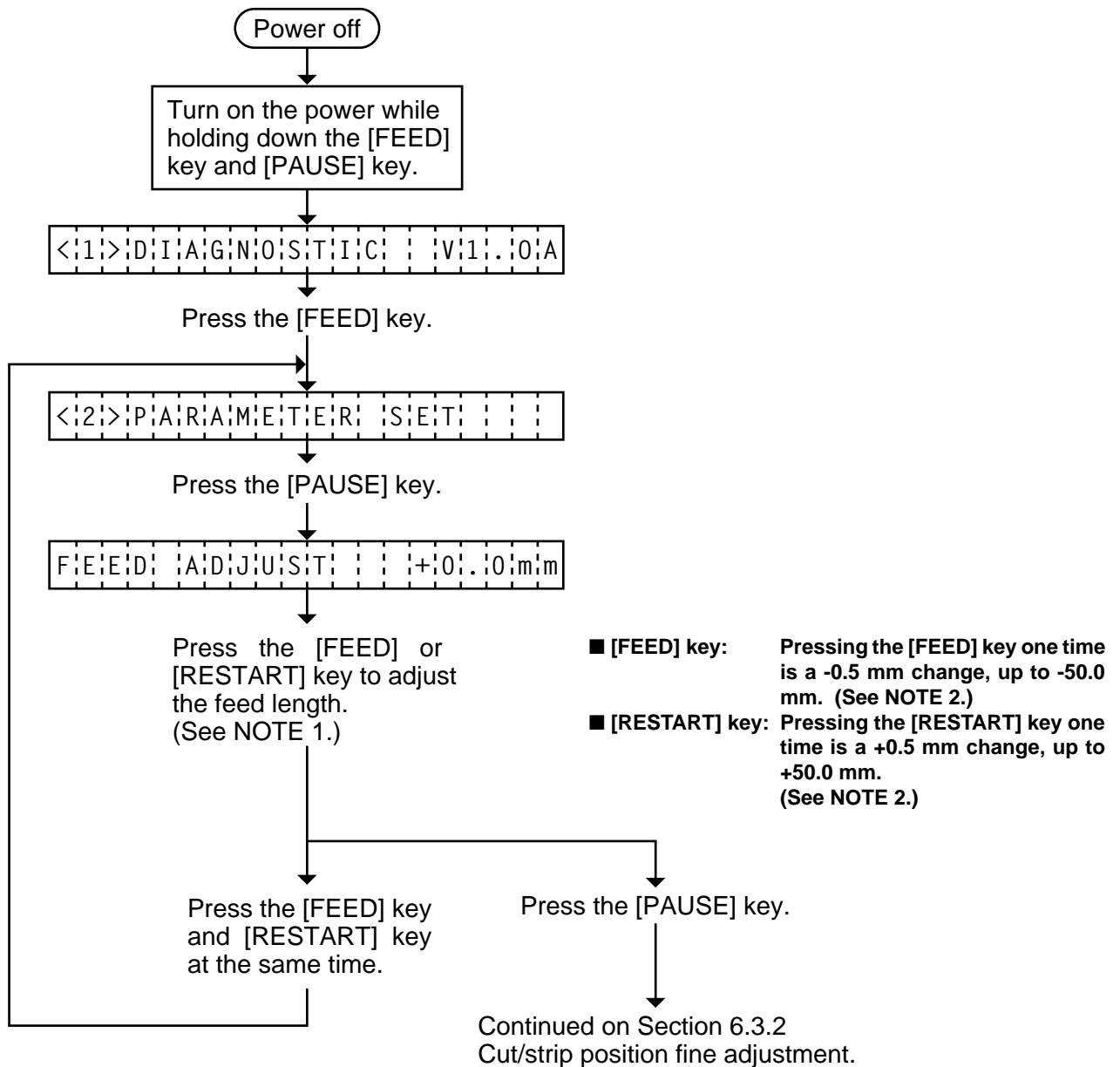
The following items are set in the parameter setting mode. The values set in this mode are printed on the sample print of the maintenance counter. Setting procedure and functions are provided below.



■ Parameter Setting Mode Table

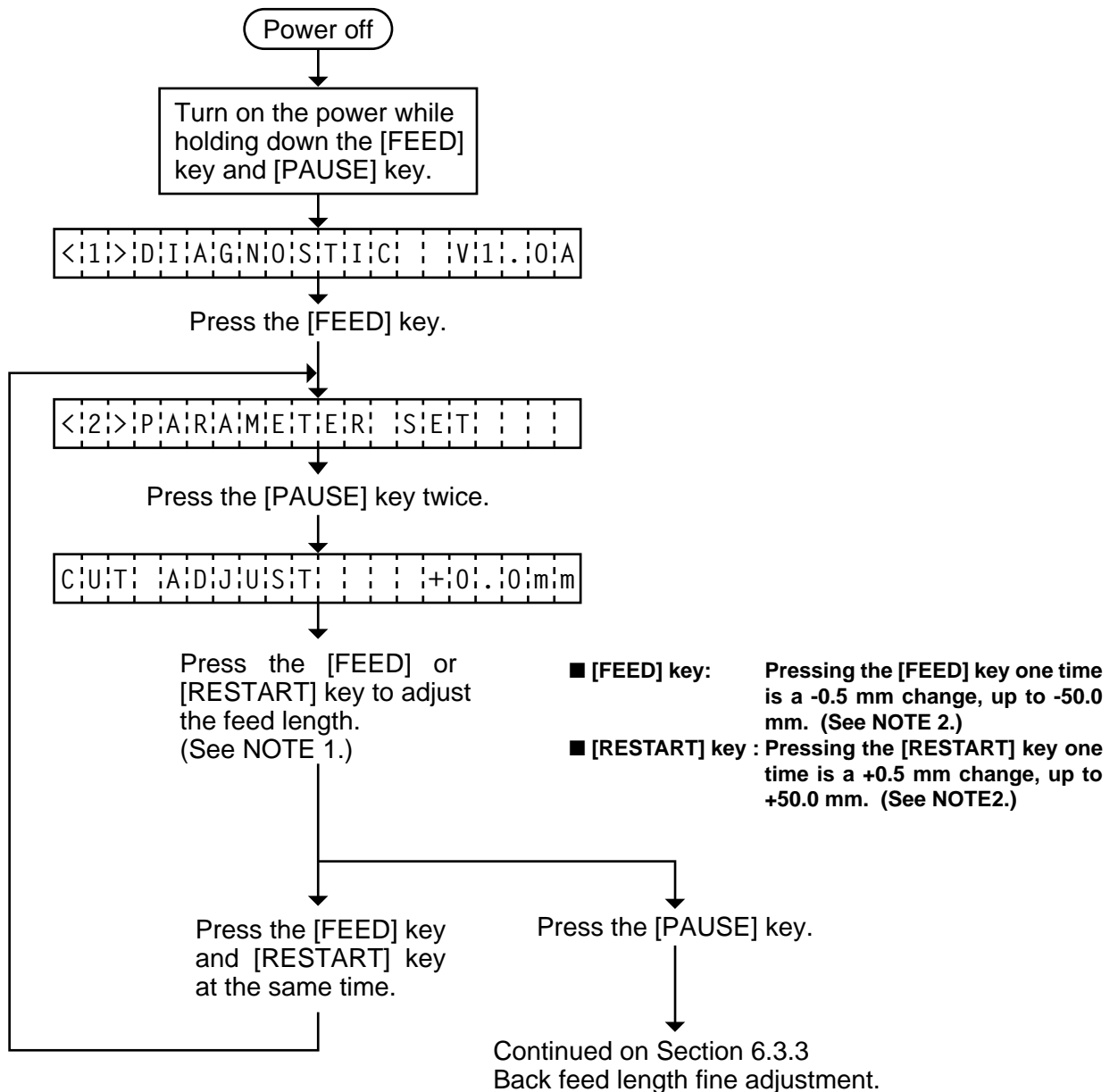
Mode Name	Function
FEED ADJUST	Using this parameter the feed length is fine adjusted.
CUT ADJUST	Using this parameter the cut position or strip position is fine adjusted.
BACK FEED ADJ.	Using this parameter the back feed length from the cut/strip position to the home position is fine adjusted.
X ADJUST	This setting is used to finely adjust print position in the X axis.
TONE ADJUST <T> (Thermal transfer printing) TONE ADJUST <D> (Thermal direct printing)	Using this parameter the print tone is fine adjusted. The longer the print pulse width, the darker the print tone becomes. The shorter, the lighter the print tone becomes.
FONT CODE	The character code either PC-850 or PC-8 is selected.
ZERO FONT	The font zero either 0 or ø is selected.
CODE	The command code out of AUTO, ESC/LF/NUL, or { ! } is selected.
RIBBON	Ribbon type either transmissive or non-transmissive is selected.
RIBBON ADJ <FWD> (Ribbon feed motor) RIBBON ADJ <BAK> (Ribbon feed motor)	Using this parameter the torque of the ribbon motors is fine adjusted.
STATUS TYPE	Whether or not the strip wait status (05H) is sent in response to the status request command from the PC is selectable.
THRESHOLD R	The threshold of the black mark sensor is manually fine adjusted.
THRESHOLD T	The threshold of the feed gap sensor is manually fine adjusted.
KANJI CODE	Kanji code either Windows code or original code is selected. (Not supported by QQ/QP models.)
EURO CODE	EURO code is selected from 20H to FFH.
HEAD	Type of the print head is selected.
DTR/RTS	Transmission Control Mode is selected from DTR or RTS.
INPUT PRIME	Reset ON/OFF when the $\overline{\text{INPUT}} \bullet \text{PRIME}$ signal on is selected.

6.3.1 Feed Length Fine Adjustment



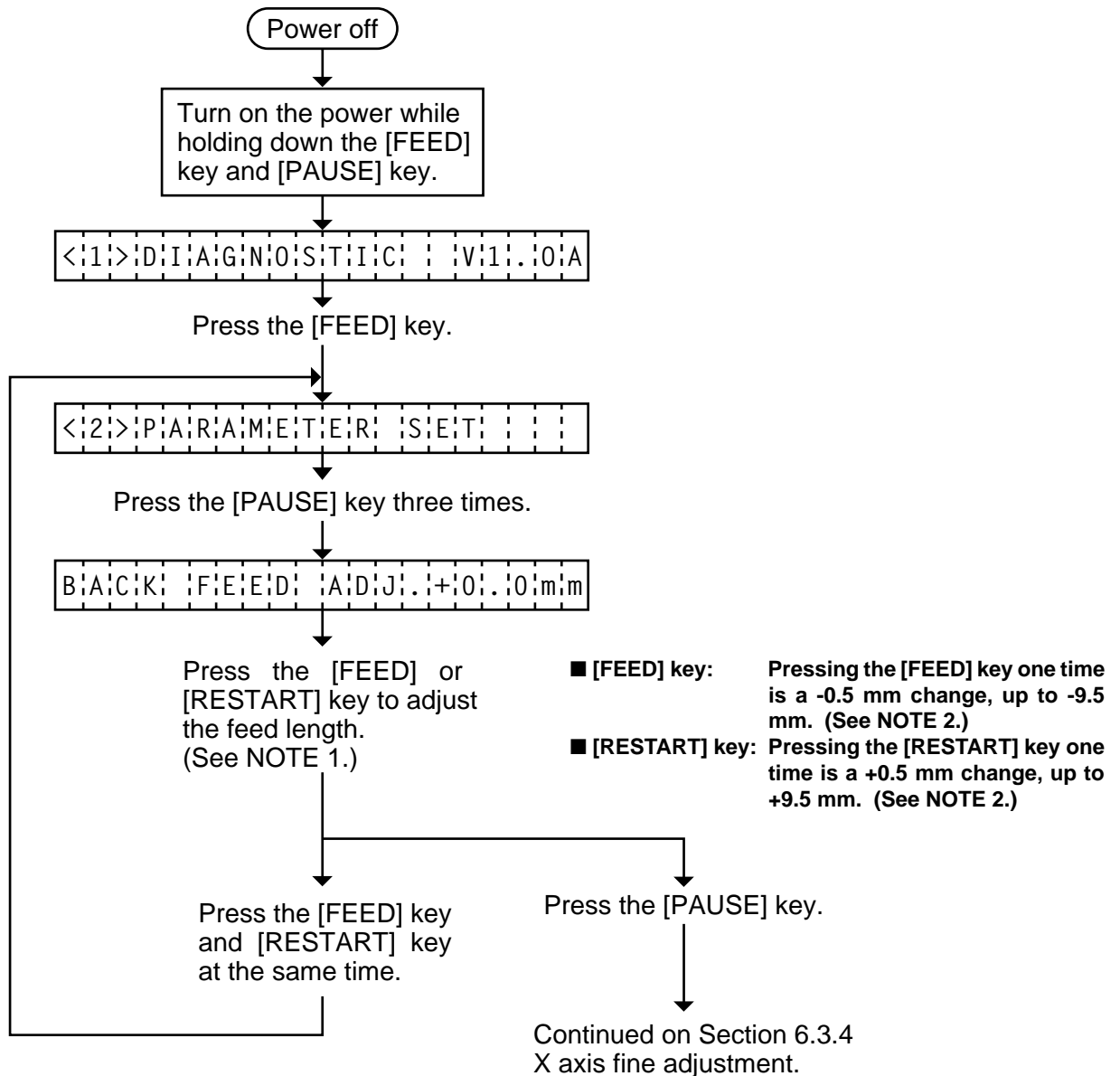
- NOTES:**
1. Holding the [FEED] key or [RESTART] key down for more than 0.5 seconds enables a fast forward.
 2. Max. fine adjustment $\pm 50.0 \text{ mm} = \text{Key fine adjustment value } (\pm 50.0 \text{ mm}) + \text{PC fine adjustment value } (\pm 50.0 \text{ mm})$
When the value reaches the maximum, the value remains unchanged even if the subsequent fine adjustment is performed.
 3. A change feed value is stored in memory by pressing the [PAUSE] key.

6.3.2 Cut/Strip Position Fine Adjustment



- NOTES:**
1. Holding the [FEED] key or [RESTART] key down for more than 0.5 seconds enables a fast forward.
 2. Max. fine adjustment ± 50.0 mm = Key fine adjustment value (± 50.0 mm) + PC fine adjustment value (± 50.0 mm)
When the value reaches the maximum, the value remains unchanged even if a subsequent fine adjustment is performed.
 3. A changed cut/strip position value is stored in memory by pressing the [PAUSE] key.
 4. When using label with length of less than 38 mm, calculate the cut position fine adjustment value using the expression provided on page 6-19.

6.3.3 Back Feed Length Fine Adjustment



- NOTES:**
1. Holding the [FEED] key or [RESTART] key down for more than 0.5 seconds enables a fast forward.
 2. Max. fine adjustment ± 9.9 mm = Key fine adjustment value (± 9.5 mm) + PC fine adjustment value (± 9.9 mm).
When the value reaches the maximum, the value remains unchanged even if the subsequent fine adjustment is performed.
 3. A changed back feed value is stored in memory by pressing the [PAUSE] key.

■ Feed Length Fine Adjustment Example

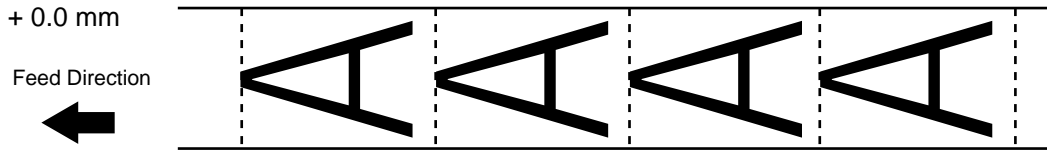


Fig. 6-4

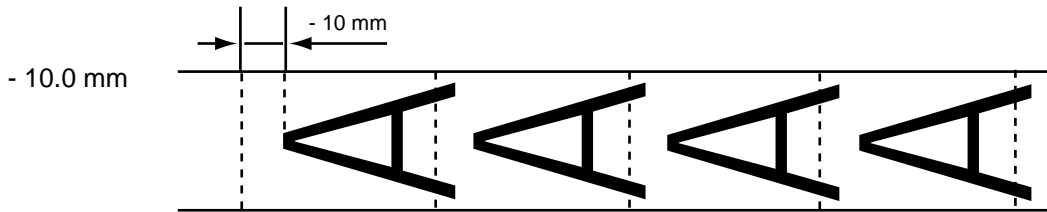


Fig. 6-5

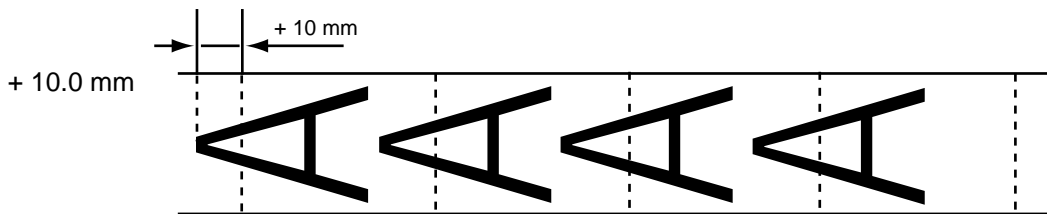


Fig. 6-6

■ Cut Position Fine Adjustment Example

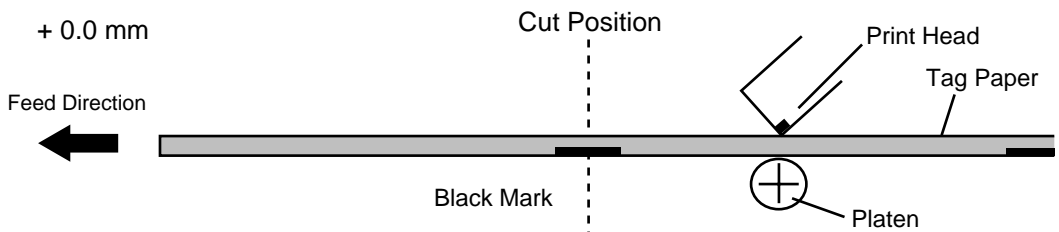


Fig. 6-7

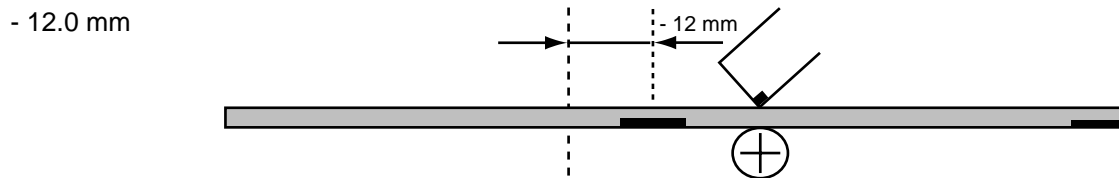


Fig. 6-8

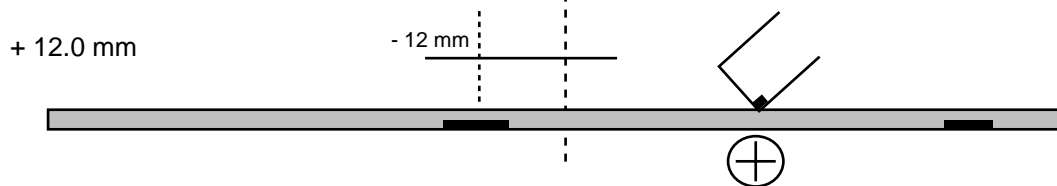


Fig. 6-9

■ When using a label with a length of less than 38 mm:

Generally the minimum label length which is available in cut mode is 38.0 mm. When using a label with a length of less than 38 mm, the edge of the label may be caught on the print head during back feed to the print start position after cutting the label gap, causing a improper print start position.

In this case set the cut position fine adjustment value after calculating the value using the following formula so that the unprinted label returns to the correct print start position.

However, use of this method will leave one or two printed label(s) between the print head and the cutter. Feed or print the label(s) to remove them.

(a) Formula for cut position the adjustment value

Cut position fine adjustment value

= (the number of labels left between the print head and the cutter) x (span of label)

= (32.8 mm/label length) x (span of label)

* Omit the decimals of the value obtained by dividing 32.8 mm by the label length for one unit.

(example) Span of label : 30.0 mm, Label length : 24.0 mm

$(32.8 \text{ mm}/30.0 \text{ mm}) \times 30.0 \text{ mm} = 1 \times 30.0 \text{ mm} = +30.0 \text{ mm}$

(b) Example

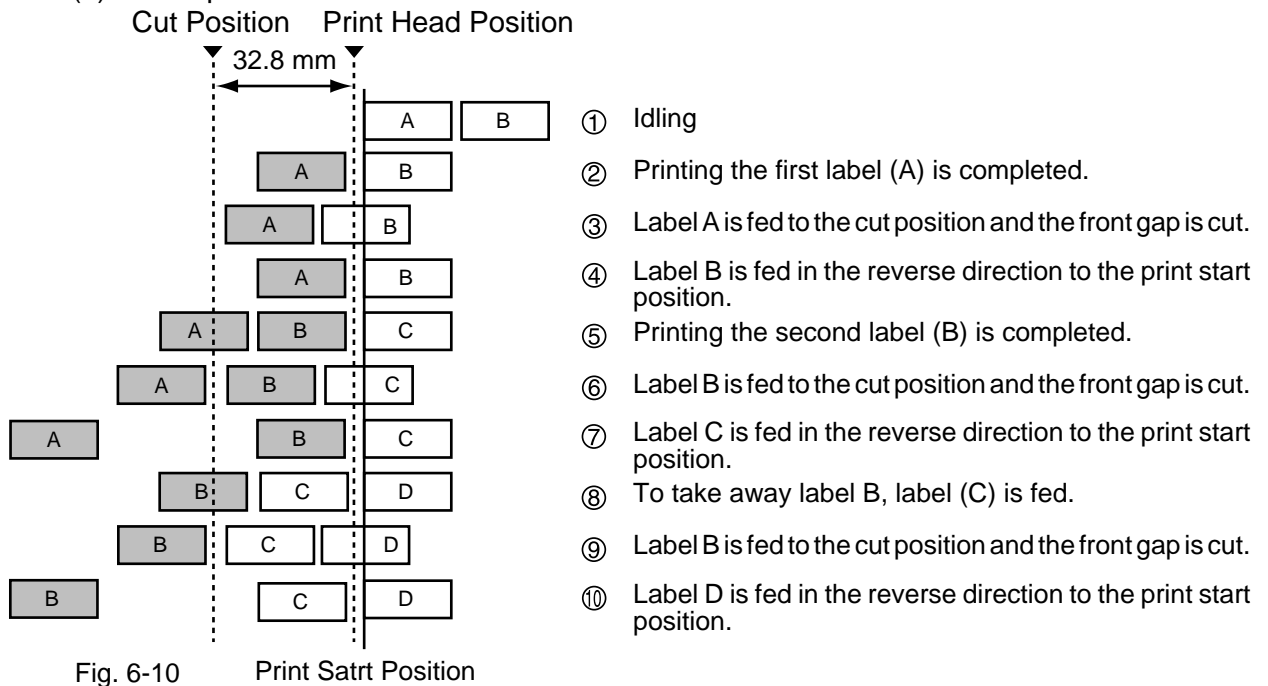


Fig. 6-10 Print Start Position

■ Strip Position Fine Adjustment Example

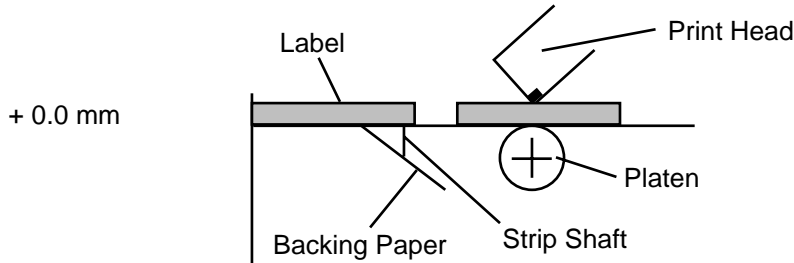


Fig. 6-11

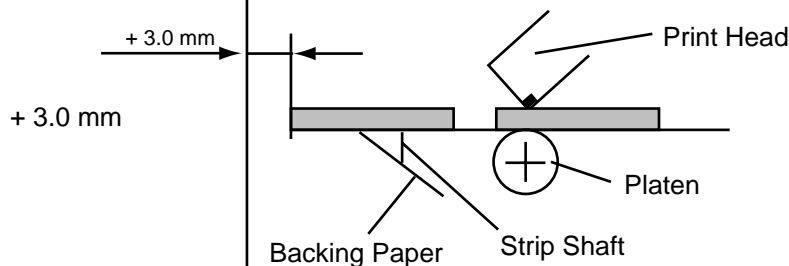


Fig. 6-12

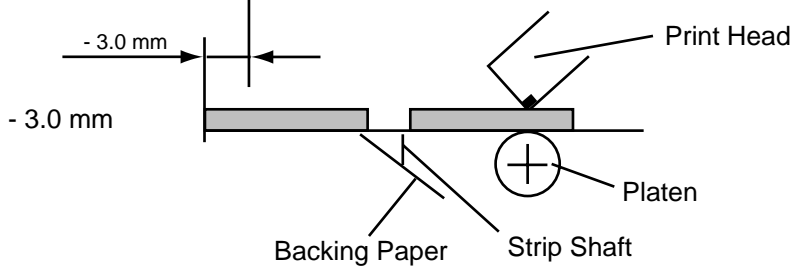


Fig. 6-13

NOTE: The print stop position when printing the label in strip mode varies according to label length for the strip mode printing stops so that the edge of the strip shaft is 4 mm from the middle of the gap. This is because the gap length is programmed as 2mm. When the gap length is 5 mm or more, the effective print length should be set to the value obtained by subtracting 2 mm from the label pitch, that is, set the gap length to 2 mm. If the print format hangs over the gap as a result, correct the print start position. If the print stop position is improper, refer to Section 6.3.2 and make a fine adjustment.

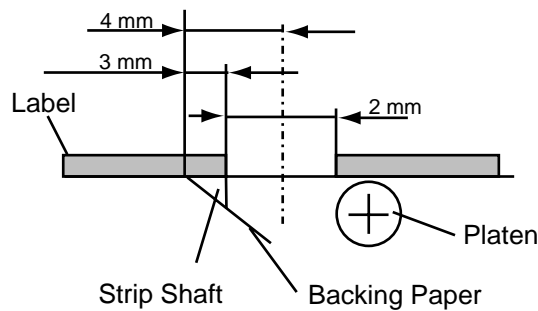


Fig. 6-14

■ Back Feed Length Fine Adjustment Example

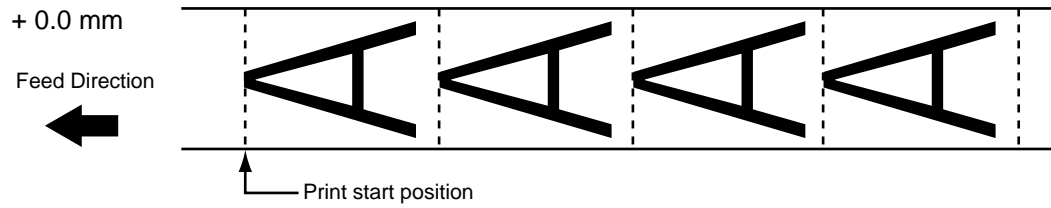


Fig. 6-15

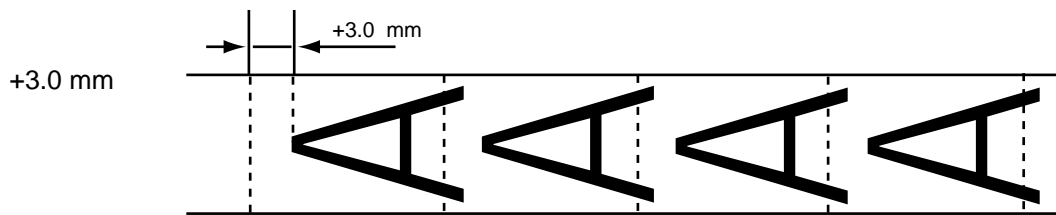


Fig. 6-16

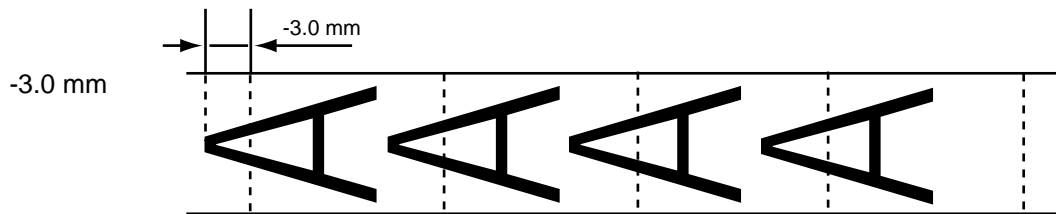
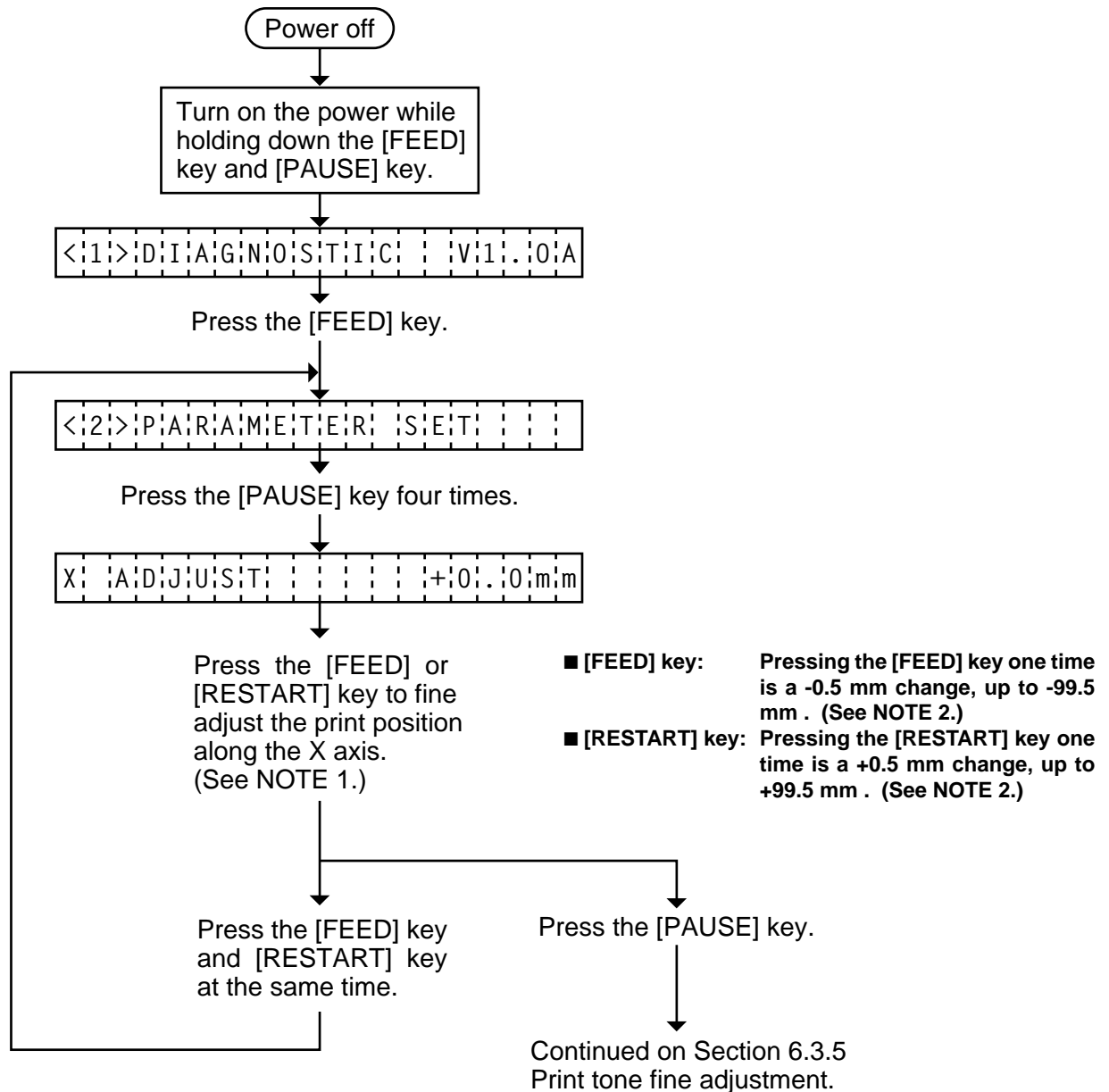


Fig. 6-17

6.3.4 X Axis Fine Adjustment



- NOTES:**
1. Holding the [FEED] key or [RESTART] key down for more than 0.5 seconds enables a fast forward.
 2. Max fine adjustment ± 99.5 mm = X axis value
When the value reaches the maximum, the value remains unchanged even if the subsequent fine adjustment is performed.
 3. A changed X axis is stored in memory by pressing the [PAUSE] key.

■ X axis Fine Adjustment Example

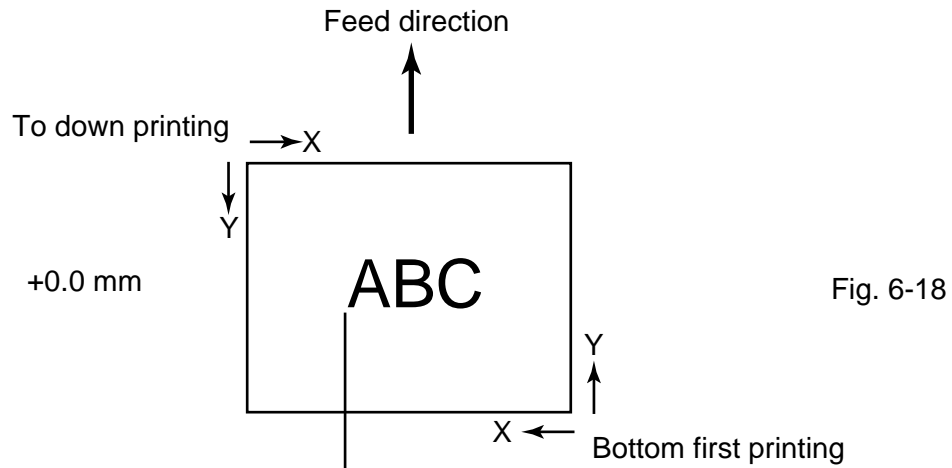


Fig. 6-18

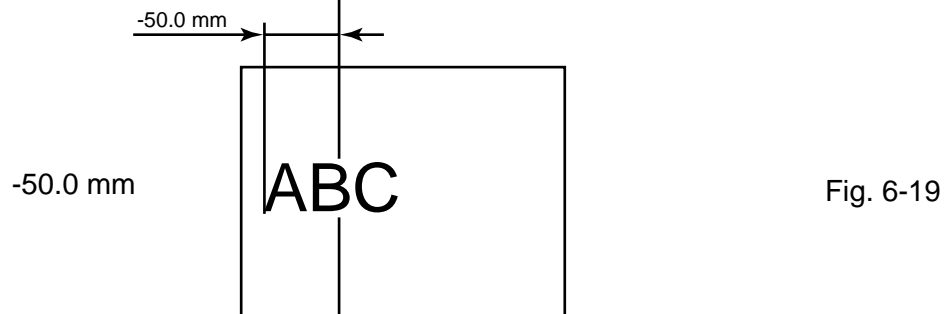


Fig. 6-19

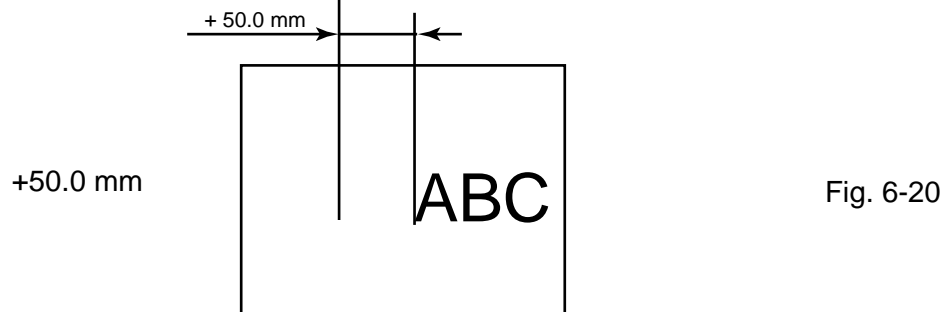
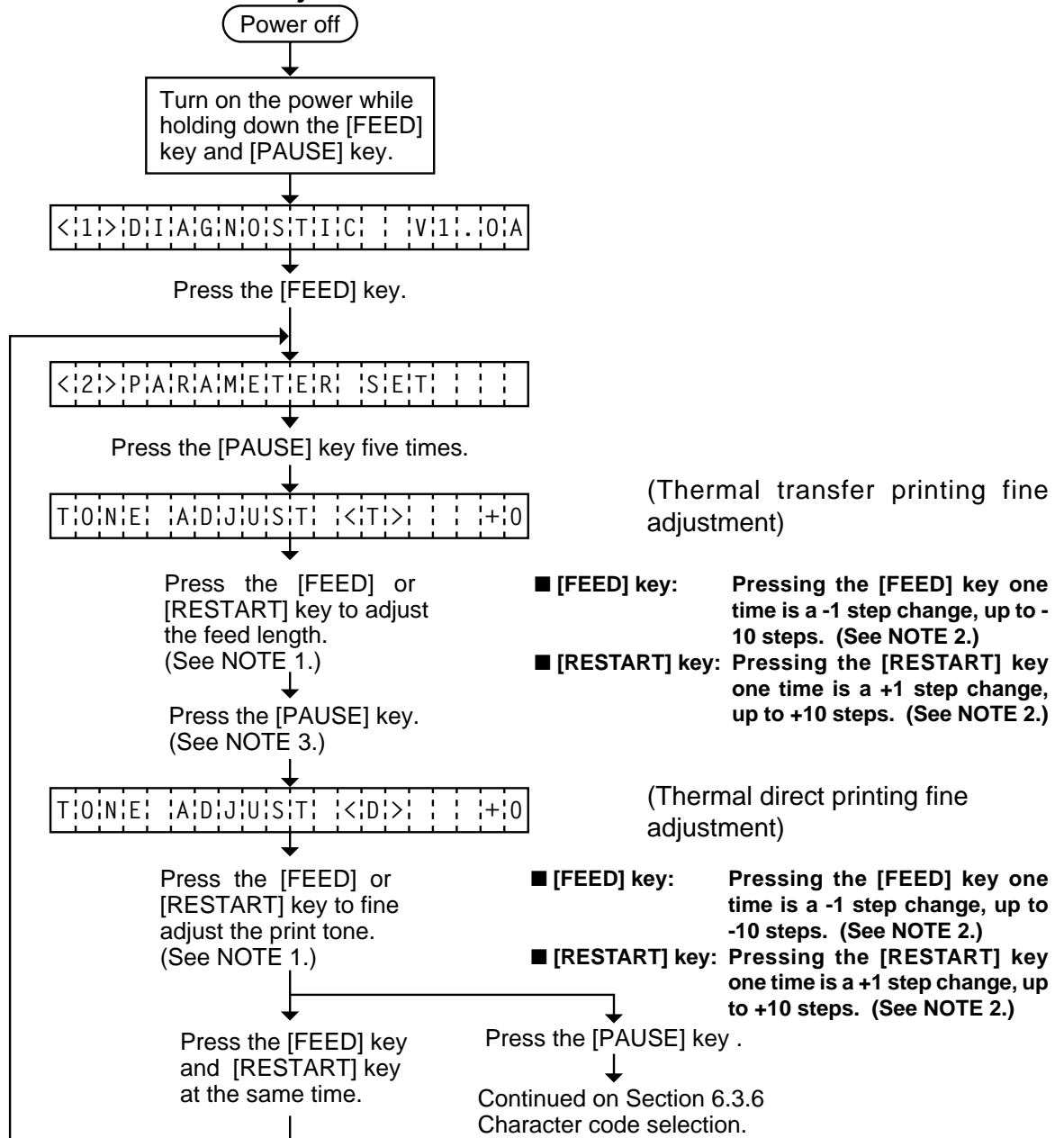


Fig. 6-20

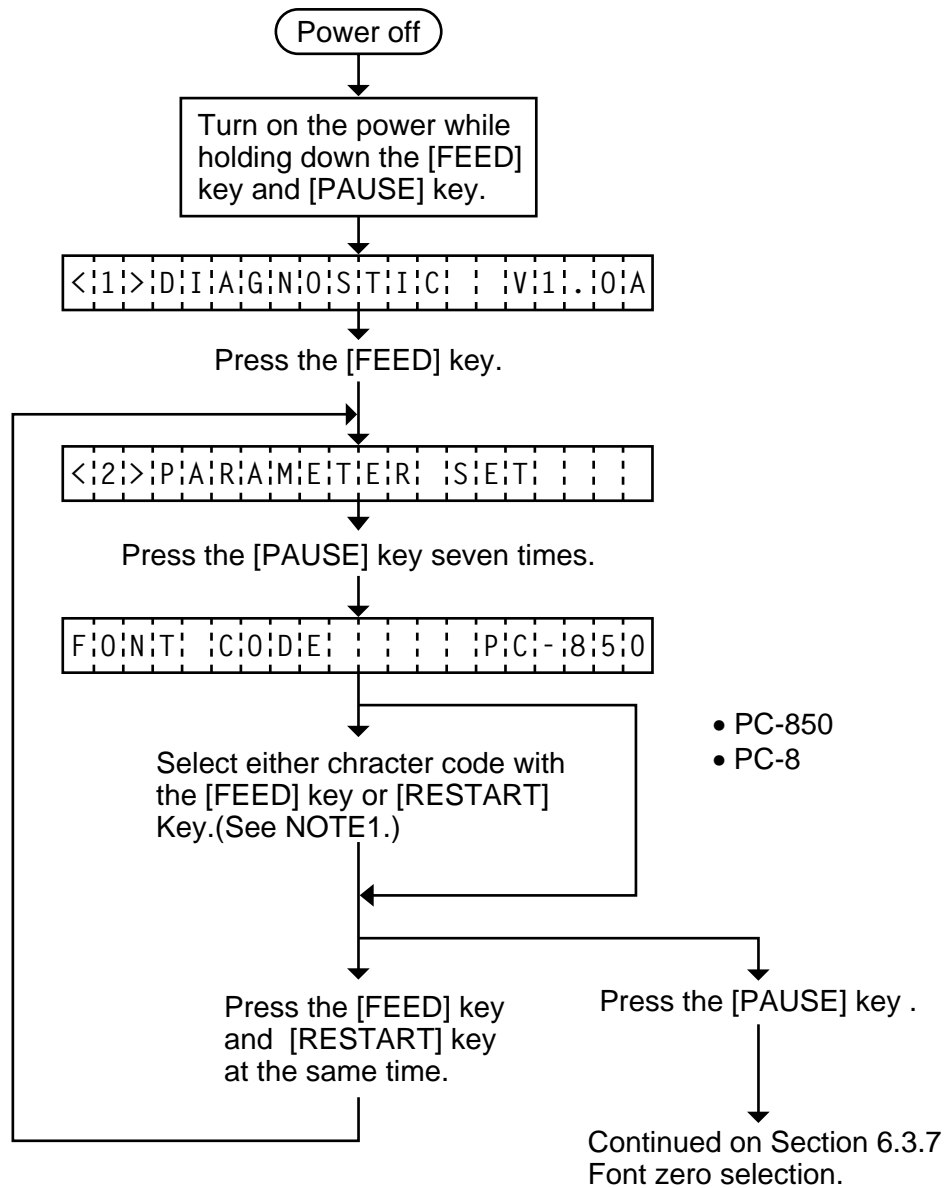
- NOTES:**
4. The X axis fine adjustment is performed to fine adjust the X axis of the drawing in the left or right direction.
 5. Adjust the X axis in the effective print range. (After the value reaches the coordinate "0", the value remains unchanged even if the subsequent fine adjustment is performed in the negative direction.)
 6. X axis fine adjustment cannot be used in self test mode or test printing.

6.3.5 Print Tone Fine Adjustment



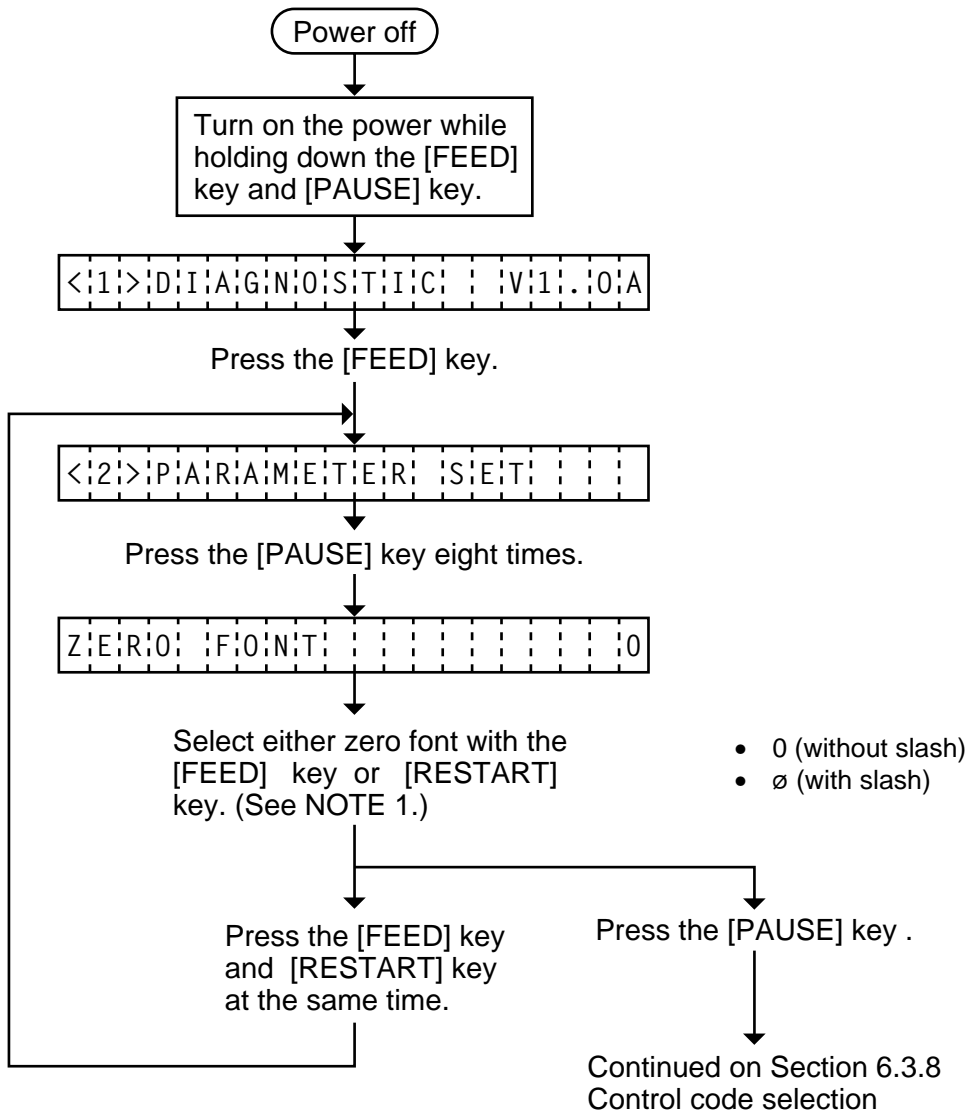
- NOTES:**
- 1 Holding the [FEED] key or [RESTART] key down for more than 0.5 seconds enables a fast forward.
 - 2 A changed print tone value is stored in memory by pressing the [PAUSE] key.
 - 3 Fine adjustment value equals to the sum of the values set by the PC command and system mode (key operation) and each max. value is ± 10 step. However, the upper limit of the adjustment value is decided according to the print speed to protect the print head. If the set value exceeds the following upper limit, it is automatically corrected to the proper value.
Upper Limit: 3"/sec.: +10 step, 4"/sec.: +5 step, 8"/sec.: +2 step.

6.3.6 Character Code Selection



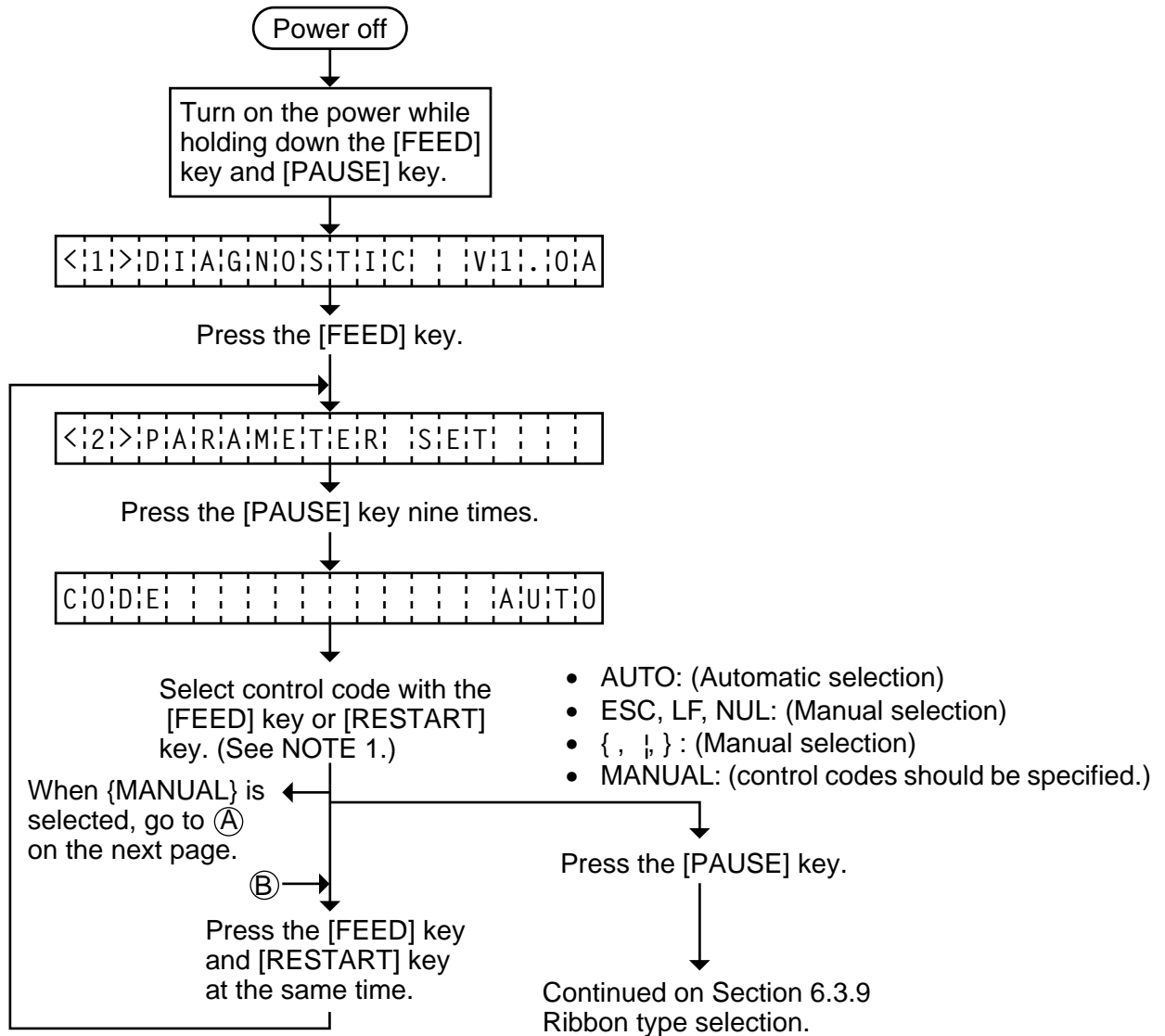
- NOTES:**
1. Holding the [FEED] key or [RESTART] key down for more than 0.5 seconds enables a fast forward.
 2. A changed font code is stored in memory by pressing the [PAUSE] key.

6.3.7 Font Zero Selection

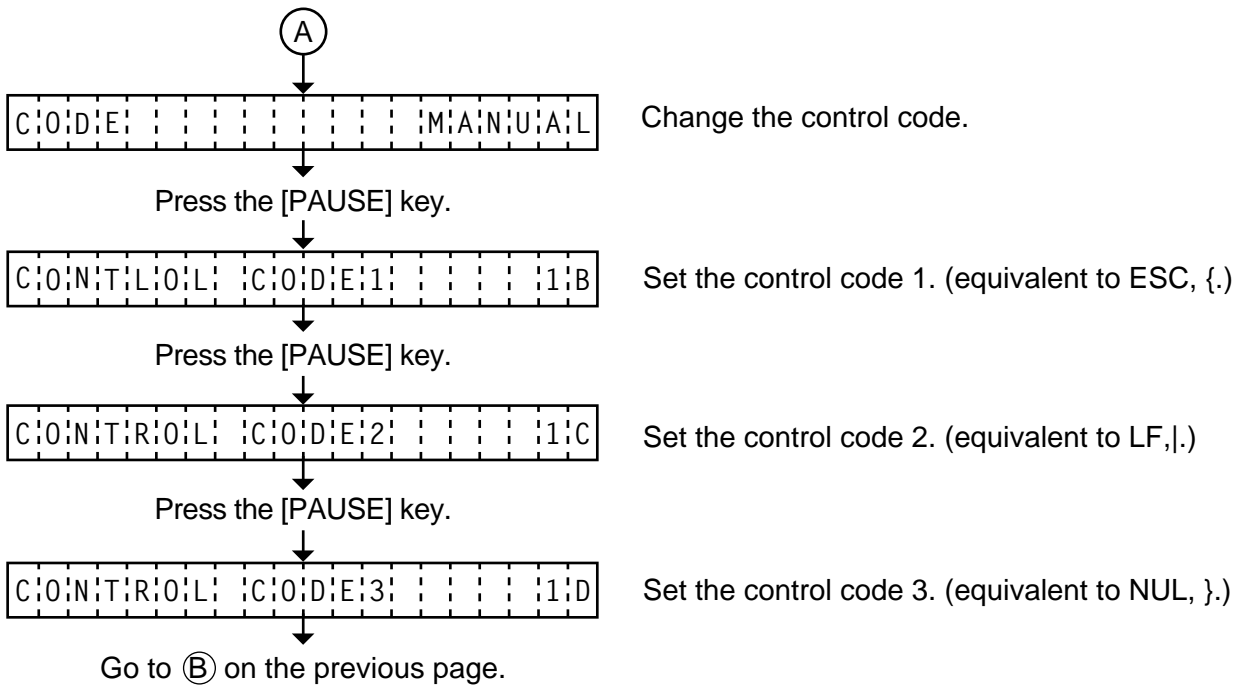


- NOTES:**
1. Holding the [FEED] key or [RESTART] key down for more than 0.5 seconds enables a fast forward.
 2. A changed zero font is stored in memory by pressing the [PAUSE] key.

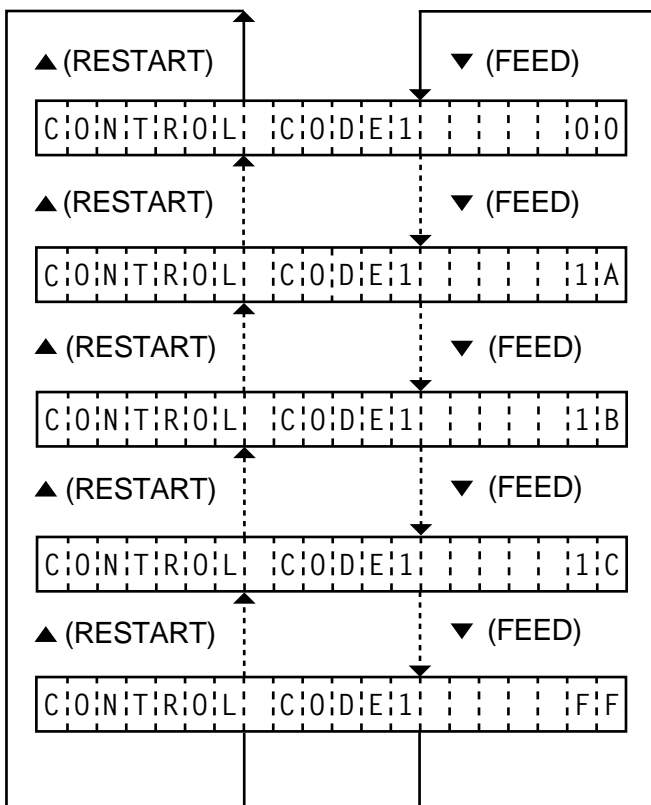
6.3.8 Control Code Selection



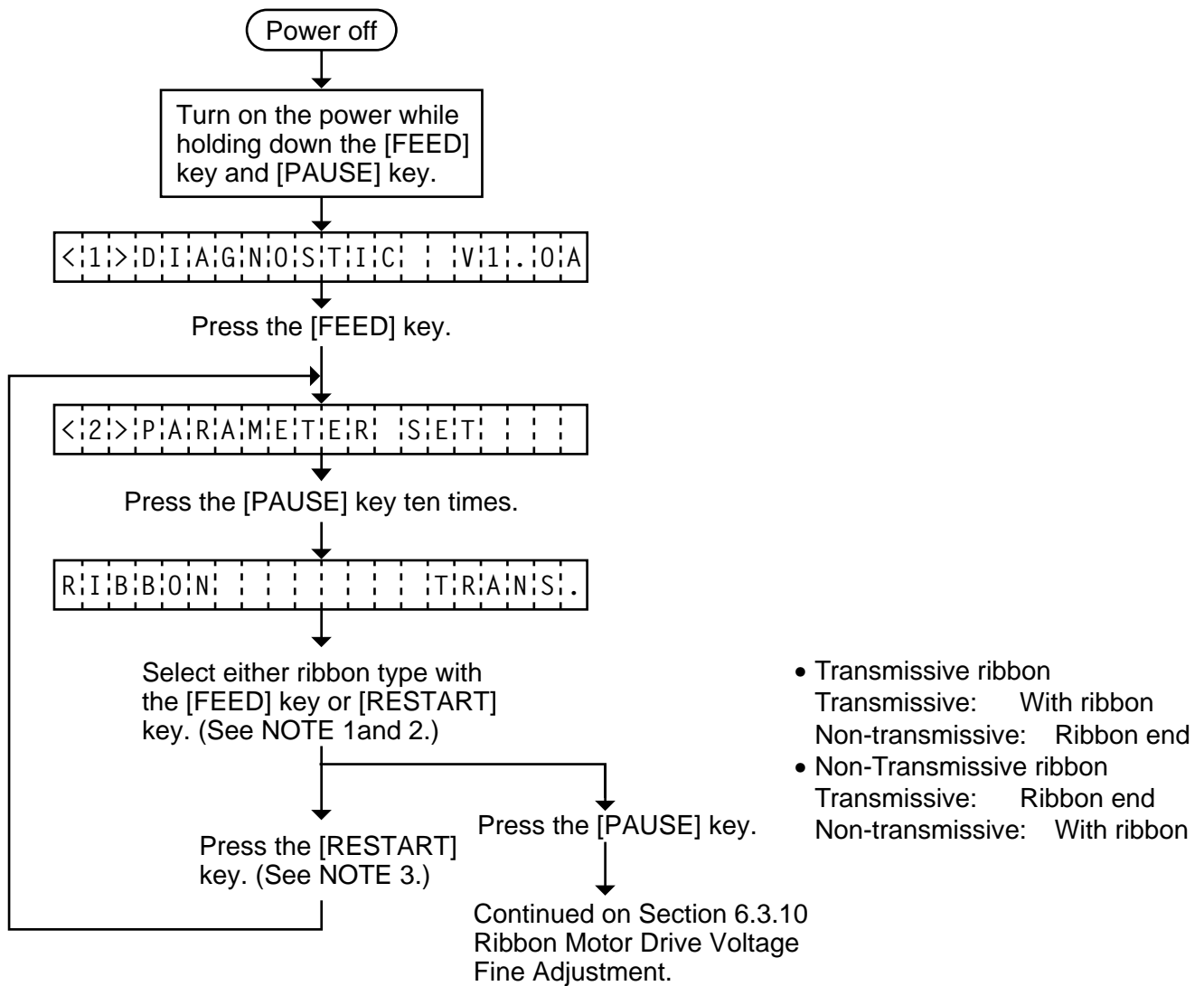
- NOTES:**
1. Holding the [FEED] key or [RESTART] key down for more than 0.5 seconds enables a fast forward.
 2. A changed control code is stored in memory by pressing the [PAUSE] key.
 3. When "AUTO", "ESC, LF, NUL", or "{, /}" is selected, be sure to select the Non-transmissive ribbon in the ribbon type selection operation.
 4. When "MANUAL" is selected, be sure to specify all the control codes 1 to 3. Failure to do this disables selection of "MANUAL".



NOTES: Refer to the following for the selection of the control codes 1 to 3.



6.3.9 Ribbon Type Selection



- NOTES:**
1. Holding the [FEED] key or [RESTART] key down for more than 0.5 seconds enables a fast forward.
 2. Non-transmissive (NON TRANS.) ribbon cannot be used so the ribbon type must be set to transmissive (TRANS.) ribbon.
 3. A change ribbon type is stored in memory by pressing the [PAUSE] key.

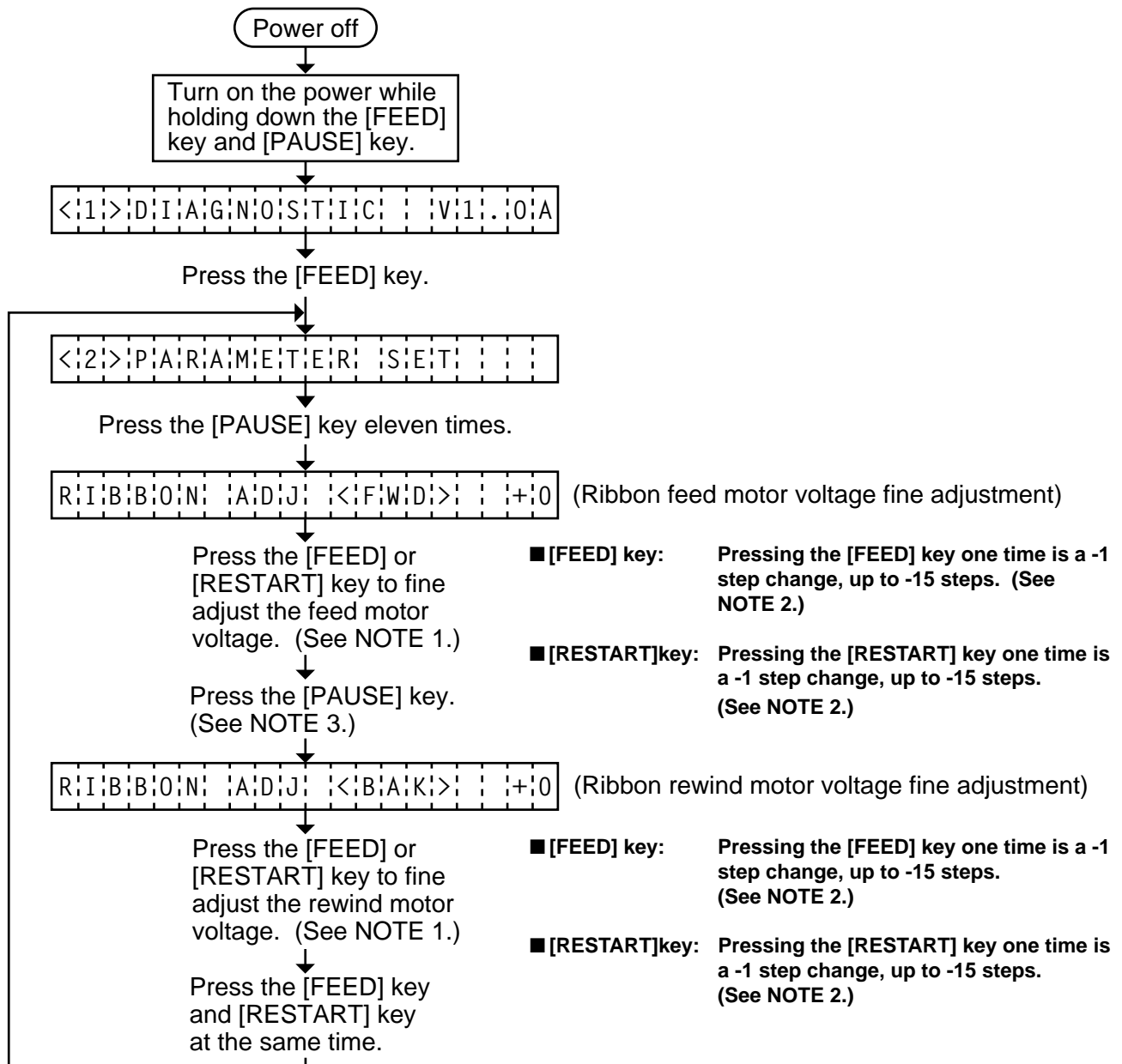
6.3.10 Ribbon Motor Drive Voltage Fine Adjustment

As a countermeasure for ribbon wrinkles which occur depending on media specification, the drive voltage for the ribbon feed motor and the ribbon rewind motor has become adjustable by parameter setting in system mode.

- (1) Ribbon feed motor drive voltage fine adjustment
 Since the proper ribbon feed motor drive voltage differs depending on ribbon width and print format, fine adjust the voltage gradually until the ribbon does not wrinkle.
- (2) Ribbon rewind motor drive voltage fine adjustment
 The ribbon wrinkle problem will be solved by adjusting the ribbon feed motor voltage. If the ribbon slacks after performing Step (1), adjust the ribbon rewind motor drive voltage in the same way as Step (1).

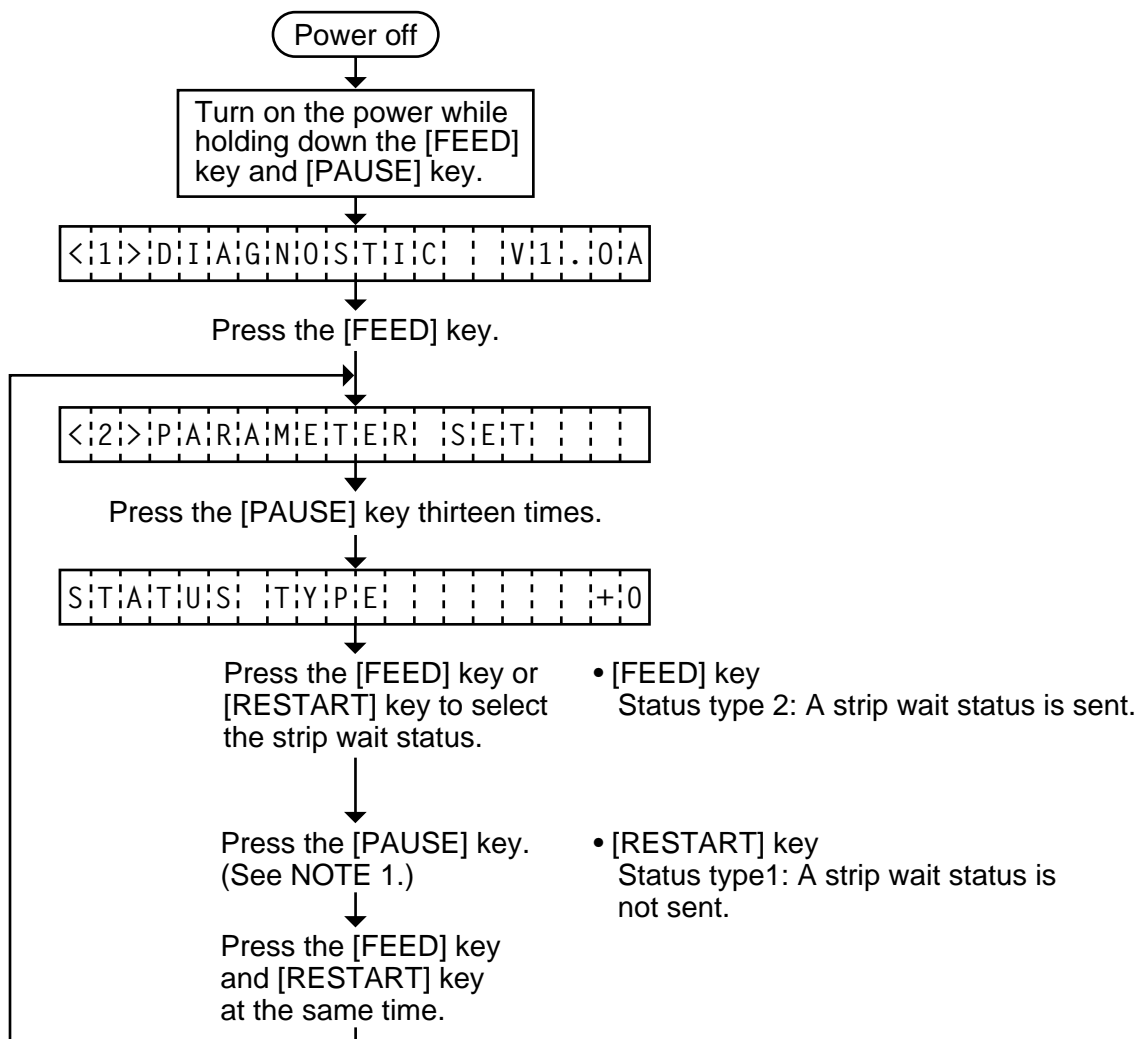
NOTES:

1. Too much fine adjustment for the ribbon feed motor may cause slack in the ribbon and dot missing.
2. Too much fine adjustment for the ribbon rewind motor may cause ribbon wrinkles.



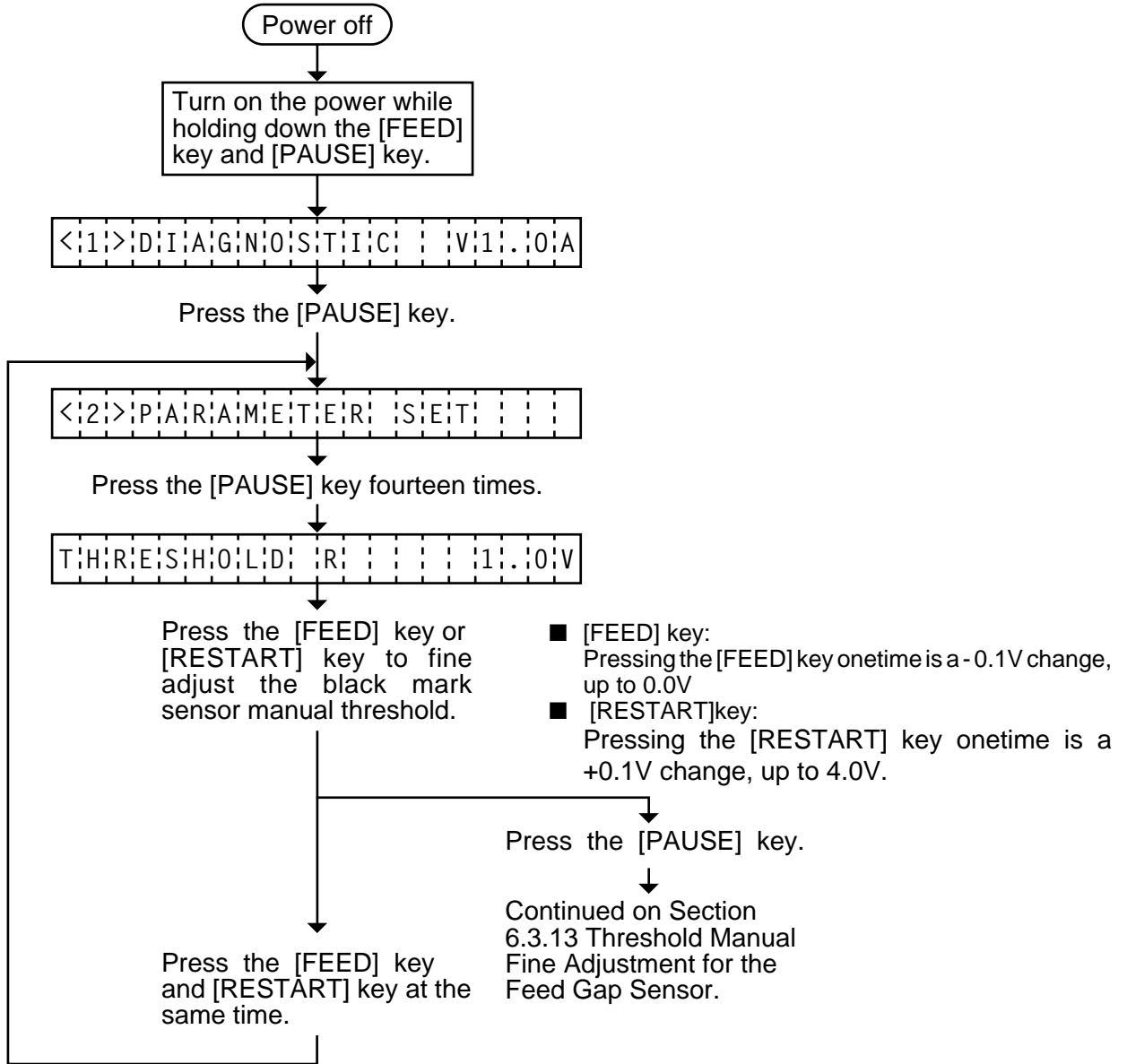
- NOTES:**
1. Holding the [FEED] key or [RESTART] key down for more than 0.5 seconds enables a fast forward.
 2. Max. fine adjustment -15 steps = Key fine adjustment value (-15 steps) + PC fine adjustment value (-15 steps)
When the value reaches the maximum, the value remains unchanged even if the subsequent fine adjustment is performed.
 3. A changed motor voltage value is stored in memory by pressing the [PAUSE] key.
 4. One step corresponds to 5% of the standard voltage and up to 75% of the voltage can be decreased.

6.3.11 Strip Wait Status Setting



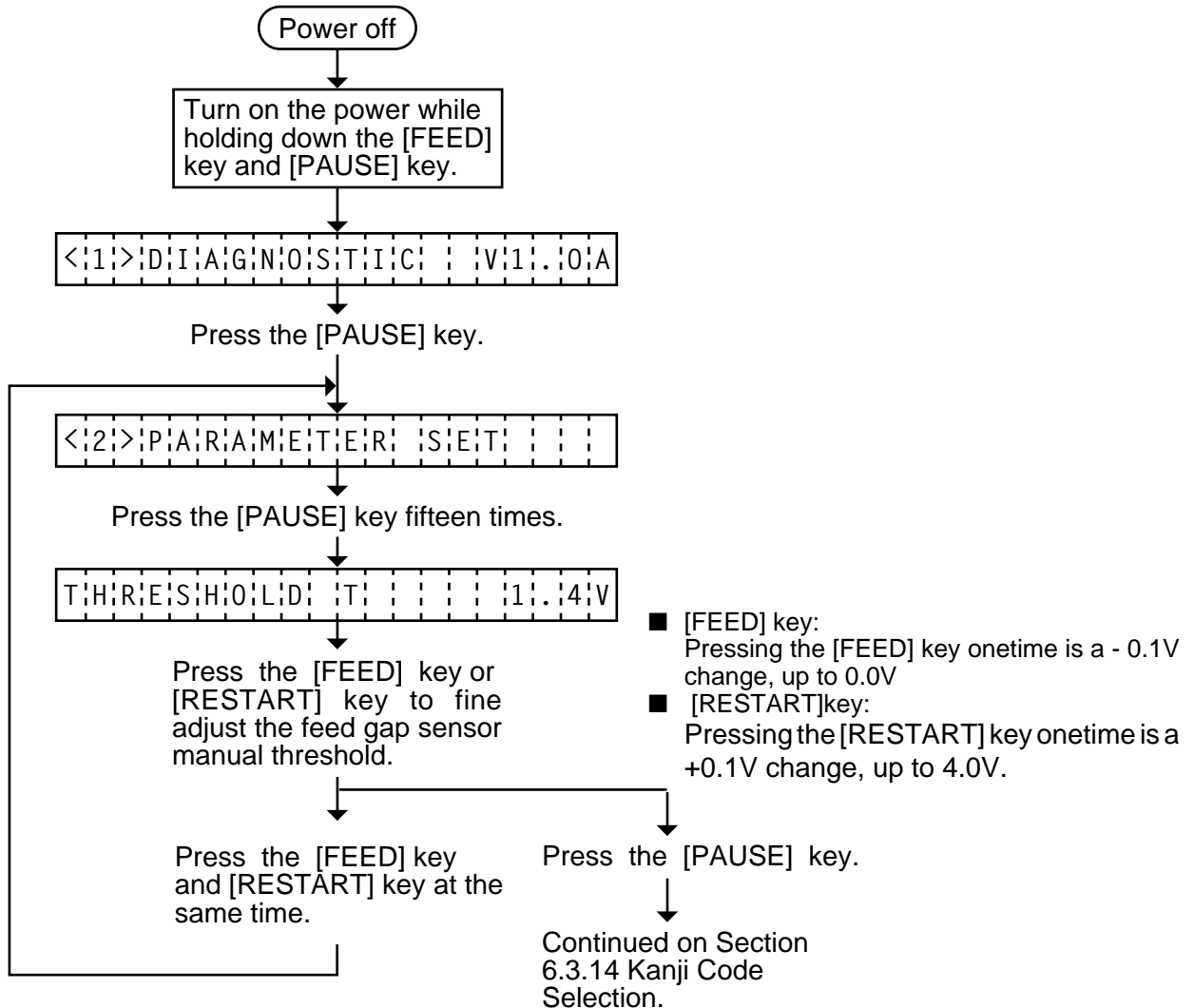
- NOTE:** When the status type 1 is selected, the printer will send (00H) in response to the status request command sent from the PC while a label stays at the strip sensor (when idling, after feeding, or all printing finished).
When the status type 2 is selected, the printer will send (05H) in response to the status request command sent from the PC while a label stays at the strip sensor (when idling, after feeding, or all printing finished).
If the status request command is sent during printing, the printer will always send (05H) regardless of the setting.

6.3.12 Threshold Manual Fine Adjustment for the Black Mark Sensor



- NOTE:**
1. Holding the [FEED] key or [RESTART] key down for more than 0.5 seconds enables a fast forward.
 2. A changed threshold fine adjustment value is stored in memory by pressing the [PAUSE] key.
 3. The above operations do not require any more threshold setting.

6.3.13 Threshold Manual Fine Adjustment for the Feed Gap Sensor



- NOTES:**
1. Holding the [FEED] key or [RESTART] key down for more than 0.5 seconds enables a fast forward.
 2. A changed threshold fine adjustment value is stored in memory by pressing the [PAUSE] key.
 3. The above operations do not require any more threshold setting.

■ How To Calculate Theshold Fine Adjustment Value

If the following cases occurred, threshold value for the paper sensors should be fine adjusted after referring to the next page.

Case 1:

When using tag paper, the black mark and the print area are distinguished from each other by the 1.5V or more difference of sensor output voltage. If a low-sensitive sensor is installed in the printer, it may not detect 1.5V or more difference between the black mark and the print area. This may cause the printer to feed over one and a half tags, and then stop with "PAPER JAM" displayed.

Case 2:

The presence and lack of label are distinguished from each other by the reflective sensor voltage. When the voltage is more than 1.5V, it is regarded as the presence of paper. And less than 1.5V is regarded as the paper end. If a low-sensitive-sensor is used, 1.5V or more may not be detected at the backing paper since the reflectance of backing paper is low. In such case, more than 5mm-long gap is regarded as the no paper. And trying to print or feed the label when the sensor stops at the gap results in a NO PAPER error. This problem tends to occur when using labels with thin backing paper.

Case 3:

If the reflective sensor's output voltage when detecting no paper is 1.5V or more, the sensor does not recognize the actual paper end during printing. Accordingly, the printer continues to print despite of the paper end. This problem may occur on printers of which the resistors on the CPU PCB have been changed according to the Technical Information #SVM7A1010/1 (issued on April 16, 1997).

Case 4:

When using perforated fanfold labels, the transmissive sensor mistakes the perforation on the gap for a print area, resulting in a PAPER JAM error.

Case 5:

When using such a particular label stock that a black mark is printed on every two or three gaps, the sensor detects three different voltages at the label, unmarked gap and black mark, respectively. The sensor cannot distinguish the unmarked gap from the black mark, so the printer stops with displaying "PAPER JAM".

NOTE: The following operation cannot be performed unless the sensor type is changed by the issue command or feed command.

- (1) Using the sensor adjustment in Diag. mode, measure the sensor voltage at the following four points.

Label: Print area Backing paper

Tag paper: Print area Black mark

Example:

[R E F L E C T I V E]	2.8 V
-------------------------	-------

[T R A N S M I S S I V E]	4.1 V
-----------------------------	-------

- (2) Using the following formula, calculate the threshold from the measured voltage:

When using labels (transmissive sensor):

Threshold = (Max. voltage at the backing paper) - (Voltage at the print area) - 0.7V

e.g.) $2.0V = 4.2V - 1.5V - 0.7V$

When using perforated labels (transmissive sensor):

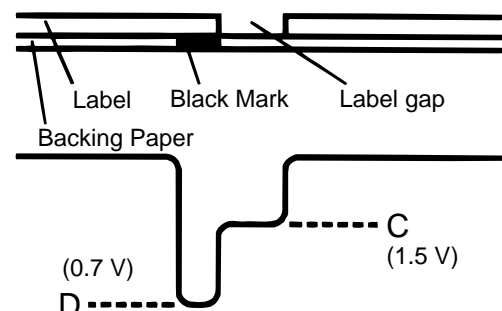
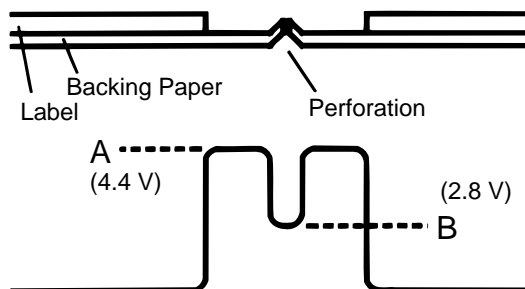
$$\text{Threshold} = \frac{\text{(A) (Max. voltage at the backing paper)} - \text{(B) (Min. voltage at the backing paper)}}{2} - \frac{\text{(A) (Max. voltage at the backing paper)}}{2}$$

e.g.) $2.2V = 4.4V - (2.8V/2) - (1.6V/2)$

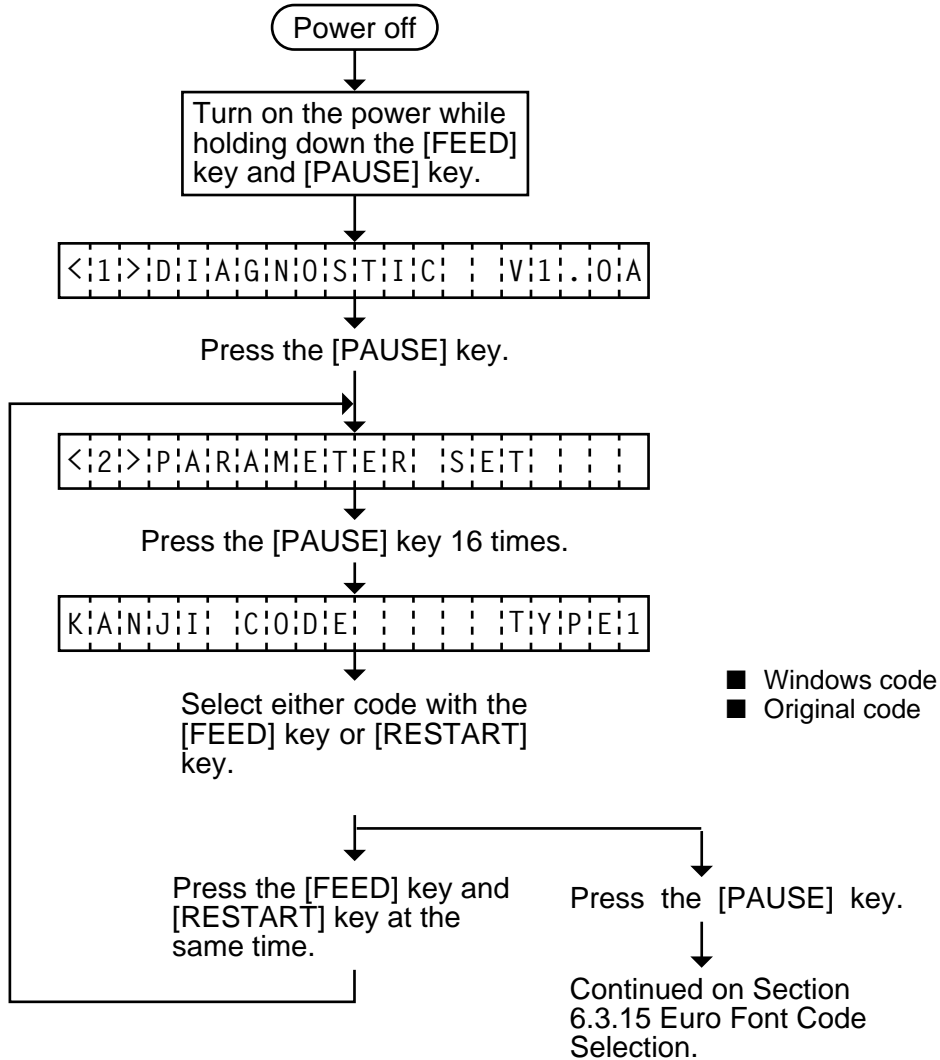
When using labels with black marks (reflective sensor):

$$\text{Threshold} = \frac{\text{(C) (Min. voltage at the print area)} - \text{(D) (Min. voltage at the black mark)}}{2}$$

e.g.) $0.4V = (1.5V - 0.7V)/2$

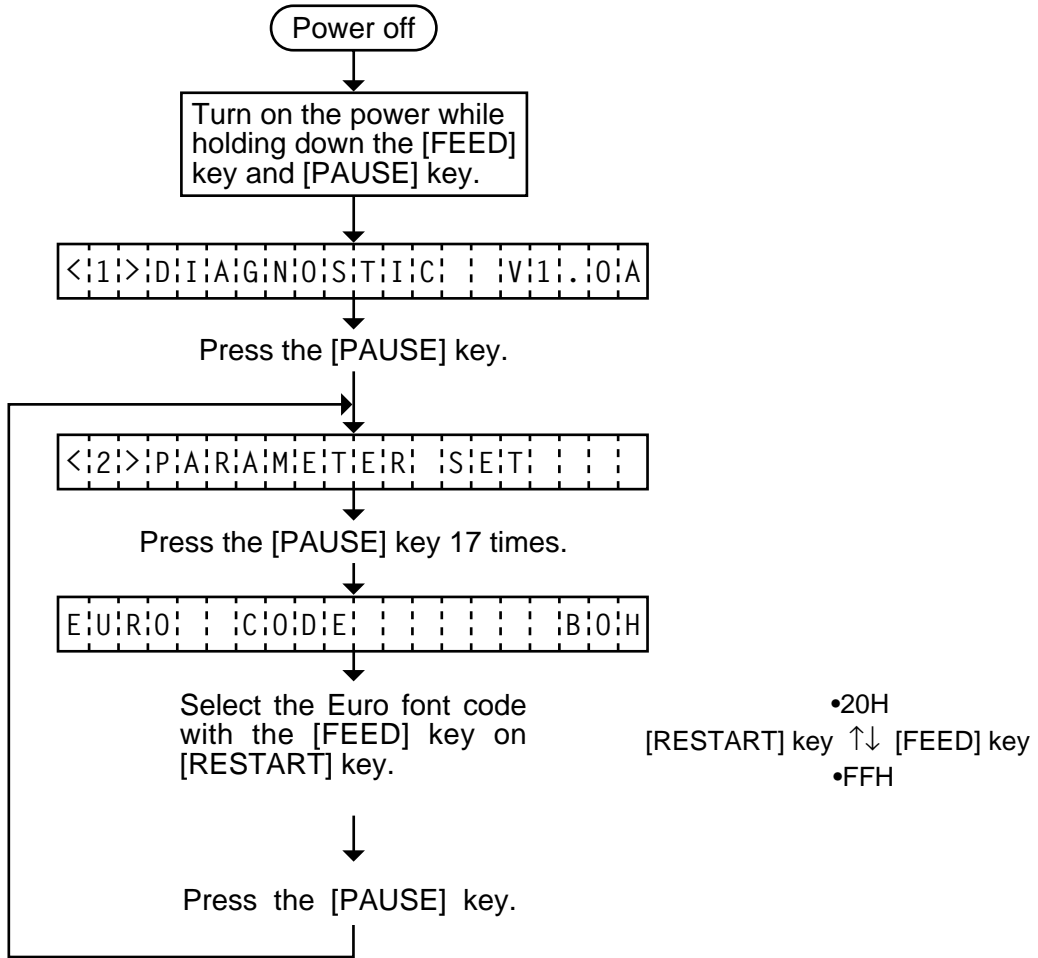


6.3.14 Kanji Code Selection



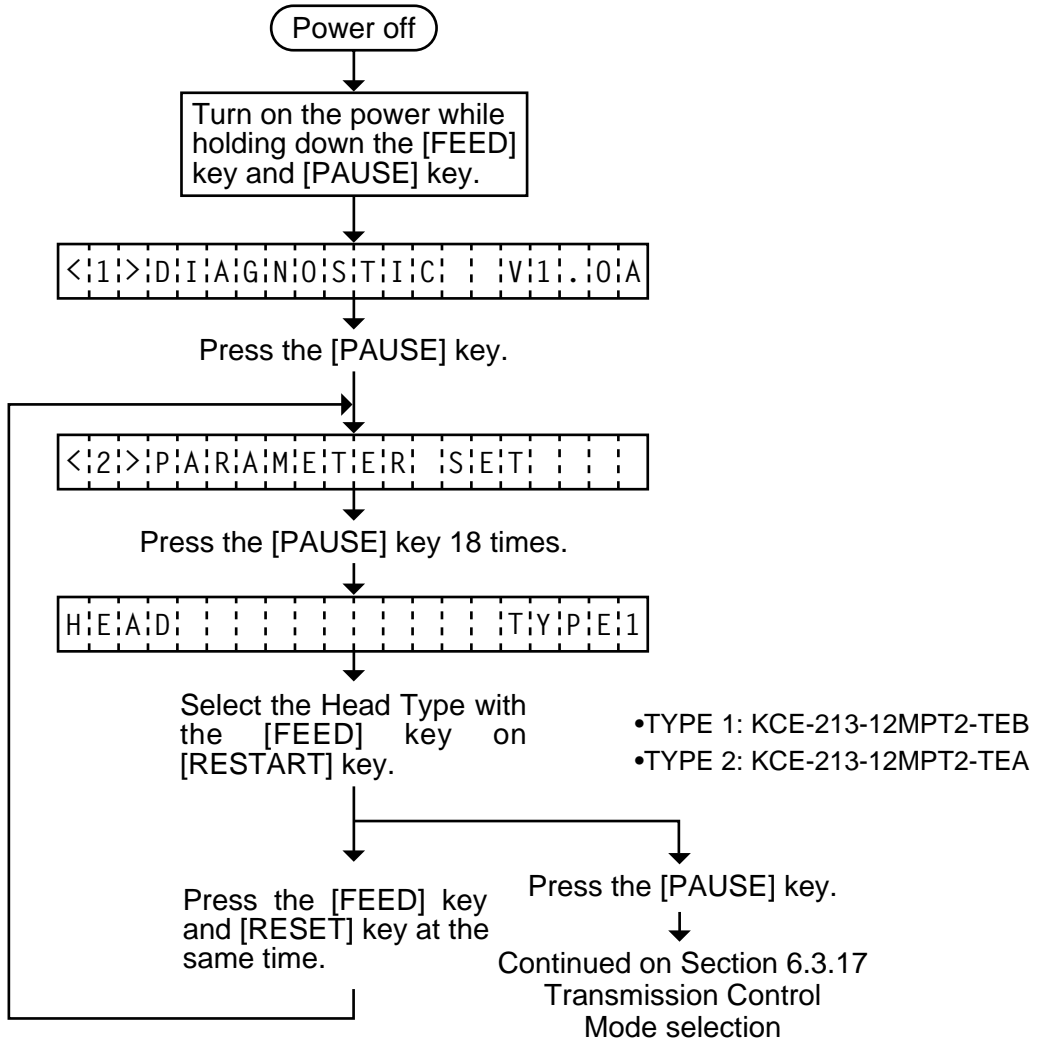
- NOTES:**
1. Holding the [FEED] key or [RESTART] key down for more than 0.5 seconds enables a fast forward.
 2. A changed Kanji code is stored in memory by pressing the [PAUSE] key.

6.3.15 Euro Font Code Selection



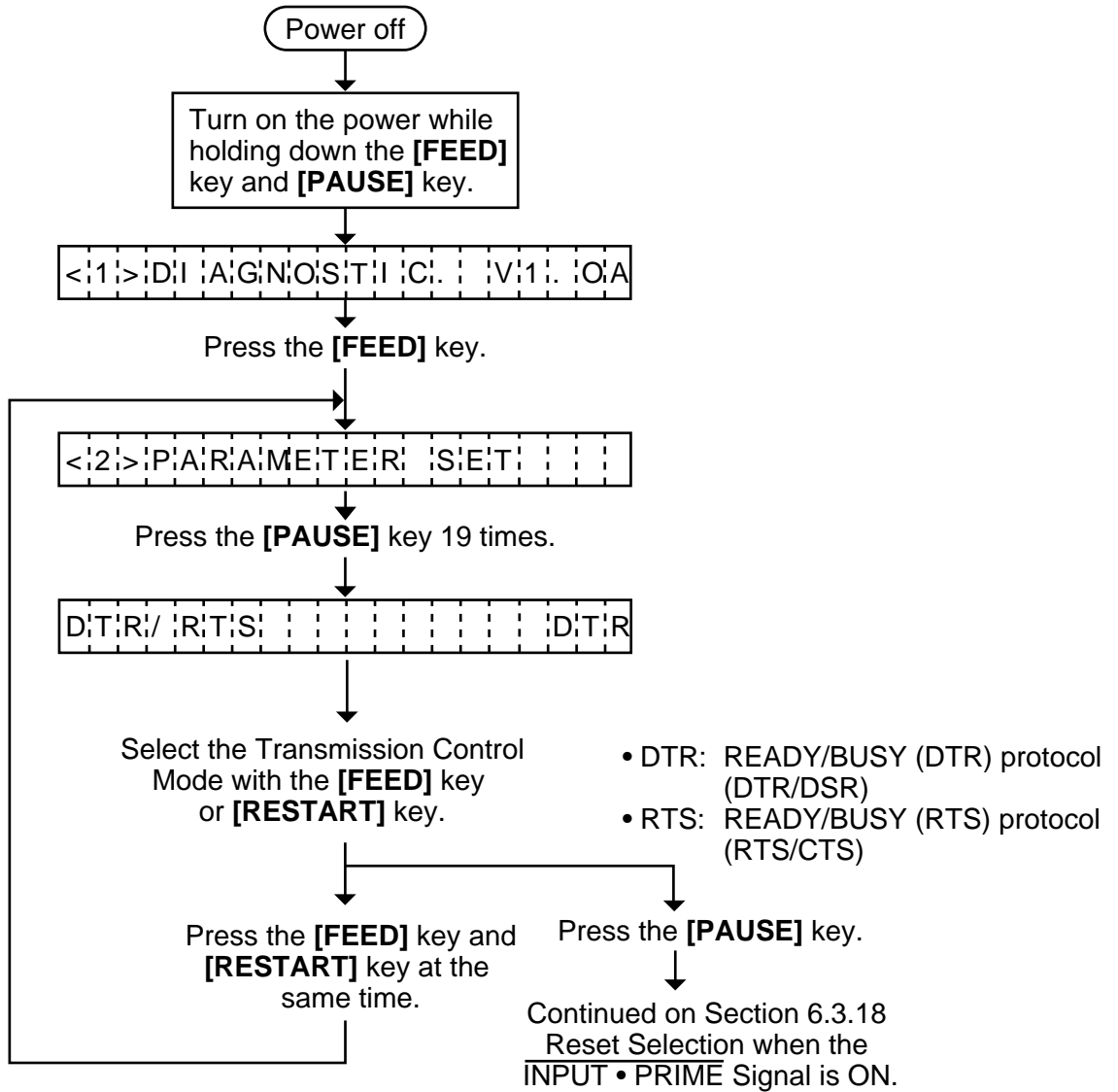
- NOTES:**
1. Holding the [FEED] key or [RESTART] key down for more than 0.5 seconds enables a fast forward.
 2. A changed Euro font code is stored in memory by pressing the [PAUSE] key.

6.3.16 Head Type Selection



- NOTES:**
1. Holding the [FEED] key or [RESTART] key down for more than 0.5 seconds enables a fast forward.
 2. A changed Head type is stored in memory by pressing the [PAUSE] key.

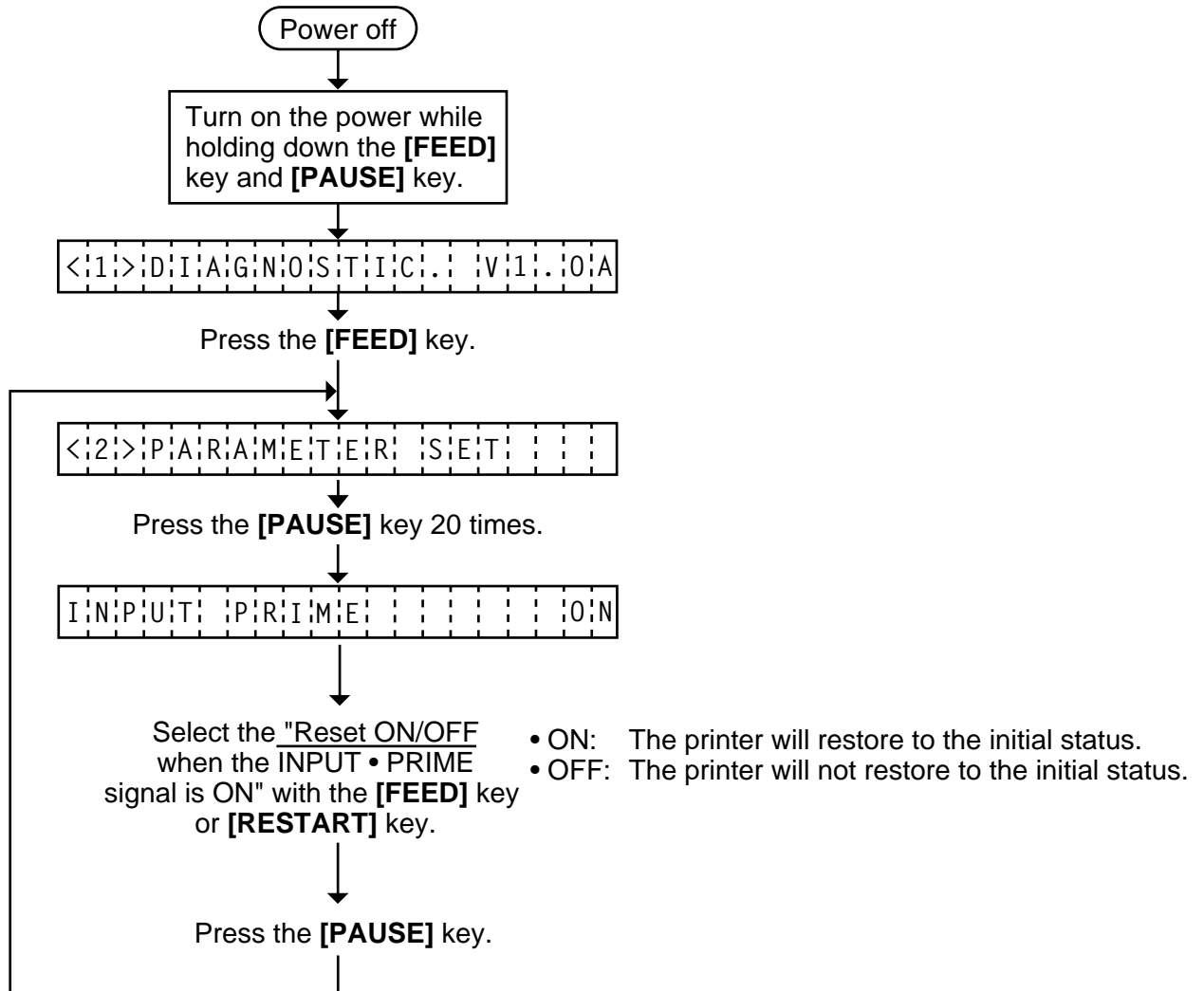
6.3.17 Transmission Control Mode Selection



- NOTES:** 1. Holding the **[FEED]** key or **[RESTART]** key down for more than 0.5 seconds enable.
 2. A changed Transmission Control Mode is memory by pressing the **[PAUSE]** key.

6.3.18 Reset Selection when the INPUT • PRIME Signal is ON.

Reset ON/OFF when the INPUT • PRIME signal ON is selected.



- NOTES:** 1. Holding the [FEED] key or [RESTART] key down for more than 0.5 seconds enable.
2. A changed "Reset ON/OFF when the INPUT • PRIME signal is ON" is stored in memory by pressing the [PAUSE] key.

6.4 TEST PRINT MODE

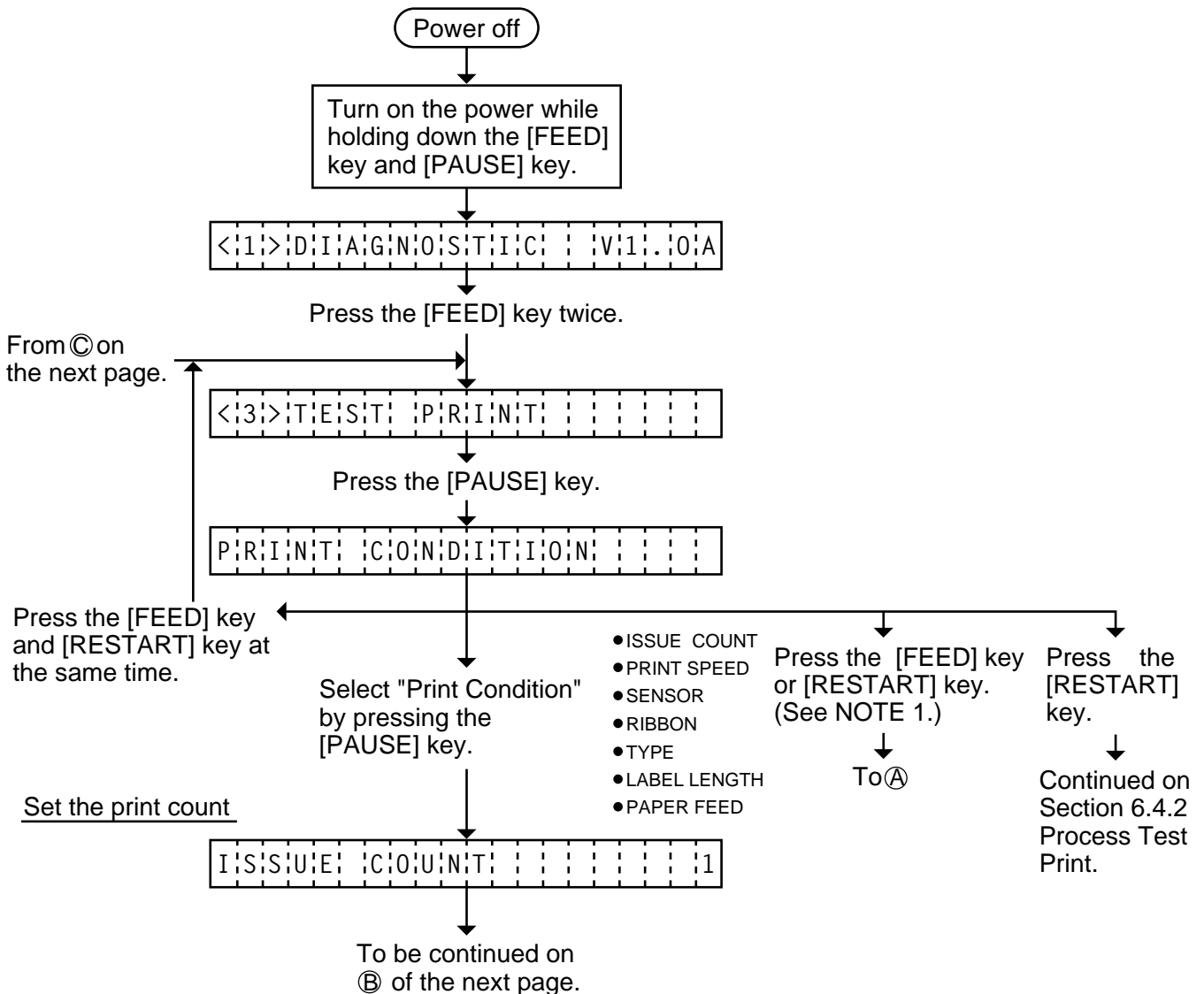
Test print mode contains normal test print and process test print.

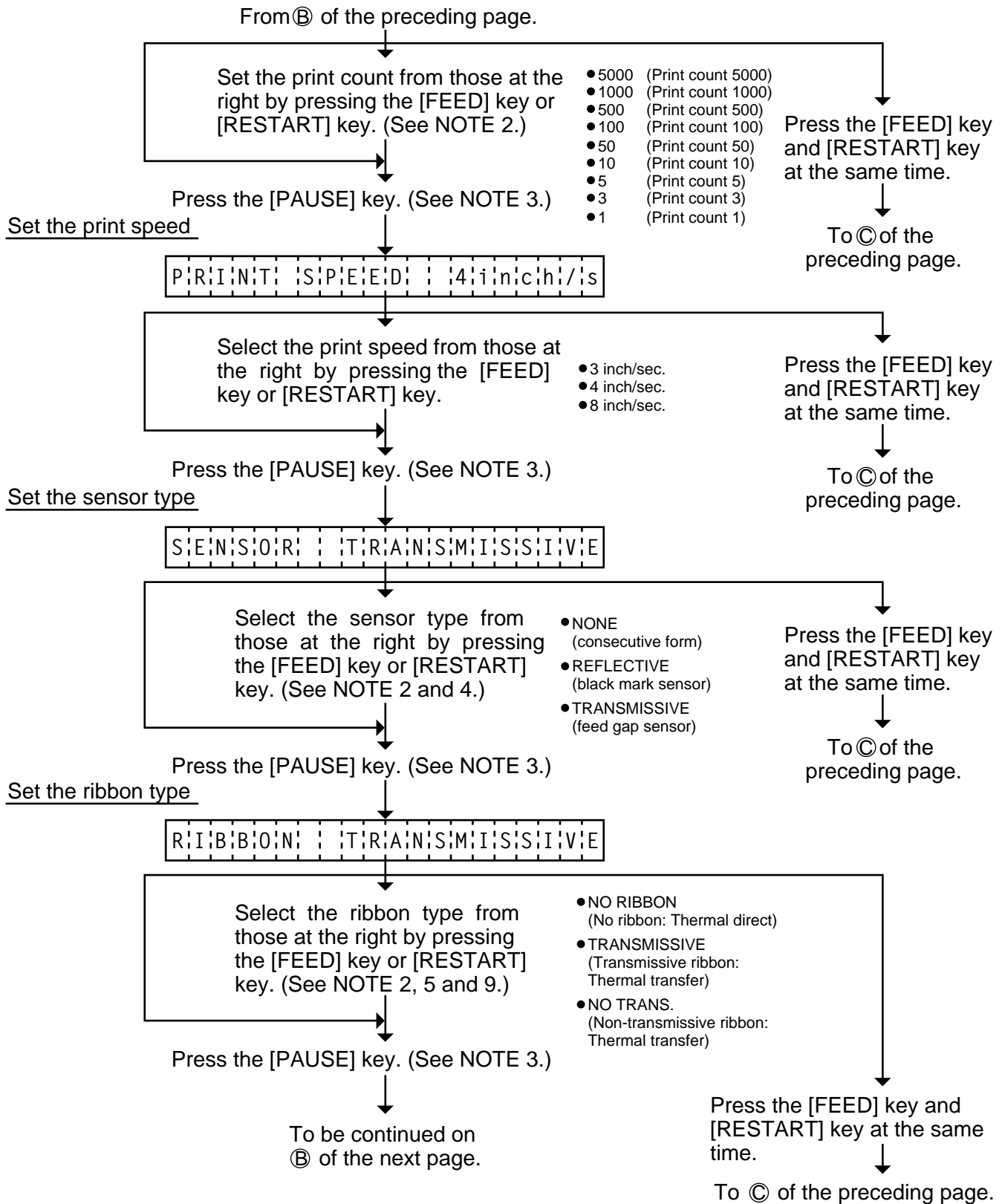
6.4.1 Normal Test Print

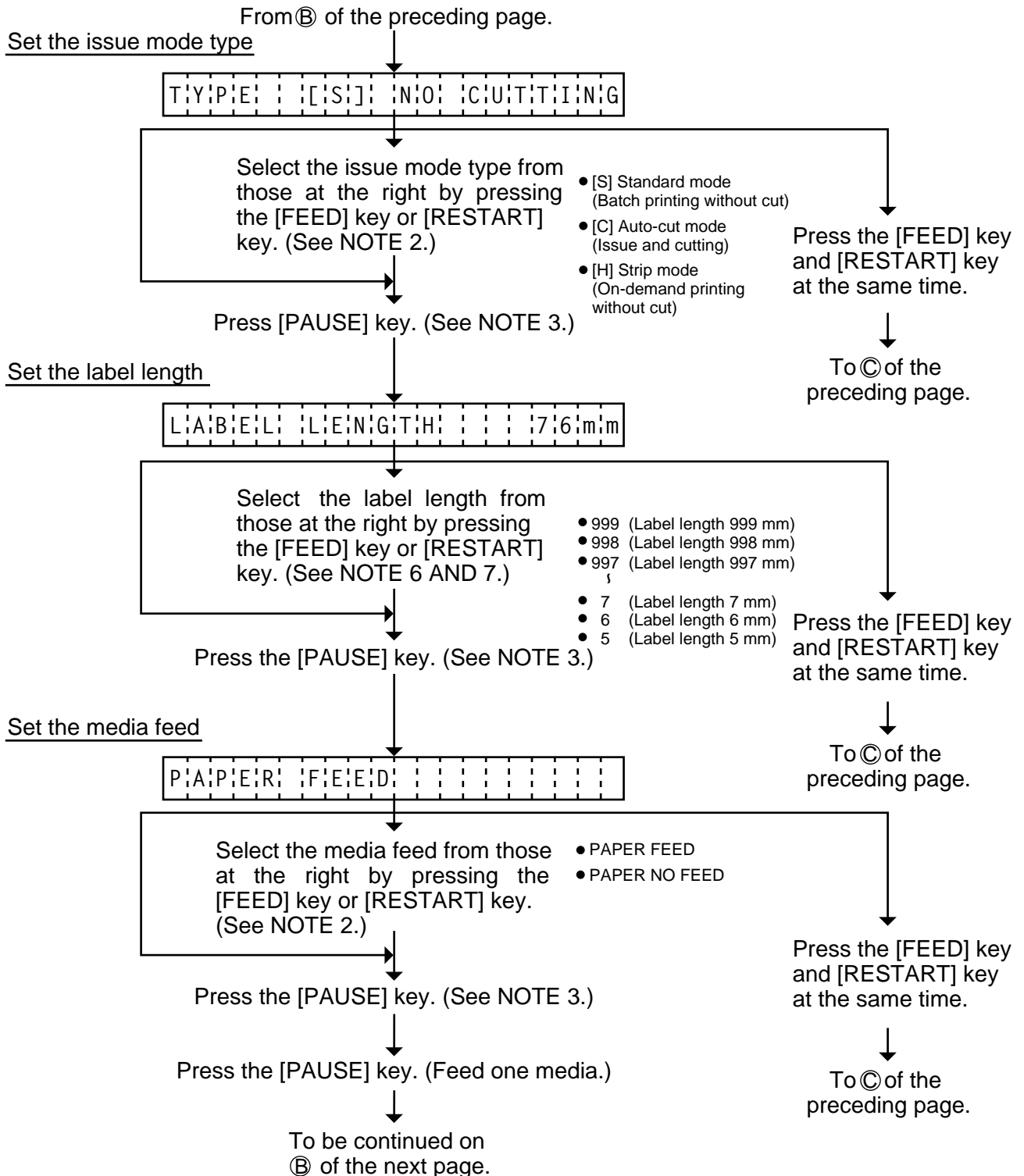
Five kinds of test prints are provided in the test print mode. When performing the test print, 7 parameters should be set. The default parameter at power on is as below:

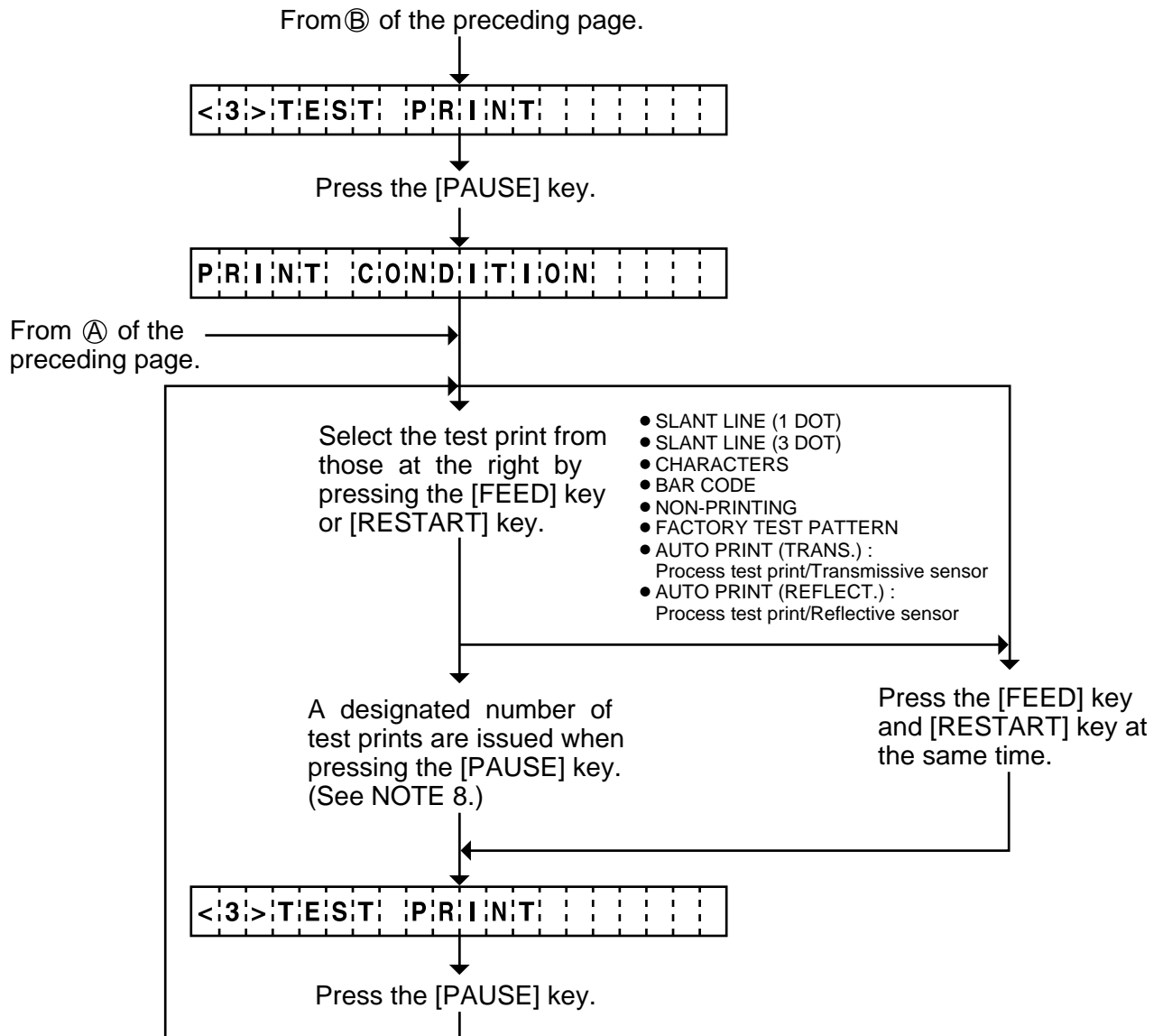
- ISSUE COUNT : 1
- PRINT SPEED : 4 inch/sec.
- SENSOR : Transmissive sensor (Feed Gap Sensor)
- RIBBON : Transmissive ribbon
- TYPE : Batch (without cut)
- LABEL LENGTH : 76 mm
- PAPER FEED : Feed

Operating procedure for the test mode is provided below.









- NOTES:**
1. When there is no change to the print condition, select one of the test print options to issue the test print.
 2. Holding the [FEED] key or [RESTART] key down for more than 0.5 seconds enables a fast forward.
 3. A selected print condition is activated when the [PAUSE] key is pressed.
 4. When the feed gap sensor is selected, the gap between labels becomes 3mm long.
 5. Non-transmissive (NON TRANS.) ribbon cannot be used so the ribbon type must be set to transmissive (TRANS.) ribbon or no ribbon.
 6. A label size greater than the image buffer length cannot be designated. The image buffer length differs according to memory size. If designated, the printer prints in the image buffer, or the printer stops because of an error.

7. Pressing the [FEED] key changes the label length -1 mm, pressing the [RESTART] key changes +1 mm.
8. When an error occurs during a test print, the error message is displayed and printing is stopped. The error is cleared by pressing the [PAUSE] key and the display shows "<3> TEST PRINT". Printing is not automatically resumed after the error is cleared.
9. When 'AUTO PRINT' is selected, 5 pcs. of the 3-dots slant line labels, bar code labels and character labels are printed respectively after one label is fed.

■ Test Print Sample

- Slant line (1 dot)

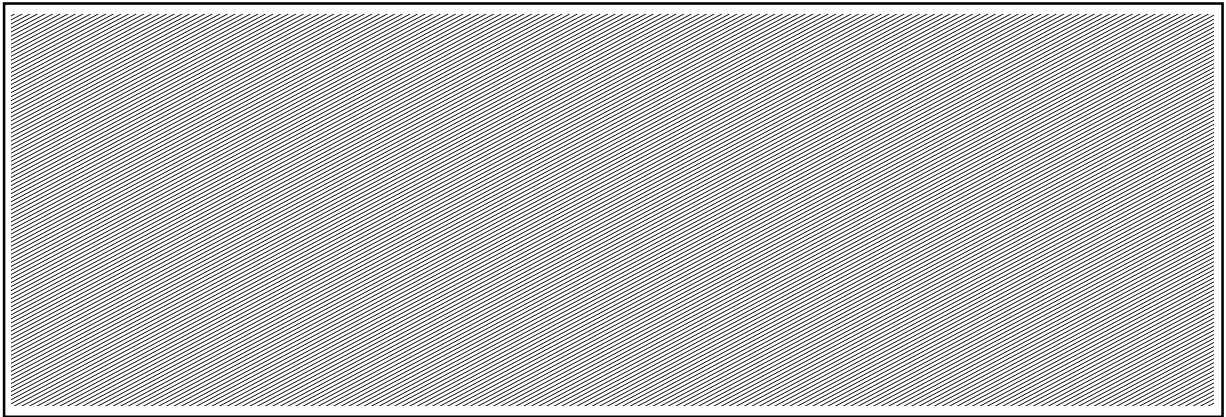


Fig. 6-21

- Slant line (3 dot)

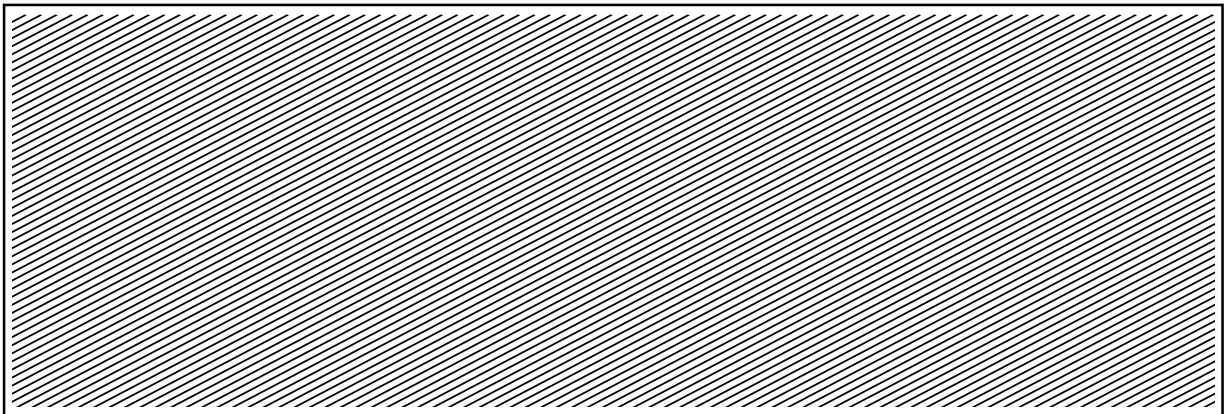


Fig. 6-22

• Characters



Fig. 6-23

• Bar code

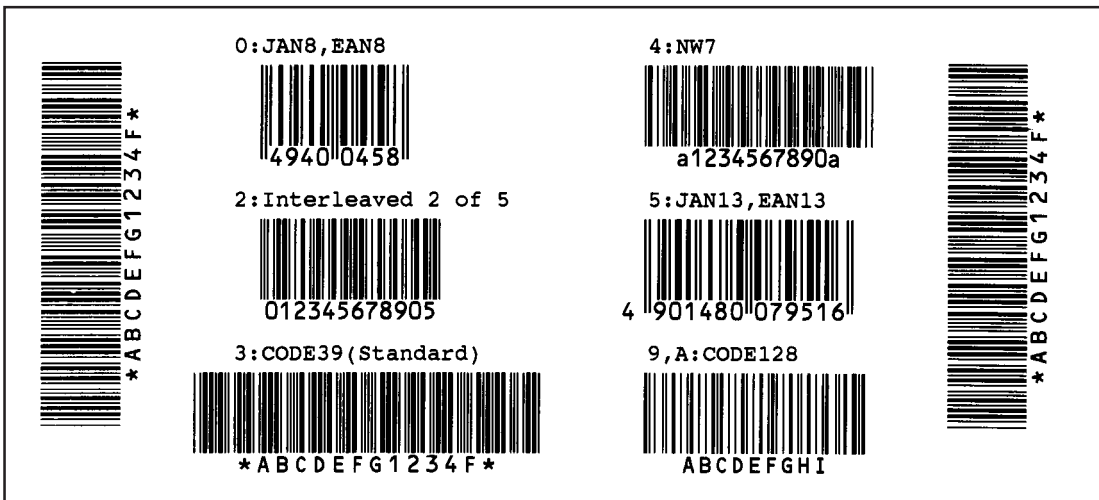


Fig. 6-24

• Factory Test Pattern

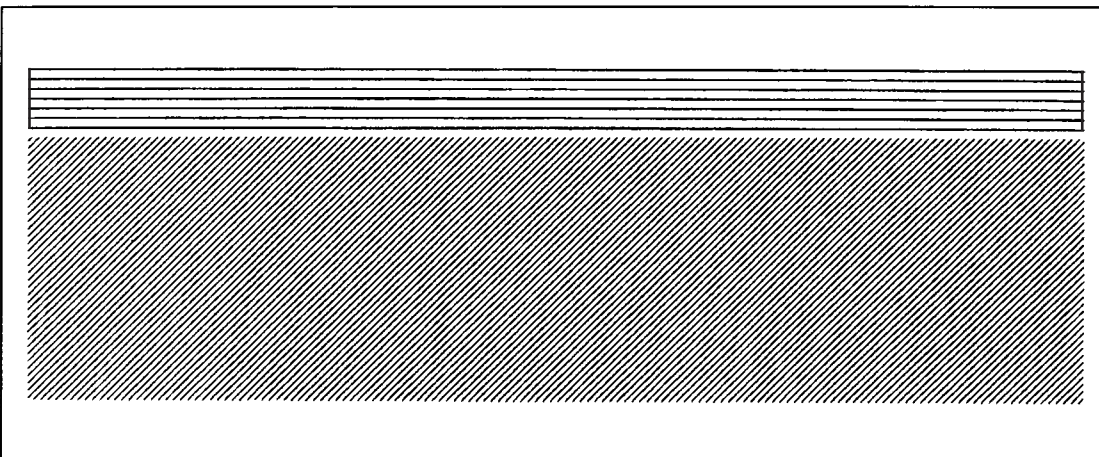


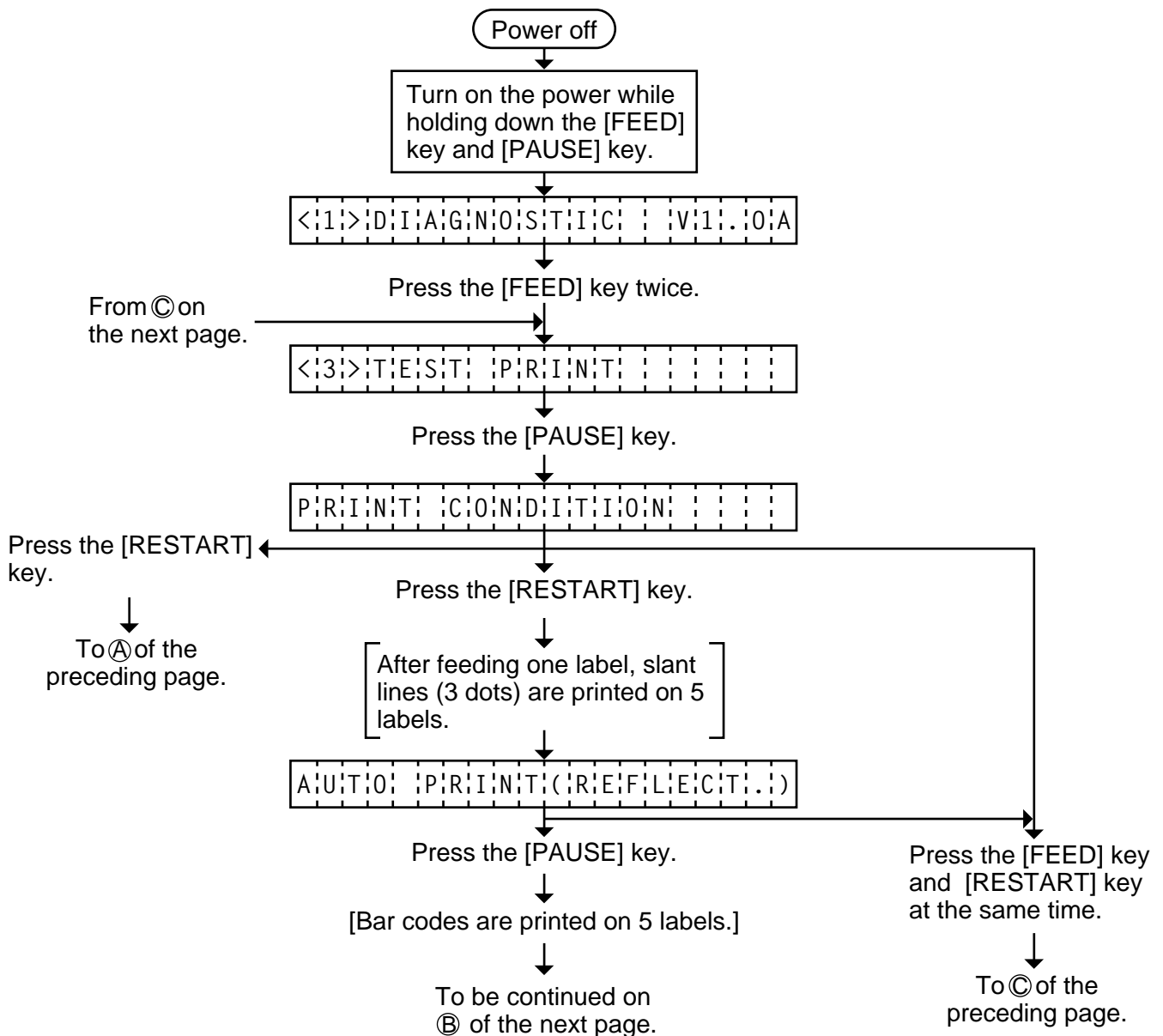
Fig. 6-25

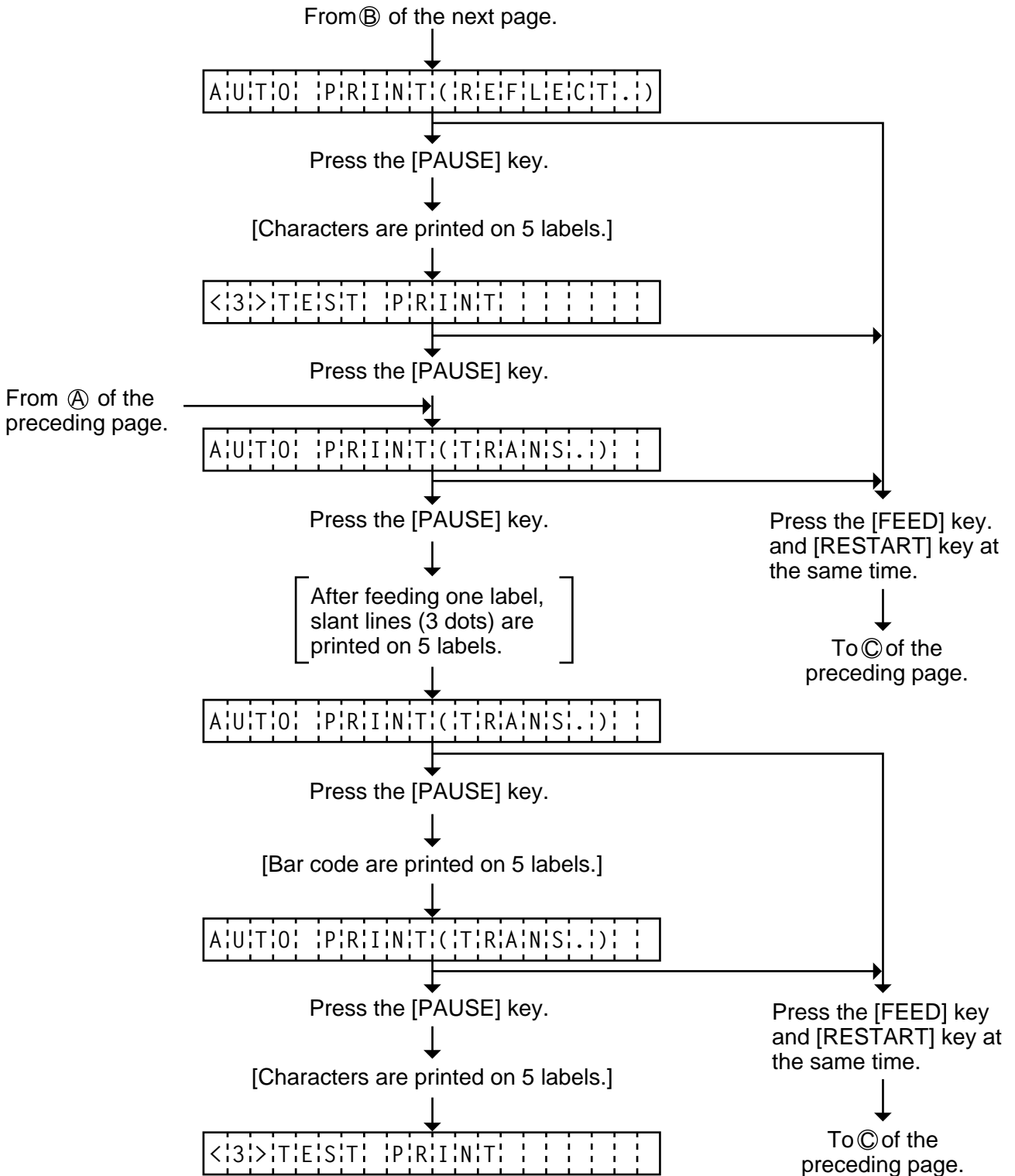
6.4.2 Process Test Print

In the process test print, the test print is automatically performed under the following conditions. Parameter setting and print tone fine adjustment value is ignored.

- OPERATION : One label feed, 3-dot slant line print, bar code print, character print
- ISSUE COUNT : 5 labels each
- PRINT SPEED : 4 inches/sec.
- SENSOR : Transmissive sensor (feed gap sensor) or reflective sensor (black mark sensor)
- RIBBON : Transmissive ribbon
- TYPE : Batch (without cut)
- LABEL LENGTH : 76 mm
- PRINT TONE FINE ADJUSTMENT VALUE : + 0

Operating procedure for the test mode is provided below.



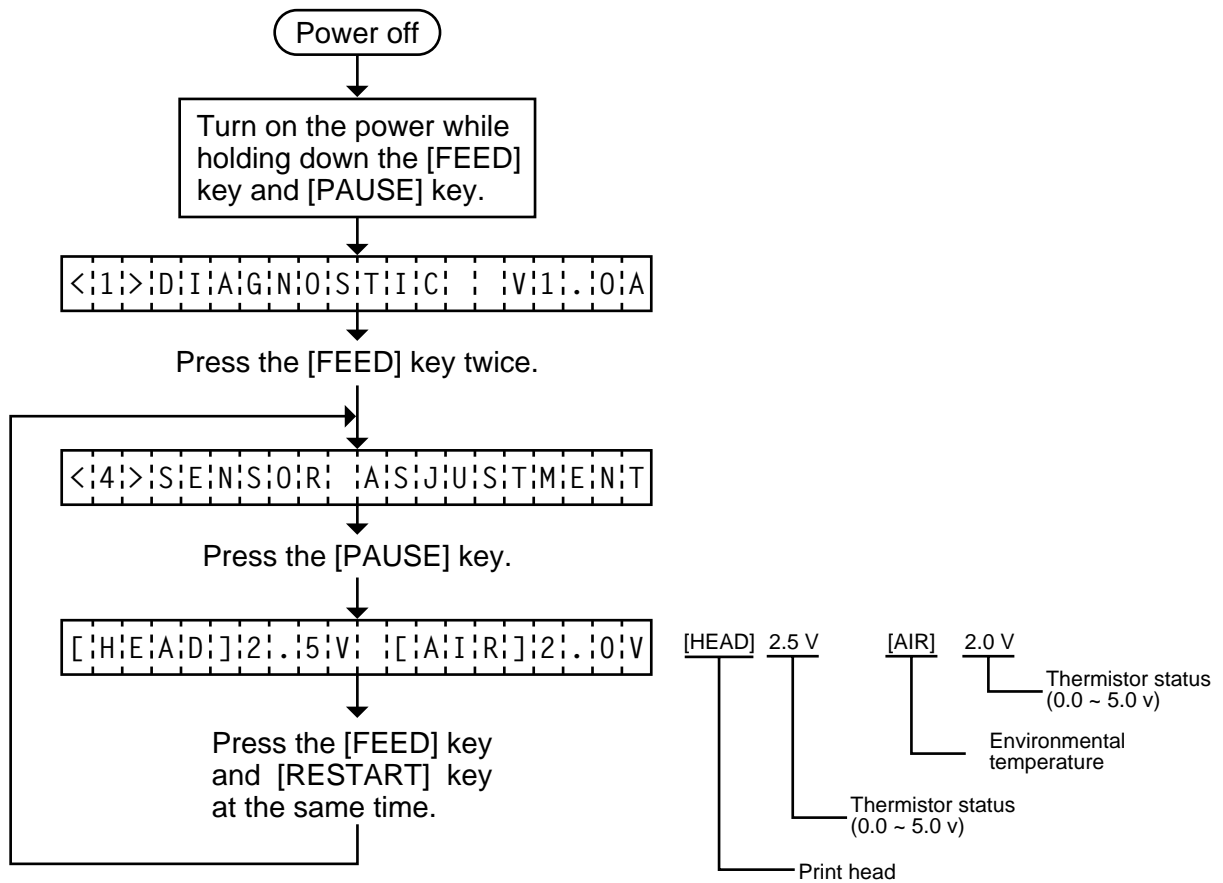


6.5 SENSOR SETTING MODE

Thermistor check and black mark/feed gap sensor setting are provided in the sensor setting mode. The value set in this mode is printed as data of sensor 2 in Automatic diagnosis printing in self test mode.

6.5.1 Thermistor Check

Thermistor check should be performed to check the environmental temperature and print head temperature after the excess head temp. error occurs or batch printing is performed for a long time.

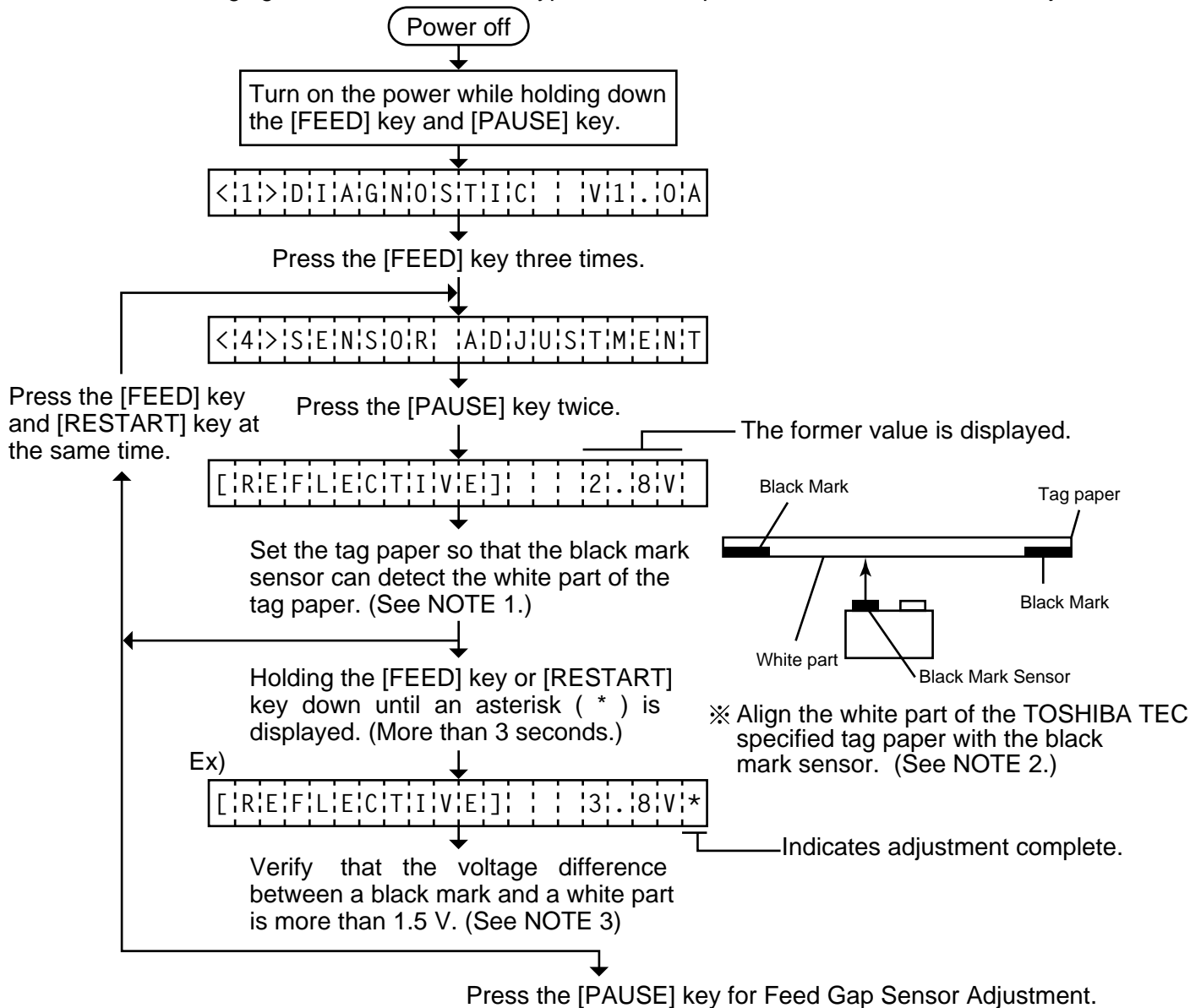


NOTE: Since the thermistor is supervised every 200 ms while displaying the status, the display could vary.

6.5.2 Black Mark Sensor Adjustment

Black mark sensor setting should be performed after replacing the CPU PC board or changing the tag paper to another maker's, or when a paper feed error occurs. The black mark sensor has a movable and a fixed mode. These are selected by the DIP switch.

After changing the black mark sensor type, follow the procedure below to make an adjustment.

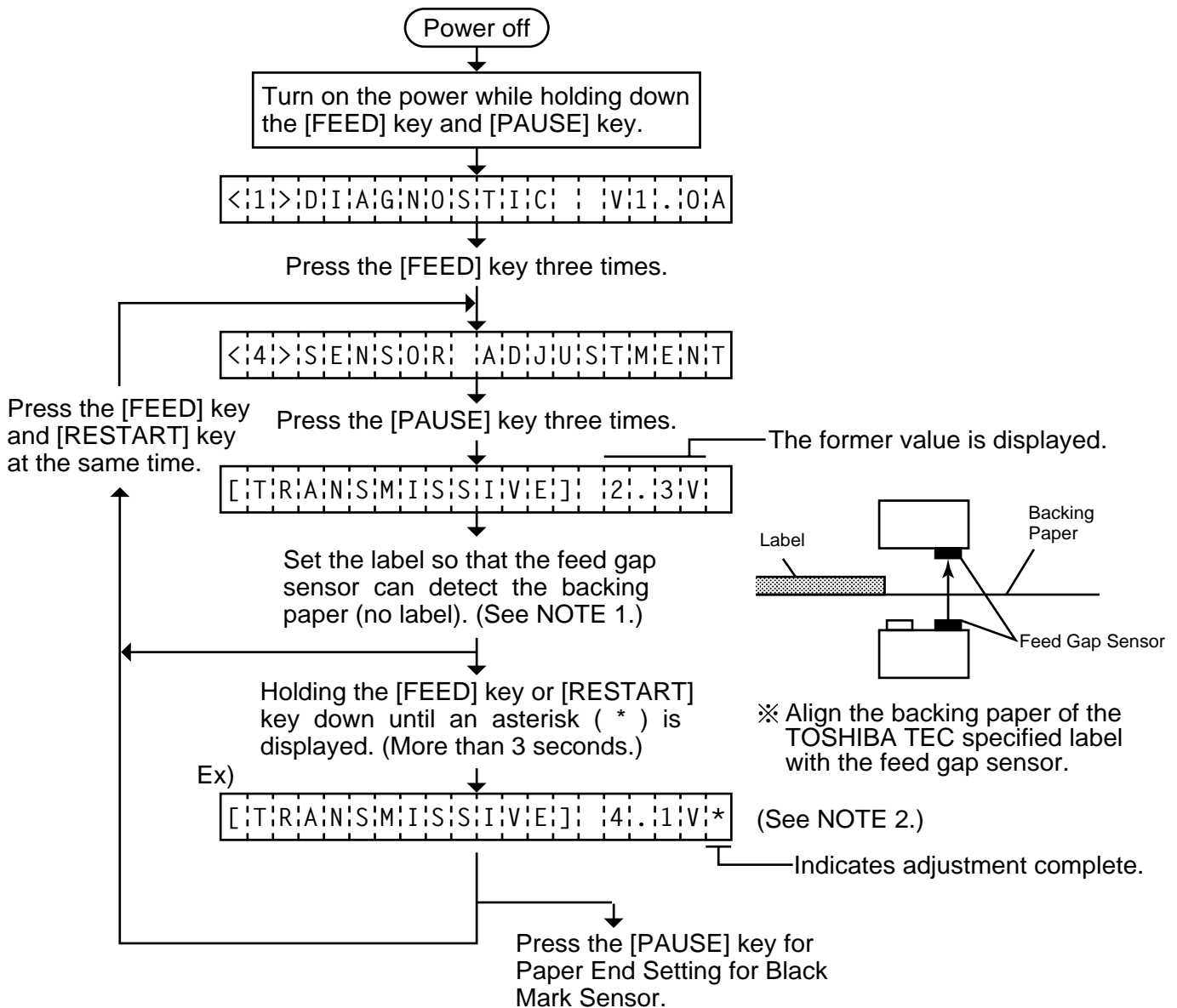


- NOTES:**
1. Make sure to adjust the black mark sensor using the white part of the tag paper as a criterion. Though an adjustment can be performed with the black mark, it may cause a paper jam error.
 2. Pressing the [PAUSE] key validates the sensor adjustment. The value of the sensor is displayed up to 5.0 V.
 3. When the difference is less than 1.5 V, used media may be improper (unspecified), or sensitivity may be dull due to an excessively old or dirty sensor. In this case change the media to one specified, or replace or clean the sensor. Then re-adjust the black mark sensor.

6.5.3 Feed Gap Sensor Adjustment

Feed gap sensor setting should be performed after replacing the CPU PC board or changing the label to another maker's, or when a paper feed error occurs.

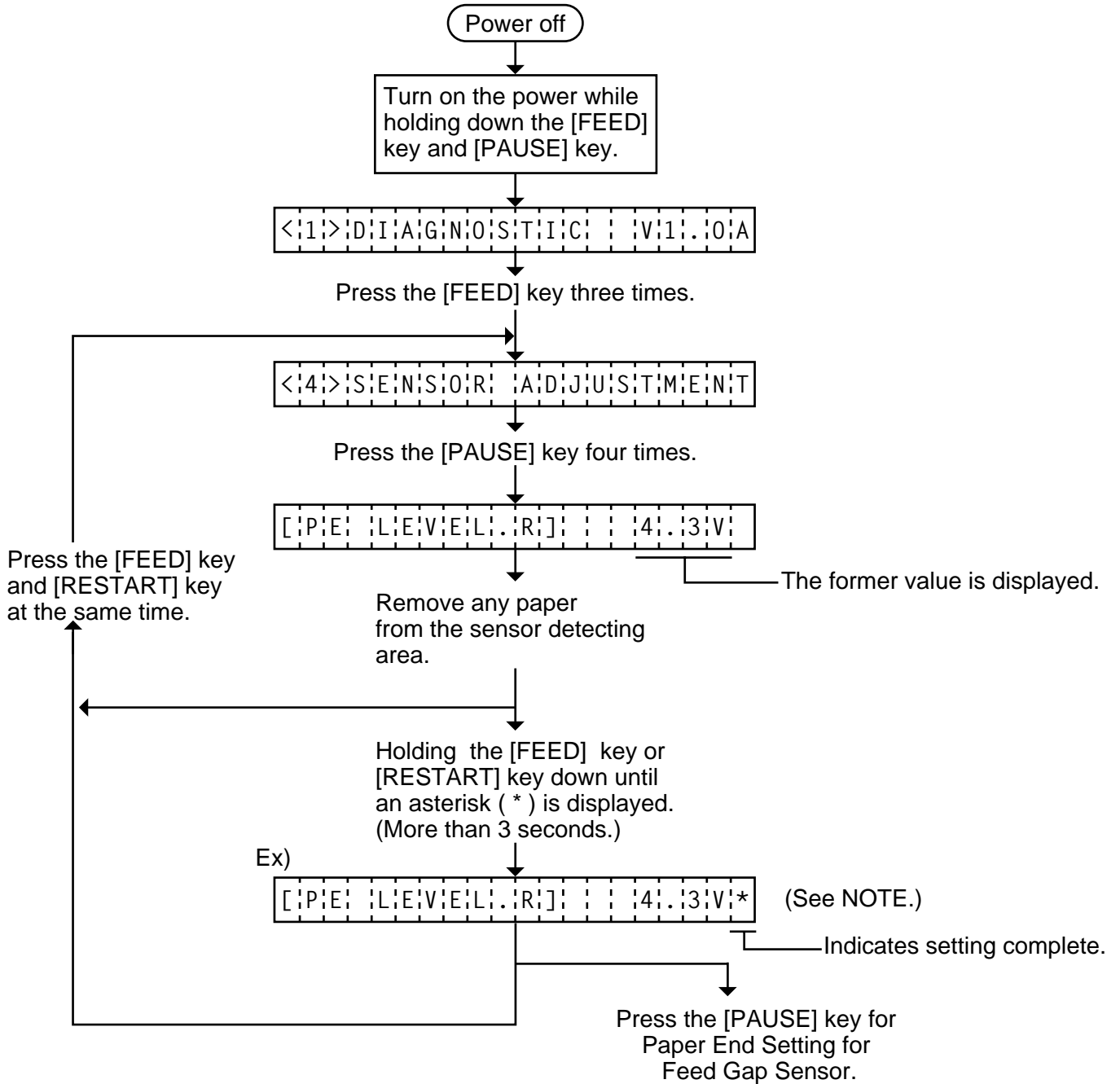
The feed gap sensor has a movable and a fixed mode. These are selected by the DIP switch. After changing the feed gap sensor type, follow the procedure below to make an adjustment.



- NOTES:**
1. Make sure to adjust the feed gap sensor using the backing paper with no label as a criterion. Though an adjustment can be performed with the label, it could cause a paper jam error.
 2. Pressing the [PAUSE] key validates the sensor adjustment. The value of the sensor is displayed up to 5.0 V.
 3. When the difference is less than 1.5 V, used media may be improper (unspecified), or sensitivity may be dull due to an excessively old or dirty sensor. In this case change the media to one specified, or replace or clean the sensor. Then re-adjustment the feed gap sensor.

6.5.4 Paper End Setting for Black Mark Sensor

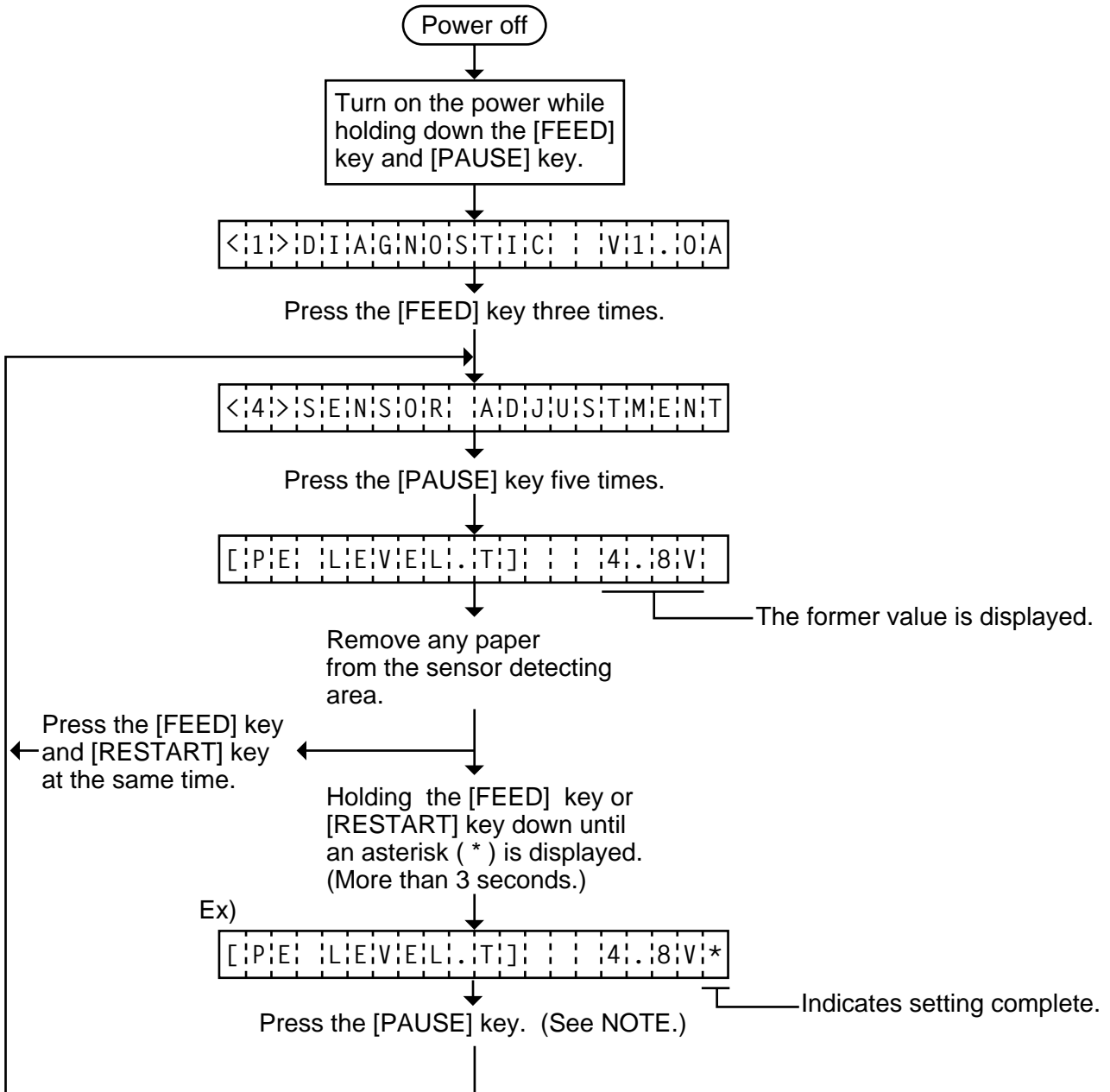
Paper end setting should be performed after replacing the CPU PC board or changing the tag paper to other maker's one, or when a paper feed error occurs.



NOTE: Pressing the [PAUSE] key validates the sensor setting. The value of the sensor is displayed up to 5.0 V.

6.5.5 Paper End Setting for Feed Gap Sensor

Paper end setting should be performed after replacing the CPU PC board or changing the label to other maker's one, or when a paper feed error occurs.



NOTE: Pressing the [PAUSE] key validates the sensor setting. The value of the sensor is displayed up to 5.0 V.

6.6 RAM CLEAR MODE

In RAM clear mode, various data written on the EEP-ROM can be initialized. There are two clear functions; Maintenance counter clear and parameter clear in the parameter setting mode. After referring to the following table specify and clear or initialize the data.

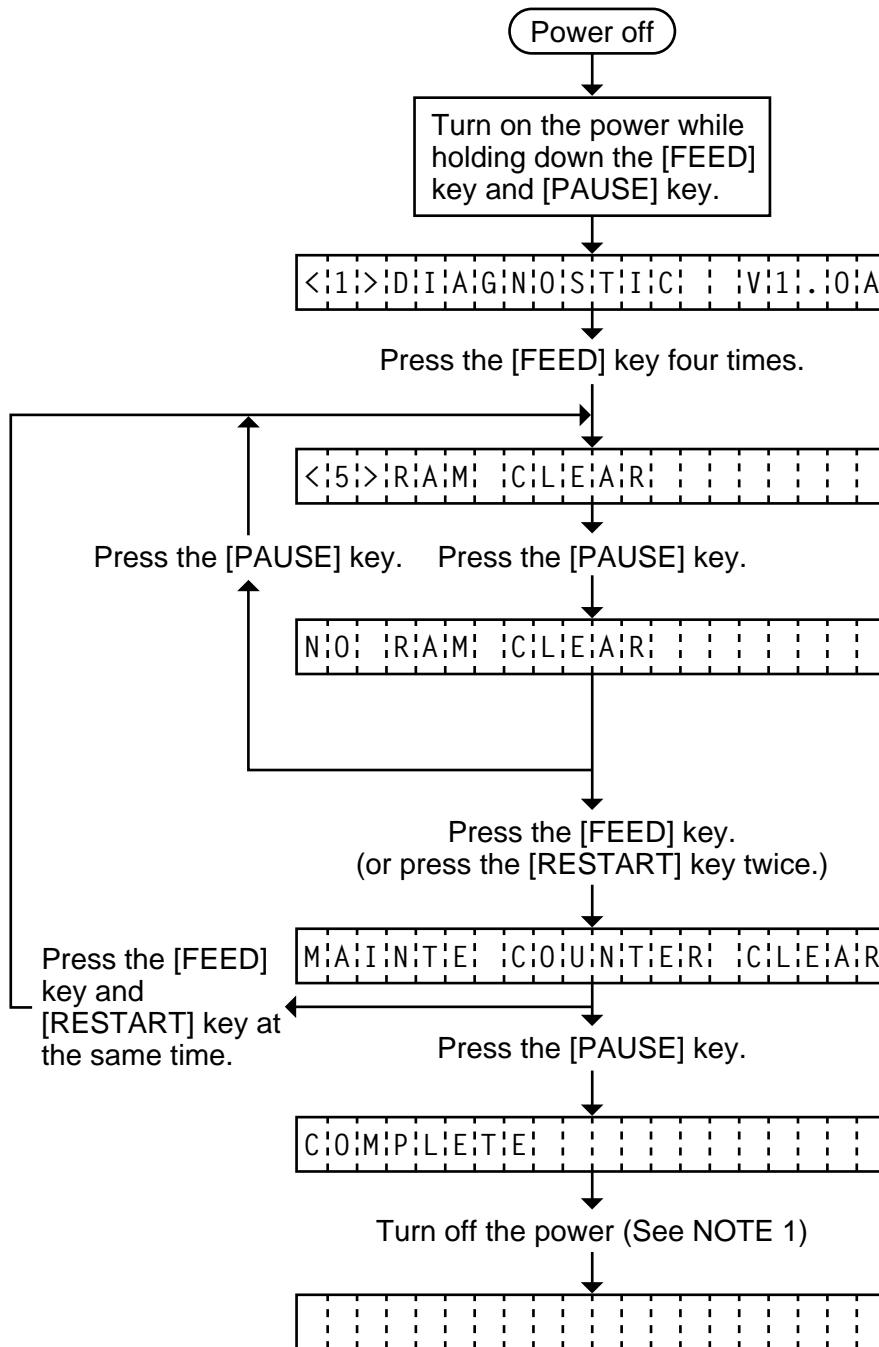
■ RAM Clear Mode Table

Mode Name	Function																				
NO RAM CLEAR	If you enter the RAM clear mode by mistake, specify this mode to escape from the RAM clear mode without executing RAM clear.																				
MAINTE. COUNTER CLEAR	<p>After replacing the print head, cutter module, ribbon feed/rewind motor solenoid, and CPU PC Board, clear the maintenance counter. The following data will be cleared to zero. Confirmation can be made through the maintenance counter procedure in self test mode. (See NOTE 1 and 2.)</p> <table border="1"> <thead> <tr> <th>Item</th> <th>Initial Value</th> </tr> </thead> <tbody> <tr> <td>Media distance covered</td> <td>0.0 Km</td> </tr> <tr> <td>Print distance</td> <td>0.0 Km</td> </tr> <tr> <td>Cut count</td> <td>0 times</td> </tr> <tr> <td>Head up and down count</td> <td>0 times</td> </tr> <tr> <td>Ribbon motor driving time</td> <td>0 hours</td> </tr> <tr> <td>Solenoid driving time</td> <td>0 hours</td> </tr> <tr> <td>RS-232C hardware error count</td> <td>0 times</td> </tr> <tr> <td>System error count</td> <td>0 times</td> </tr> <tr> <td>Momentary power failure count</td> <td>0 times</td> </tr> </tbody> </table>	Item	Initial Value	Media distance covered	0.0 Km	Print distance	0.0 Km	Cut count	0 times	Head up and down count	0 times	Ribbon motor driving time	0 hours	Solenoid driving time	0 hours	RS-232C hardware error count	0 times	System error count	0 times	Momentary power failure count	0 times
Item	Initial Value																				
Media distance covered	0.0 Km																				
Print distance	0.0 Km																				
Cut count	0 times																				
Head up and down count	0 times																				
Ribbon motor driving time	0 hours																				
Solenoid driving time	0 hours																				
RS-232C hardware error count	0 times																				
System error count	0 times																				
Momentary power failure count	0 times																				
PARAMETER CLEAR	<p>This clear should be employed when initializing the following parameters to the setting before shipment. Confirmation can be made through the automatic diagnostic procedure in self test mode. (See NOTE 1 and 2.)</p> <table border="1"> <thead> <tr> <th>Item</th> <th>Initial Value</th> </tr> </thead> <tbody> <tr> <td>Feed length fine adjustment (PC)</td> <td>0.0 mm</td> </tr> <tr> <td>Cut/strip position fine adjustment (PC)</td> <td>0.0 mm</td> </tr> <tr> <td>Back feed length fine adjustment (PC)</td> <td>0.0 mm</td> </tr> <tr> <td>Print tone fine adjustment (Thermal transfer) (PC)</td> <td>0 step</td> </tr> <tr> <td>Print tone fine adjustment (Thermal direct) (PC)</td> <td>0 step</td> </tr> <tr> <td>Feed length fine adjustment (KEY)</td> <td>0.0 mm</td> </tr> <tr> <td>Cut/strip position fine adjustment (KEY)</td> <td>0.0 mm</td> </tr> <tr> <td>Back feed length fine adjustment (KEY)</td> <td>0.0 mm</td> </tr> <tr> <td>Print tone fine adjustment (Thermal transfer) (KEY)</td> <td>0 step</td> </tr> </tbody> </table>	Item	Initial Value	Feed length fine adjustment (PC)	0.0 mm	Cut/strip position fine adjustment (PC)	0.0 mm	Back feed length fine adjustment (PC)	0.0 mm	Print tone fine adjustment (Thermal transfer) (PC)	0 step	Print tone fine adjustment (Thermal direct) (PC)	0 step	Feed length fine adjustment (KEY)	0.0 mm	Cut/strip position fine adjustment (KEY)	0.0 mm	Back feed length fine adjustment (KEY)	0.0 mm	Print tone fine adjustment (Thermal transfer) (KEY)	0 step
Item	Initial Value																				
Feed length fine adjustment (PC)	0.0 mm																				
Cut/strip position fine adjustment (PC)	0.0 mm																				
Back feed length fine adjustment (PC)	0.0 mm																				
Print tone fine adjustment (Thermal transfer) (PC)	0 step																				
Print tone fine adjustment (Thermal direct) (PC)	0 step																				
Feed length fine adjustment (KEY)	0.0 mm																				
Cut/strip position fine adjustment (KEY)	0.0 mm																				
Back feed length fine adjustment (KEY)	0.0 mm																				
Print tone fine adjustment (Thermal transfer) (KEY)	0 step																				

Mode Name	Function	
PARAMETER CLEAR	Item	Initial Value
	Print tone fine adjustment (Thermal direct) (KEY)	0 step
	X axis fine adjustment	0.0 mm
	Character code selection	PC-850
	Font zero selection	"0"(without slash)
	Control code selection	Auto.
	Ribbon type selection	Trans.
	Ribbon motor drive voltage fine adjustment (PC)	0
	Ribbon motor drive voltage fine adjustment (KEY)	0
	Strip wait status setting	1
	Stacker	OFF
	Status response	ON
	Threshold manual fine adjustment for the black mark sensor	1.0 V
	Threshold manual fine adjustment for the feed gap sensor	1.4 V
	Label pitch	76.2 mm
	Effective printing length	74.2 mm
	Effective printing width	128 mm
	With/Without ribbon	With
	Sensor type	Transmissive sensor (Feed gap sensor)
	Feed Speed	5 inch/sec.
	Issue mode	Standard (Batch printing)
	PC save automatic calling	ON
	Kanji code	TYPE 1
	Euro font code	B0H
Transmission Control Mode	DTR	
Reset selection when the INPUT • PRIME signal is ON.	ON	

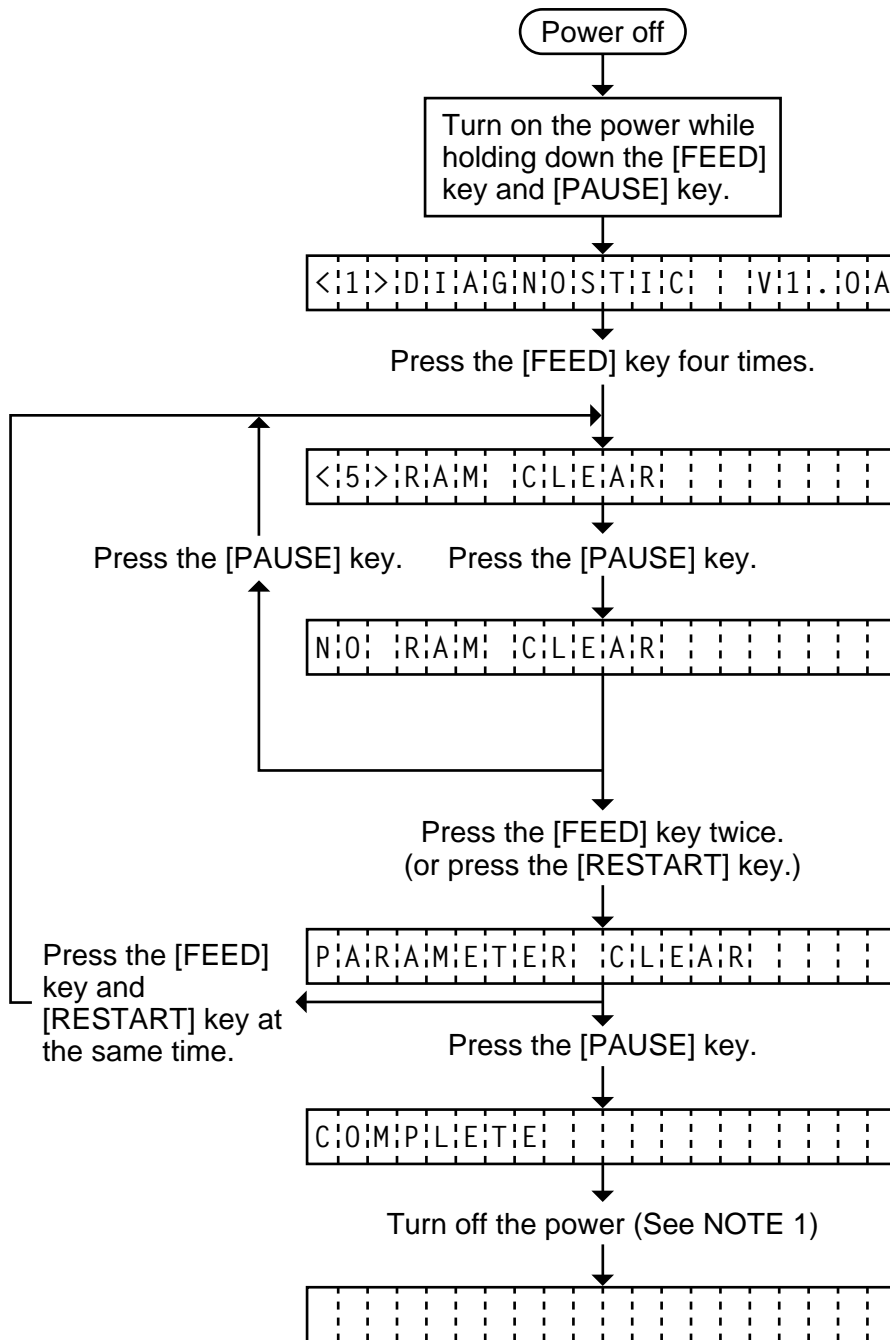
- NOTES:**
1. Total media distance covered (TL FEED) and the adjustment value for the sensors cannot be cleared.
 2. Data stored on the flash memory card cannot be cleared with this procedure. To clear data on the flash memory card, send the format command to initialize the card. For details, refer to the External Equipment Interface Specification.
 3. For data to be cleared in the RAM clear mode, refer to the RAM clear mode table.
 4. After RAM clear is performed, the threshold setting value will turn to the default (0). When using pre-printed labels, be sure to set the threshold after referring to the Owner's manual.

6.6.1 Maintenance Counter Clear



NOTE: Confirm that "COMPLETE" is displayed, then turn the power off.

6.6.2 Parameter Clear



NOTE: Confirm that "COMPLETE" is displayed, then turn the power off.

7. PROGRAM DOWN LOAD

The main program for the printer has been written onto the flash ROM. If the main program is upgraded, due to the addition/change of the specification, download the main program from the PC to the printer with the down-load floppy disk and RS-232C interface.

7.1 FLOPPY DISK

- (1) Media 3.5 inches (2DD)
- (2) System disk 1 disk (This floppy disk contains the main program written onto the printer and the tool program for down load.)

7.2 SETUP

The transmission control code for the printer must be set to either the automatic selection or manual selection (ESC, NUL, LF). For details, refer to Section 6.3.8 Control Code Selection.

■ Program down load with RS-232C interface

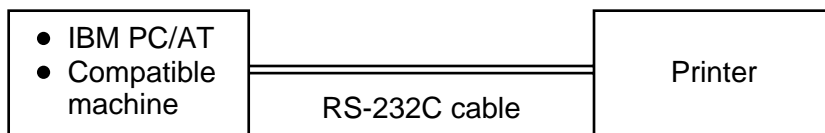


Fig. 7-1

Connect the PC to the printer with an RS-232C cable. Set the DIP SW2 on the CPU PC board of the printer as follows:

SW#	Status	Function	Description
1	OFF	9600 BPS	Transmission Speed
2	ON		
3	OFF	1 bit	Stop bit length
4	ON	8 bit	Data length
5	OFF	No	Presence/absence of parity

(11) When an error occurs, the following message is displayed together with the error code in line ③.

The following error occurred during transmission. (ERROR=###)

Press any key to retry.

└── Error
code

Doing so will revert to the displayed described in step (6). Refer to the error code to find the cause of the error. then retry the down load.

(12) After terminating the down load, refer to the Maintenance Manual Section 6.2 SELF TEST MODE and perform diagnostic printing. Check that the printer operates properly and the main program version and checksum is printed on the label.

7.4 ERROR CODE

Error Code (#)	Error	Remarks
06	Communication error (Error is detected during command analysis.)	Status from the printer
07	Communication error (Parity error, overrun error or framing error occurred during communication with RS-232C.)	
50	Write error occurred while data was being written onto the flash ROM.	
51	Delete error occurred during formatting of the flash ROM.	
57	Chacksum error occurred in the transmission program data.	
81	Image data transmission request signal is not convert to "L"	Error detected in PC
82	Data FIFO of the high speed interface is not empty	
88	Undefined status is received when awating data in RS-232C.	
90	A parameter error occurred.	
92	An overrun error occurred in RS-232C.	
93	A parity error occurred in RS-2323C.	
94	A framing error occurred in RS-232C.	
95	A break is detected in RS-232C.	
97	COM1 open error occurred in RS-232C.	
98	Undefined status is received against the loading setup command.	
99	Undefined status is received when the loading operation is terminated.	

Check the following when an error occurs:

- The printer power is turned on.
- The RS-232C cable is connected properly.
- The DIP SW on the CPU PC board is set correctly.