



TEC Thermal Printer

B-670 SERIES

Parts List

Document No. **EM8-33020**

Original **Jan., 1997**

(Revision)

TABLE OF CONTENTS

	Page
HOW TO USE THIS PARTS LIST	2
BODY PARTS	
1. COVERS	B1-1
2. RIBBON DRIVE BLOCK	B2-1
3. PRINT HEAD BLOCK	B3-1
4. PLATEN BLOCK	B4-1
5. CUTTER MODULE (B-4208-QM)	B5-1
6. STRIP MODULE (B-4908-H-QM)	B6-1
7. MISCELLANEOUS PARTS	B7-1
ELECTRONIC PARTS	
1. CPU PC BOARD ASS'Y	E1-1
2. BPC PC BOARD ASS'Y	E2-1
3. BPE PC BOARD ASS'Y	E3-1
4. PS UNIT	E4-1
4. CUT I/F PC BOARD ASS'Y	E4-1
5. PWM PC BOARD ASS'Y	E5-1
6. CPU PC BOARD ASS'Y (16 MB-DRAM)	E6-1

CAUTION:

1. *This manual may not be copied in whole or in part without prior written permission of TOSHIBA TEC.*
2. *The contents of this manual may be changed without notification.*
3. *Please refer to your local authorized service representative with regard to any queries you may have in this manual.*

HOW TO USE THIS PARTS LIST

- 1) Indication of Ref. No.



- 2) The initials found in the Remarks column refer to the names of countries. Please find the corresponding countries below. If there is no symbol, it is a standard part.

QP for Europe bloc.
 QQ for North America bloc only

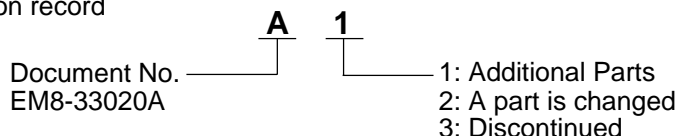
- 3) Miscellaneous parts (screws, washers, etc.) shall be ordered in minimum lots of 100.
 4) As a rule, orders will not be accepted and the company will not be responsible for problems concerning parts not listed in this parts list.
 5) The columns from *1 through *4 indicate as follows:

*1 : Quantity/Unit

*2 : Recommendation of parts stock

	Q'ty/100 Units
Class A	10
Class B	7
Class C	5
Class D	3
Class E	1

*3 : Revision record



*4 : New part (indicated with " ○ ")

- 6) Any item with the # mark at the top in the description means one of the SPC (Strategic Products Control) parts.
 7) The name of the electronic parts are abbreviated as below:

Ref. No.	Real Name	Abbreviation	Ref. No.	Real Name	Abbreviation
C	Capacitor	CAP.	Q	Transistor	XISTOR.
R	Resistor	RSTR.	CN	Connector	CONN.
RA	Resistor Array	RSTR. Array	ZD	Zener Diode	Z. Diode
VR (RV)	Variable Resistor	V. RSTR			

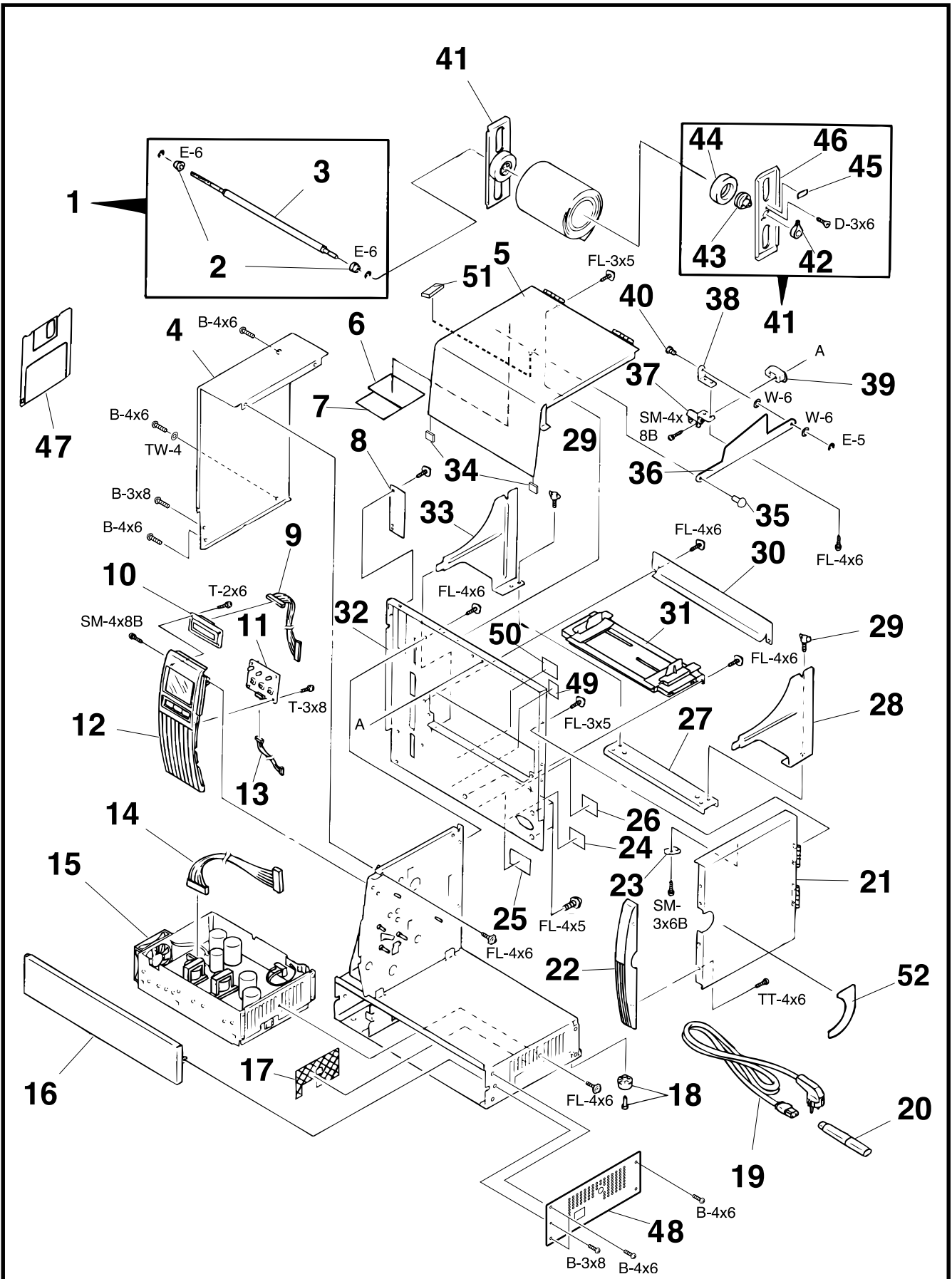
- NOTES:**
1. The parts shown in this list may be modified by TOSHIBA TEC together with issuing the parts information, if necessary.
 2. The figures in this parts list are provided for reference and may be different from the actual parts in shape.
 3. Electronic parts with the same Ref. No. are interchangeable with each other unless their quantities are listed.
 4. For the underlined assembly parts, the components are available separately.

- 8) Parts with no reference numbers are irreplaceable and unauthorized as service parts.

BODY PARTS

EM8-33020
B-670 SERIES JAN. '97
(Revision Date: Jun. 19, 2000)

1 COVERS



1 **COVERS 1/2**

Ref.No.	Part No.	Description	Remarks	*1	*2	*3	*4
1-1	<u>FMBC0045701</u>	<u>Holder Shaft Ass'y</u>	Accessory	1	C		
1-2	24350100512	Shaft Holder FX6-103		2	B		
1-3	FMDC0007701	Holder Shaft		1			
1-4	FMEE0013701 FMEE0013702	Side Panel (L)	Changed:1/99	1			
1-5	FMCE0003401 FMCE0003402	Top Cover	Changed:1/99	1			
1-6	FMMB0050701	Caution Label B		1			
1-7	FMMB0050601	Caution Label A		1			
1-8	FMEB0084902	Blind Plate		1			
1-9	FMCB0067201	LCD Harness		1	E		
1-10	FMBB0029401	LCD Ass'y		1	D		
1-11	<u>FMBB0032501</u>	<u>LED PC Board Ass'y</u>		1	E		
LD1,2	GBH-0162001 C0-12260000	LED SLP-236B-81 (Green)	Changed:9/06	2			R
LD3	GBH-0161001 C0-12259000	LED SLP-136B-81 (Red)	Changed:9/06	1			R
R1	DBA-121JA2F	Carbon RSTR. RD1/4SST26 120W		1			
SW1~3	EBA-0040001	Key Switch SKHCAB		3			
CN1	EAA-2375001 E0-10729000	CONN. S7B-PH-K-S CONN. S7B-PH-K-S (LF) (SN)	Changed:9/06	1			R
1-12	FMCC0024402	Front Panel		1			
1-13	FMCB0067101	LED Harness		1	E		
1-14	FMCB0067702	PS Harness		1	E		
1-15	GDB-0115001	PS Unit (universal type)		1	E		
1-16	FMED0027501 FMED0027502	Front Cover	Changed:1/99	1			
1-17	FMQB0045701 FMQB0088801	FAN Filter A	Changed:12/03	1			
1-18	24089157031	Plastic Foot 1325		4			
1-19	EKA-0030001 EKA-0055001 FBCB0030203 FBCB0030202 7FM02531000	Power Cord (EU cord) Power Cord (US cord) Power Cord (US cord)	QP, Accessory Changed: 2/2001 QQ, Accessory Deleted:9/06 QQ Added;10/98 Changed:9/06	1 1 1	D D		
1-20	24089500013	Head Cleaner Pen	Accessory	1	A		
1-21	FMCE0003301 FMCE0003302	Side Panel (R)	Changed:1/99	1			
1-22	FMHE0004302	Front Cover (R)		1			
1-23	FFF-0039001	Magnet Catch TL-105S		1	C		

*1: Q'ty/Unit *2: Recommended Parts *3: Revised Record *4: RoHS

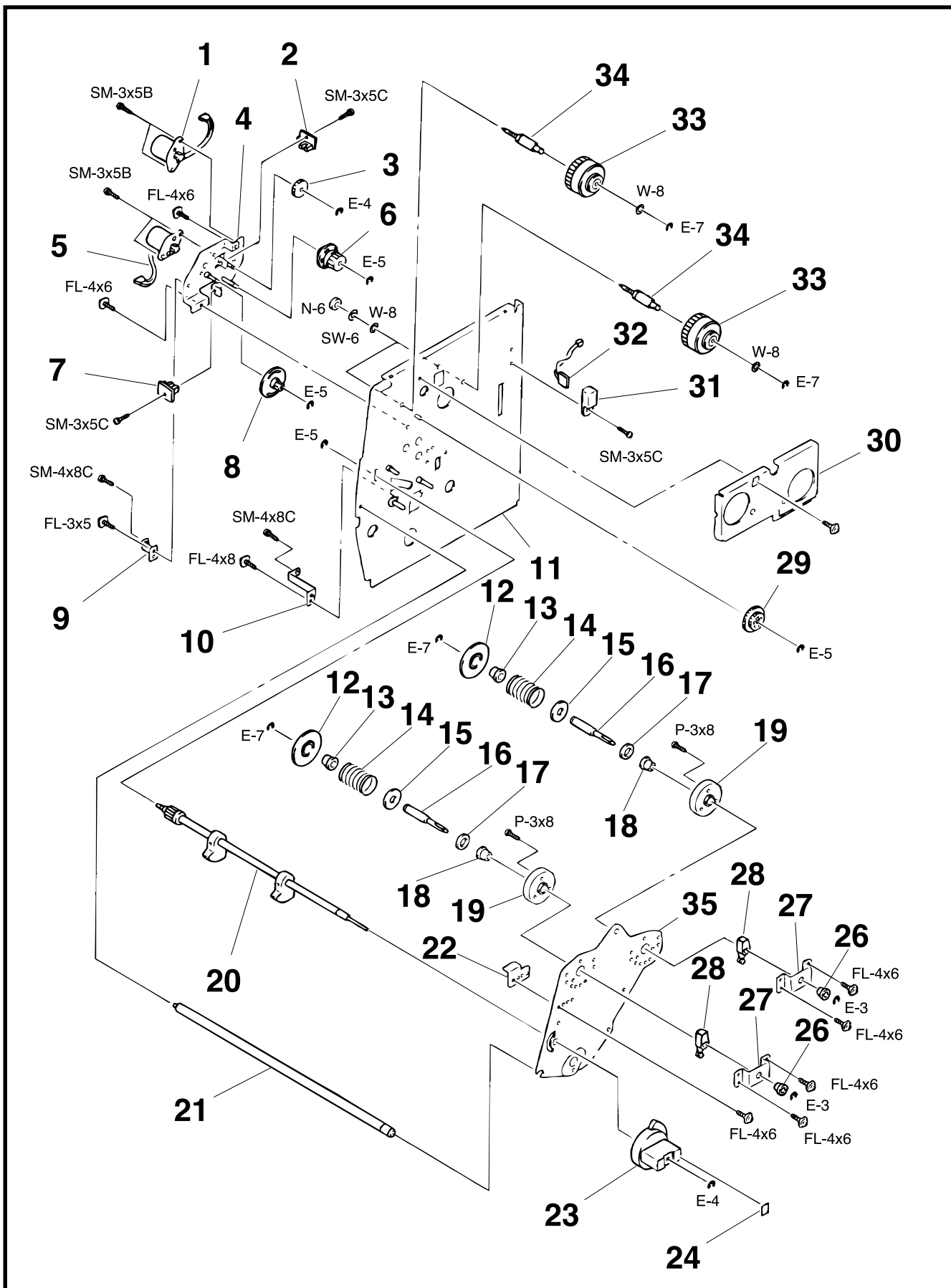
1

COVERS 2/2

Ref.No.	Part No.	Description	Remarks	*1	*2	*3	*4
1-24	FMMB0045801	DOC Label	QQ	1			
1-25	FMMB0034501	FCC Label		1			
1-26	FMMB0037601	EMC Label		1			
1-27	FMBB0040901	Holder Base	Accessory	1	C		
1-28	FMED0022601	Right Side Holder	Accessory	1	C		
1-29	24A36010406	Thumbscrew M-4x6	Accessory	2	C		
1-30	FMED0022801	Media Guide Plate		1			
1-31	FMBD0029401	Media Guide Ass'y		1			
1-32	FMEE0010801	Rear Cover		1			
1-33	FMED0022501	Left Side Holder	Accessory	1	C		
1-34	FMQB0045101	Top Cover Edge Guard		2			
1-35	FMDB0058701	Damper Pin B		1			
1-36	FMEB0096604	Cover Link	Changed:12/99	1			
	FMEB0127601	Cover Link 2					
1-37	HZC-0008005	Damper TH-122-1A		1	C		
1-38	FMEB0096404	Hinge Bracket	Changed:12/99	1			
	FMEB0127701						
1-39	FMEB0096301	Damper Attaching Plate		1			
1-40	FMDB0058601	Damper Pin A		1			
1-41	<u>FMBD0009201</u>	<u>Media Holder Ass'y</u>	Accessory	2	C		
1-42	FMHD0000210	Lock Lever		2			
1-43	FMHD0000100	Media Core		2			
1-44	FMQB0000200	Rubber Core (3 inch)		2			
1-45	FMMB0029201	Lever Position Sticker		2			
1-46	FMED0007301	Media Holder		2			
1-47	FMBC0061601	Program Down Load FDK		1			
1-48	FMED0027702	Lower Right Panel	Added:1/99	1			
1-49	FMMB0068401	EMC Number Label	QQ Added:9/99	1			
1-50	FMMB0068201	Caution Label C	QQ Added:9/99	1			
1-51	FMQB0050701	Head Shim Sheet 8.5	Added:12/99	1			
1-52	FMMB0045102	Head Position Label	Corrected: 6/2000	1			

*1: Q'ty/Unit *2: Recommended Parts *3: Revised Record *4: RoHS

2 RIBBON DRIVE BLOCK

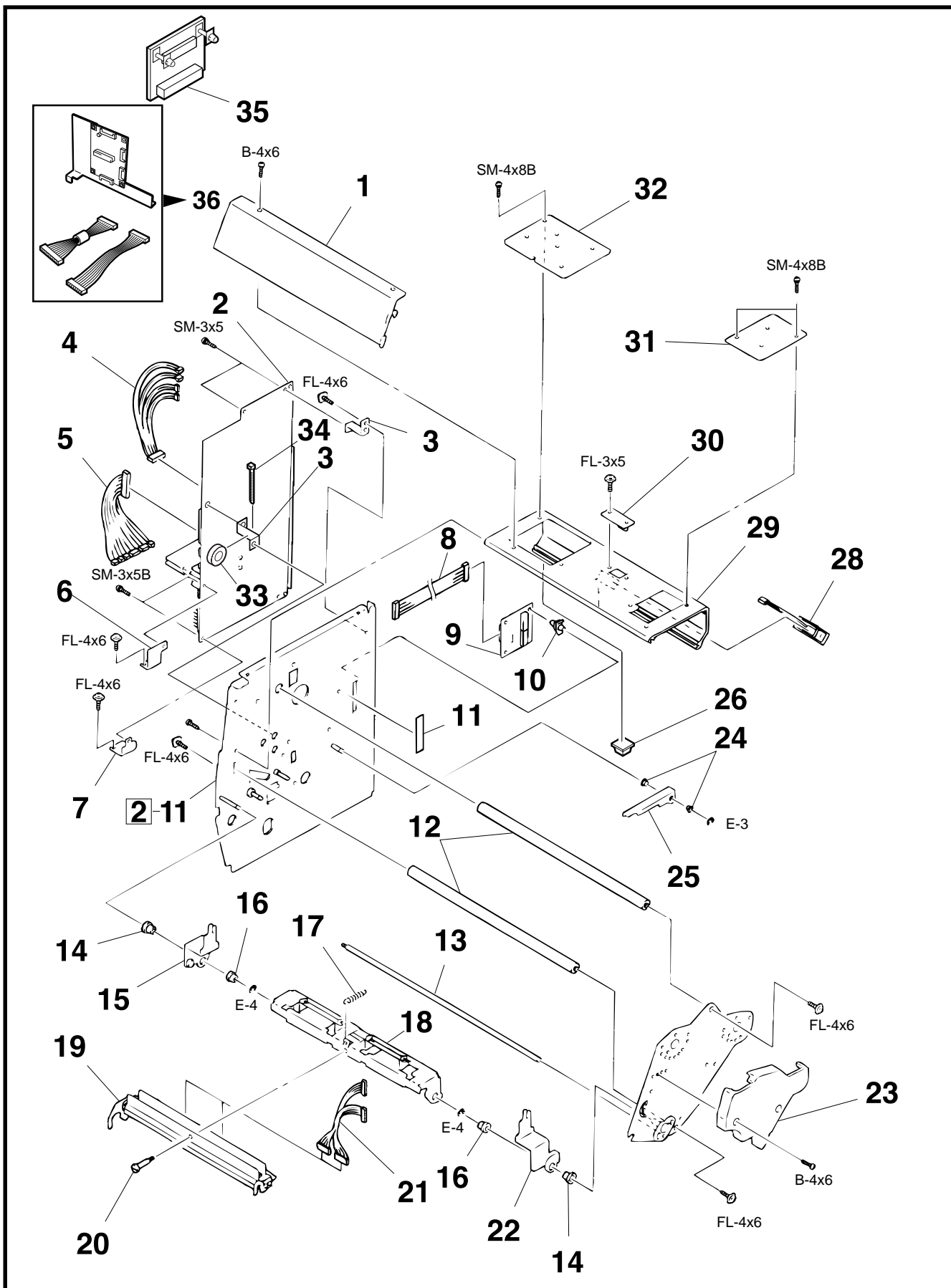


2 RIBBON DRIVE BLOCK

Ref.No.	Part No.	Description	Remarks	*1	*2	*3	*4
2- 1	FMBB0030502	Ribbon Motor (Feed) [CONN. color: Red]		1	E		
2- 2	FMBB0028402	Slit Sensor (Rewind)		1	B		
PC1	DED-0049001	Photo Coupler TLP826		1			
CN1	EAA-0585001	CONN. 53015-0311 Black		1			
2- 3	FMHB0018301	Idle Gear		1	D		
2- 4	FMCC0024001	Ribbon Motor Attaching Plate		1			
2- 5	FMBB0030501	Ribbon Motor (Rewind) [CONN. color: Black]		1	E		
2- 6	FMHC0008501	Feed Slit Gear		1	D		
2- 7	FMBB0028401	Slit Sensor (Feed)		1	B		
PC1	DED-0049001	Photo Coupler TLP826		1			
CN1	24420201450	CONN. 53015-0310		1			
2- 8	FMHC0008201	Rewind Slit Gear		1	D		
2- 9	FMEB0101101	Option Board Support (Upper)		1			
2-10	FMEB0101001	Option Board Support (Lower)		1			
2-11	FMCC0028701	Main Frame		1			
2-12	FMHB0000800	Ribbon Guide Wheel		2			
2-13	FAF-0039001	Shaft Holder R-ARF0810		2	B		
2-14	FMQB0000400	Ribbon Guide Spring		2			
2-15	FMEB0000300	Ribbon Guide Washer		2			
2-16	FMDB0058101	Ribbon Fixing Shaft		2			
2-17	24060000840	Thrust Washer R-TW0815		2			
2-18	FAF-0046001	Shaft Holder B-F6-51		2	B		
2-19	FMHB0022801	Ribbon Flanged Core		2			
2-20	FMBC0044401	Head Cam Shaft		1			
2-21	FMDC0007601 FMDC0007602	Head Frame Fulcrum Shaft	Changed:7/'99	1			
2-22	FMEB0096201	Head Front Cover Stopper		1			
2-23	FMHC0010701	Head Lever		1			
2-24	FMMB0045201	Head Pressure Label		1			
2-25	FMMB0045102	Head Position Label	Deleted:6/2000	1			
2-26	FAF-0049001	Lever Holder B-F4-15		2			
2-27	FMEB0095801	Ribbon Shaft Stopper		2			
2-28	FMHB0022901	Ribbon Lever		2			
2-29	FMHB0018201	Idle Gear		1	D		
2-30	FMEC0041601	Ribbon Gear Cover		1			
2-31	EAHB0000201	Sensor Holder		1	B		
2-32	FMBB0029302	Thermistor		1	B		
2-33	FMCB0072801	Ribbon Rewind Core		2	D		
2-34	FMDB0057901	Ribbon Drive Shaft		2			
2-35	FMCB0069401	Side Plate C Ass'y	Added:3/'98	1			

*1: Q'ty/Unit *2: Recommended Parts *3: Revised Record *4: New Parts

3 PRINT HEAD BLOCK



3	PRINT HEAD BLOCK 1/2
----------	-----------------------------

Ref.No.	Part No.	Description	Remarks	*1	*2	*3	*4
3- 1	FMBC0051301	Print Head Front Cover		1			
3- 2	FMBC0043407	CPU PC Board Ass'y	QP	1	E		⊕
		(SERV No. B-228-17)					
	FMBC0043408	CPU PC Board Ass'y	QQ	1	E		⊕
		(SERV No. B-228-18)					
	FMBC0043415	CPU PC Board Ass'y (16MB-DRAM)	QP	1	E		
		(SERV No. B-228-27)	Changed:11/'97				
	FMBC0043416	CPU PC Board Ass'y (16MB-DRAM)	QQ	1	E		
		(SERV No. B-228-28)	Changed:11/'97				
3- 3	FMEB0095501	PCB Attached Plate		3			
3- 4	FMCC0028402	DC Motor Harness		1	E		
3- 5	FMCC0028501	Sensor Harness		1	E		
3- 6	FMEB0095301	PCB Fixing Plate A		1			
3- 7	FMEB0095401	PCB Fixing Plate B		1			
3- 8	FMCB0068801	DIP SW. Harness		1	E		
3- 9	FMBB0037801	DIP SW. PC Board Ass'y		1	E		
		(SERV No. B-229-01)					
3-10	FDB-0044001	Locking Support LCBT-3S		3			
3-11	FMMB0045402	DIP Switch Label		1			
3-12	FMDC0007401	Main Frame Fulcrum Shaft		2			
3-13	FMDC0007801	Ribbon Set Shaft		1			
3-14	FAF-0046001	Shaft Holder B-F6-51		2	B		
3-15	FMCB0069802	Head Up Link (L)		1			
3-16	FAF-0046002	Shaft Holder B-F6-23		2	B		
3-17	FMQB0042501	Head-up Spring		1			
3-18	FMBC0044201	Head Bracket Ass'y		1			
3-19	FMBC0044302	Print Head		1	A		
	FMBC0044303		Changed:10/'98				
	FMBC0101903		Changed:10/'02				
	FMBC0044303		Changed:11/'03				
	FMBC0044307	Print Head KCE-171-12PAJ2-TEC	Changed:6/'05				
	FMBC0044304	Print Head KCE-213-12MPT2-TEB	Service Part	1	A		
			Added:7/'99				
	FMBC0101904		Changed:10/'02				
	FMBC0044304		Changed:11/'03				
3-20	FMDB0057501	Bracket Shaft		1			
3-21	FMBC0041802	Head Harness		1	E		
3-22	FMCB0069902	Head Up Link (R)		1			
3-23	FMHD0006801	Print Head Side Plate		1			
3-24	FAF-0048001	Shaft Holder B-F4-36		2	B		
3-25	FMCB0076001	Pinch Roller Up Link		1			

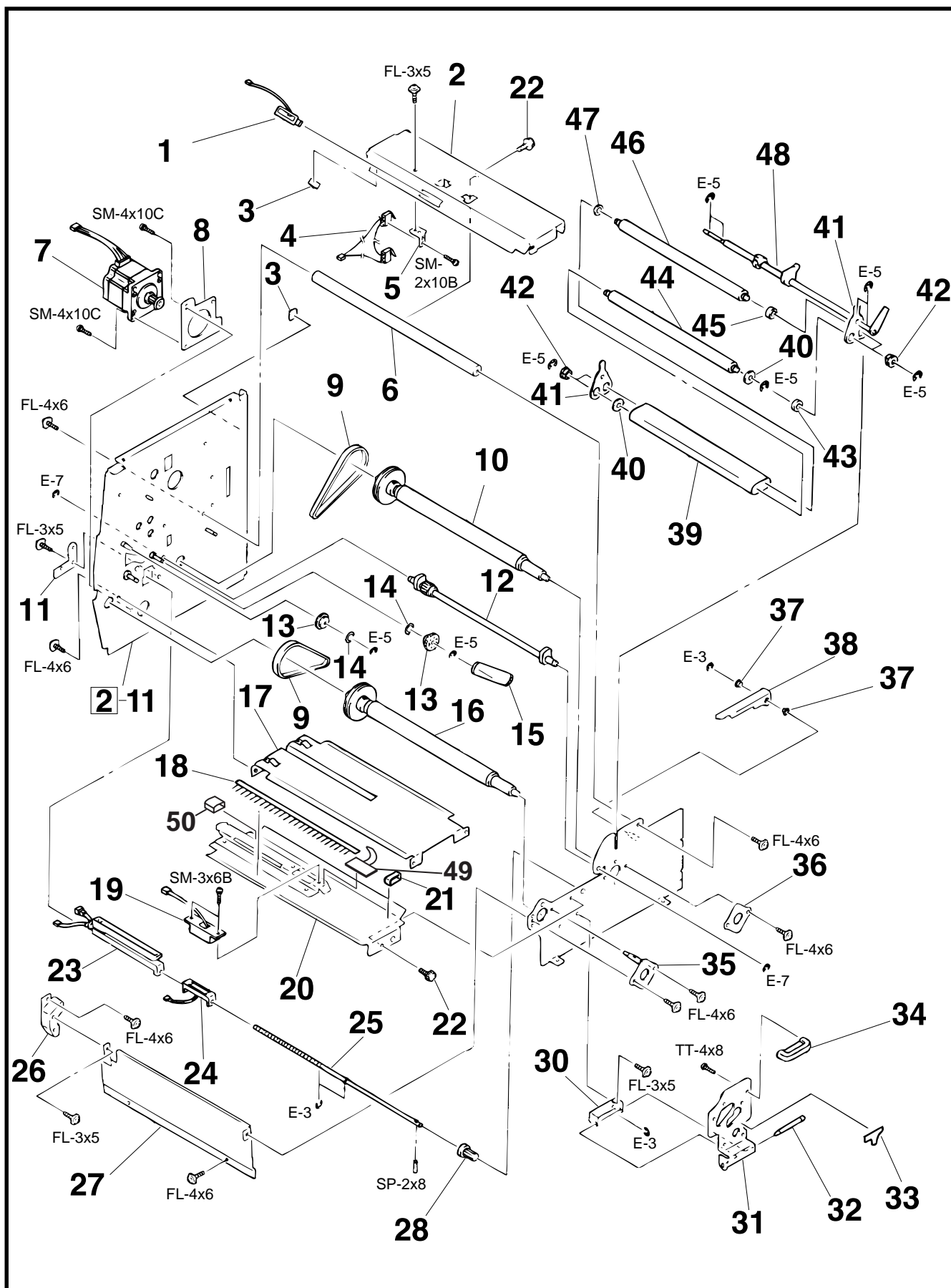
*1: Q'ty/Unit *2: Recommended Parts *3: Revised Record *4: New Parts

3**PRINT HEAD BLOCK 2/2**

Ref.No.	Part No.	Description	Remarks	*1	*2	*3	*4
3-26	FFC-0035001	Cushion TM-166		1			○
3-28	FMBB0038701	Ribbon End Sensor (TR)		1	B		
3-29	FMGD0000501	Print Head Top Frame		1			
3-30	FMEB0097301	Head Up Spring Plate		1			
3-31	FMEB0094701	Blind Plate (R)		1			
3-32	FMEB0094601	Blind Plate (L)		1			
3-33	DDA-0122001	Ferrite Core TFC-23-11-14		1			
3-34	24081600000	Cable Band ALT096S TC-100		1			
3-35	FMBC0067801	8 DRAM PC Board Ass'y (SERV No. B-249-01)	Service Part Added:11/'97				
3-36	FMBC0081101	Stabilizer Kit	Service Part Added:7/'99	1			

*1: Q'ty/Unit *2: Recommended Parts *3: Revised Record *4: New Parts

4 PLATEN BLOCK



4 PLATEN BLOCK 1/2

Ref.No.	Part No.	Description	Remarks	*1	*2	*3	*4
4- 1	FMBB0038601	Ribbon End Sensor (LED)		1	B		
4- 2	FMED0021703	Pinch Roller Bracket		1			
4- 3	24088100910	Cord Clamp K-103G		2			
4- 4	FMBB0038001	Head-up Switch		1	E		
4- 5	FMEB0094801	Head-up switch Plate		1			
4- 6	FMDC0007301	Main Frame Fulcrum Shaft A		1			
4- 7	FMBB0040701	Stepping Motor		1	E		
4- 8	FMEB0094501	Motor Bracket		1			
4- 9	FCA-0094001	Timing Belt 60S2M250		2	B		
4-10	FMBC0044601	Feed Roller Ass'y		1	B		
4-11	FMEB0096801	Sensor Fixing Plate		1			
4-12	FMBC0045401	Pinch Roller Cam Shaft		1			
4-13	FMHB0017801	Pinch Roller Gear		2	D		
4-14	FMEB0095201	Gear Washer		2			
4-15	FCA-0093001	Timing Belt 40S3M201		1	B		
4-16	FMBC0044501	Platen Ass'y		1	B		
4-17	FMCD0015401 FMCD0015402	Media Guide Lower Cover	Changed:6/2000	1			
4-18	FMQB0045801	Brush (225mm)		1			
4-19	FMBB0038501	Media Sensor 2 (TR)		1	B		
4-20	FMCD0015502	Media Sensor Plate		1			
4-21	FDD-0134001 FDA-0005001	Cord Clamp TMC-6 Cord Clamp MSC-1	Corrected: 1/2001	1			
4-22	24BX6010405	White Screw M-4x5		2	A		
4-23	FMBB0038301	Media Sensor 1 Ass'y		1	B		
4-24	FMBB0038401	Media Sensor 2 (LED)		1	B		
4-25	FMDC0007101	Media Sensor Shaft		1			
4-26	FMEC0052801 FMEC0052802	Gear Cover	Changed:1/'99	1			
4-27	FMED0027601 FMED0027602	Front Plate	Changed:1/'99	1			○
4-28	FMHB0018101	Knob		1			
4-30	FMEB0090801	Head Holder Plate B		1			
4-31	FMCB0069701	Head Holder Plate A		1			
4-32	FMDB0056501	Holder Plate Shaft		1			
4-33	FMMB0045302	Media Sensor Label		1			
4-34	FMHC0009501	Head Holder Knob		1			
4-35	FMCB0069501	Platen Positioning Plate		1			

*1: Q'ty/Unit *2: Recommended Parts *3: Revised Record *4: New Parts

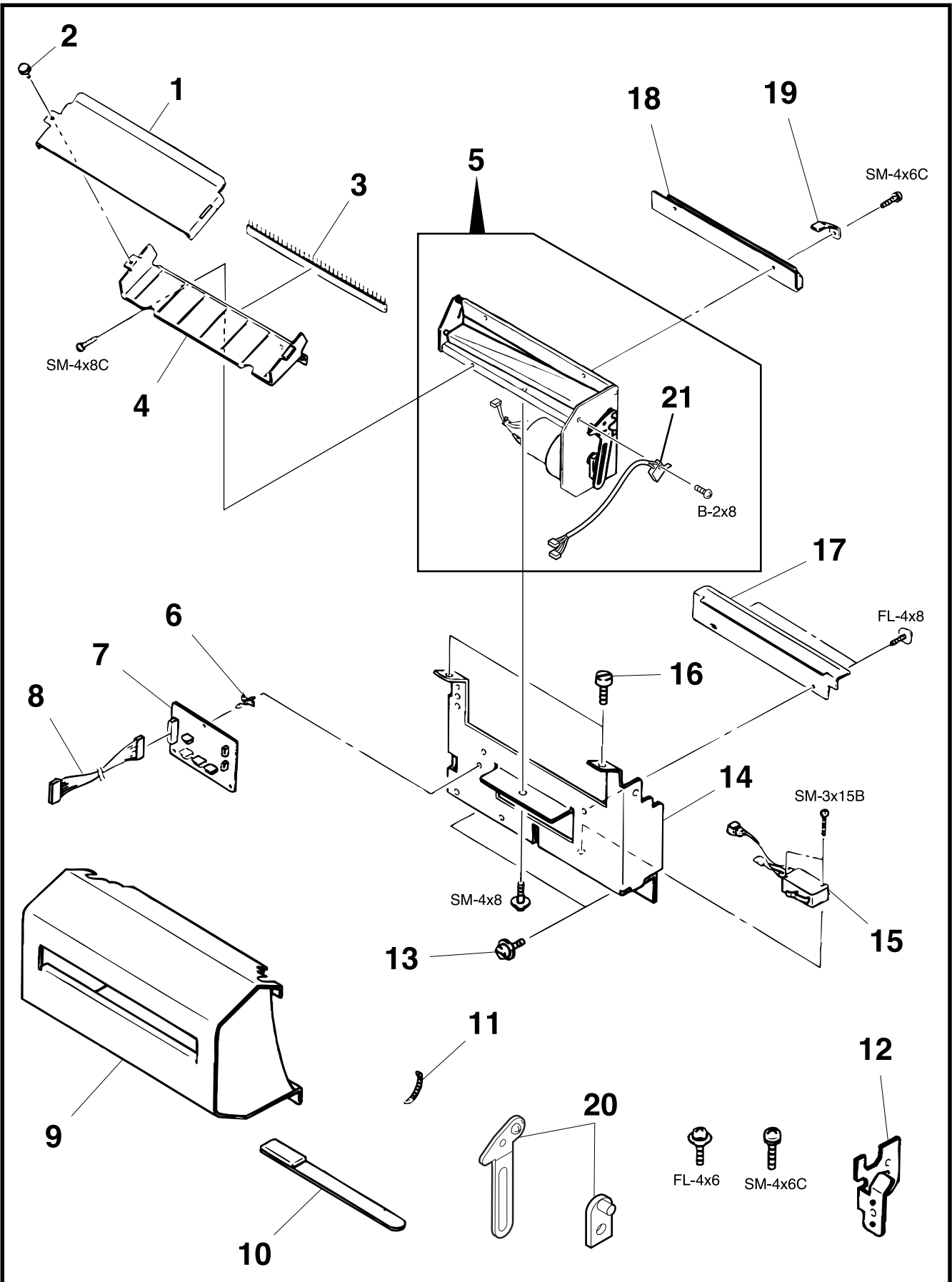
4

PLATEN BLOCK 2/2

Ref.No.	Part No.	Description	Remarks	*1	*2	*3	*4
4-36	FMCB0069601	Pinch Roller Positioning Plate		1			
4-37	FAF-0048001	Shaft Holder B-F4-36		2	B		
4-38	FMCB0076001	Pinck Roller Up Link		1			
4-39	FMQB0044901	Roller Belt		1	B		
4-40	FMEB0100901	Pinch Roller Washer		2			
4-41	FMEB0094902 FMEB0126201	Pinch Roller Holder	Changed:5/'99	2			
4-42	FAF-0055001	Shaft Holder B-F6-3		4	B		
4-43	FMDB0063701	Pinch Roller Spacer B		1			
4-44	FMDC0008701	Pinch Roller (L)		1			
4-45	FMDB0063601	Pinch Roller Spacer A		1			
4-46	FMDC0008801	Pinch Roller (R)		1			
4-47	FMDB0063801	Pinch Roller Spacer C		1			
4-48	FMBC0044901	Pinch Roller Lever Ass'y		1			
4-49	24088100910	Cord Keep K-103G	Corrected: 1/2001	1			
4-50	FDD-0039001	Cable Clip SC-0507	Added:1/2001	1			

*1: Q'ty/Unit *2: Recommended Parts *3: Revised Record *4: New Parts

5 CUTTER MODULE (B-4208-QM)

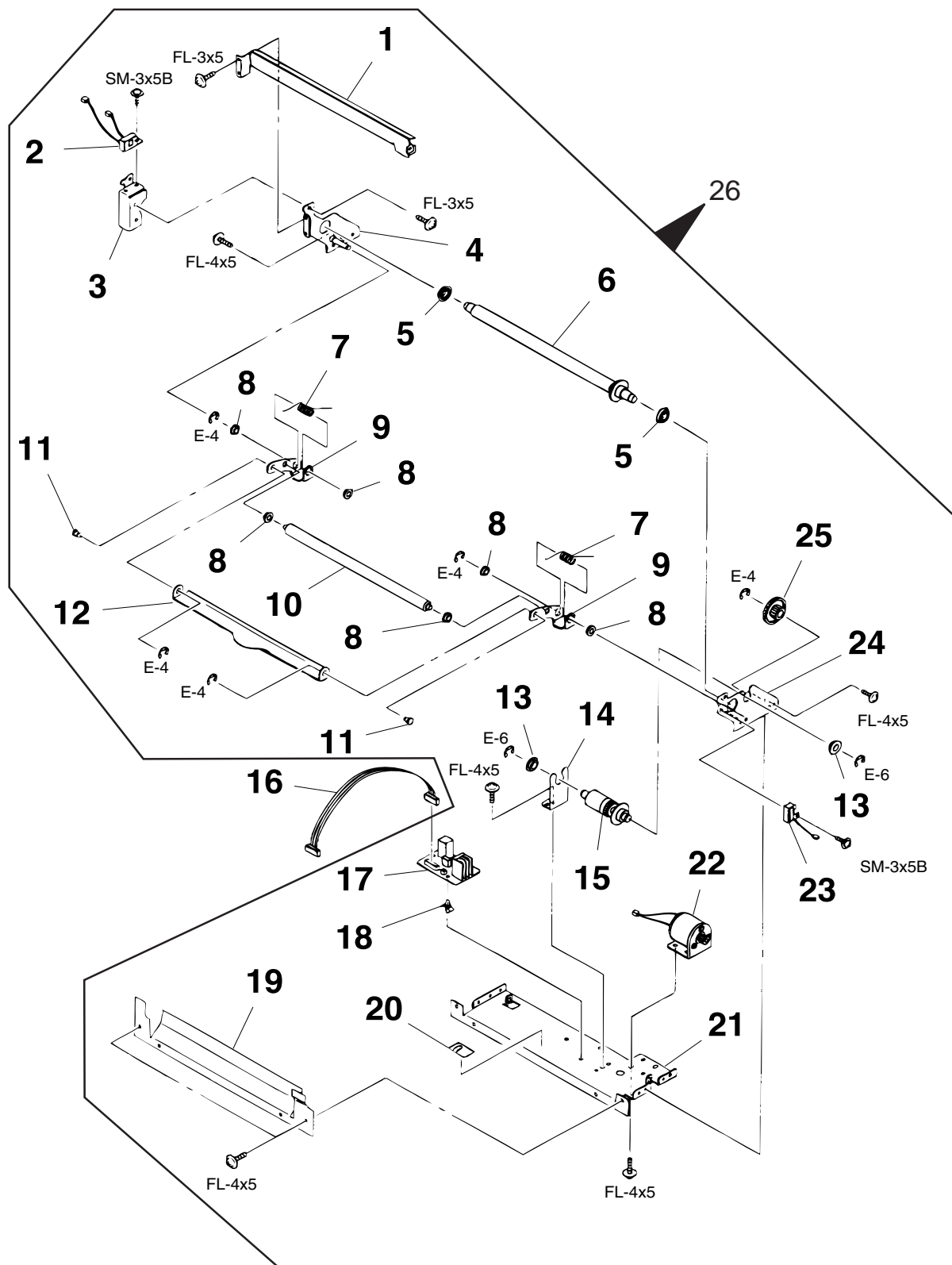


5	CUTTER MODULE (B-4208-QM)
----------	----------------------------------

Ref.No.	Part No.	Description	Remarks	*1	*2	*3	*4
5- 1	FMBC0047302	Media Guide B		1			
5- 2	24741710304	White Screw M-3x4		1	A		
5- 3	FMQB0043601	Brush 235 mm		1			
5- 4	FMCC0029902	Media Guide A		1			
5- 5	GM-0065001 GO-00413000	Cutter Unit	Changed:8/'06	1	E		
5- 6	FDB-0044001	Locking Support LCBT-3S		3			
5- 7	FMBB0034301	CUT I/F PC Board Ass'y (Service No. B-199-01)		1	E		
5- 8	FMCB0056602	Take-up/Cutter Harness		1	E		
5- 9	FMBC0047401	Cutter Cover		1			
5-10	HP02B026100	Cleaner		1	A		
5-11	24081600000	Cable Band ALT096S TC-100		2			
5-12	FMEB0103501	Cutter Support		1			
5-13	FMDB0056601	Cutter Attaching Screw		2	A		
5-14	FMEE0012501	Cutter Attaching Plate		1			
5-15	FMBB0034401	Cover Open Switch		1	E		
5-16	HDA-0038001	Cover Holding Screw		2	A		
5-17	FMEC0044202 FMEC0044203 FMCC0056701	Cutter Guide (Lower)	Changed:10/'99 Changed:11/2000	1			
5-18	FMEC0046601	Cutter Guide (Upper)		1			
5-19	FMEB0091201	Cutter Release Lever		1			
5-20	ZBA-1464001	Arm and Clutch Kit	Service Part				
5-21	ZBA-2095003	Cutter Micro Switch Ass'y		1			

*1: Q'ty/Unit *2: Recommended Parts *3: Revised Record *4: New Parts

6 STRIP MODULE (B-4908-H-QM)



6	STRIP MODULE (B-4908-H-QM)
----------	-----------------------------------

Ref.No.	Part No.	Description	Remarks	*1	*2	*3	*4
6-1	FMCC0030801	Strip Plate (H)		1			
6-2	FMBB0044601	Strip Sensor (TR)		1	B		
6-3	FMEC0047201	Strip Gear Cover		1			
6-4	FMCB0076101	Strip Roller Frame (L)		1			
6-5	FAA-0056001	Shaft Holder LNR-1680HHR		2	B		
6-6	FMBB0044801	Strip Roller Ass'y		1	B		
6-7	FMQB0047401	Strip Torsion Spring		2			
6-8	FAF-0055001	Shaft Holder B-F6-3		6	B		
6-9	FMEB0104201	Backing Paper Holder Plate		1			
6-10	FMDC0009201	Backing Paper Holder		1			
6-11	FMDB0064001	Release Bar Shaft		2			
6-12	FMEC0046901	Backing Paper Release Bar		1			
6-13	HDA-0034001	Shaft Holder B-F8-8		2	B		
6-14	FMEB0104101	Strip Limiter Plate		1			
6-15	FMBB0045001 FMBB0045002	Strip Limiter Gear	Changed:1/'07	1	D		
6-16	FMCB0056602	Take-up Harness		1	E		
6-17	FMBB0046901	PWM PC Board Ass'y (SERV. No. B-201-03)		1	D		
6-18	FDB-0044001	Locking Support LCBT-3S		3			
6-19	FMED0025801	Strip Media Guide		1			
6-20	24088100910	Clamp K-103G		1			
6-21	FMEE0012601	Strip Module Base		1			
6-22	FMBB0044901	Strip Feed Motor		1	E		
6-23	FMBB0044701	Strip Sensor (LED)		1	B		
6-24	FMCB0076201	Strip Roller Frame (R)		1			
6-25	FMHB0016301	Idle Gear A		1			
6-26	FMBE0008801	Strip Unit	Added:9/'06	1			

*1: Q'ty/Unit *2: Recommended Parts *3: Revised Record *4: New Parts

7 MISCELLANEOUS PARTS 1/2

Ref.No.	Part No.	Description	Remarks	*1	*2	*3	*4
SM-2x10B	24BB0010210	Sems Screw SM-2x10B					
SM3x5B	24BB0010305	Sems Screw SM-3x5B					
	24BB0040305	Sems Screw SM-3x5B	Nickel				
SM-3x5C	24BP0040305	Sems Screw SM-3x5C					
SM-3x6B	24BB0010306	Sems Screw SM-3x6B					
	24BB0040306	Sems Screw SM-3x6B	Nickel				
SM-3x15B	24BB0010315	Sems Screw SM-3x15B					
SM-4x6B	24BB0040406	Sems Screw SM-4x6B	Nickel				
SM-4x6C	24BP0010406	Sems Screw SM-4x6C					
SM-4x8B	24BB0010408	Sems Screw SM-4x8B					
	24BB0040408	Sems Screw SM-4x8B	Nickel				
SM-4x8C	24BP0010408	Sems Screw SM-4x8C					
SM-4x10C	24BP0010410	Sems Screw SM-4x10C	Nickel				
FL-3x4	24B50010304	Flanged Screw FL-3x4					
FL-3x5	24B50040305	Flanged Screw FL-3x5	Nickel				
	24B50010305	Flanged Screw FL-3x5					
FL-4x5	24B50010405	Flanged Screw FL-4x5					
	24B50040405	Flanged Screw FL-4x5	Nickel				
FL-4x6	24B50040406	Flanged Screw FL-4x6	Nickel				
	24B50010406	Flanged Screw FL-4x6					
FL-4x8	24B50010408	Flanged Screw FL-4x8					
FLTT-3x5	24A16750305	S-TITE Flanged Screw FLTT-3x5	Nickel				
B-2x8	24B05040208	Bind Screw B-2x8					
B-3x8	24B05040308	Bind Screw B-3x8	Nickel				
B-4x4	24B05040404	Bind Screw B-4x4					
B-4x6	24B05040406	Bind Screw B-4x6	Nickel				
TT-2x6	24A17010206	Tap Tight Screw TT-2x6					
TT-3x8	24A17010308	Tap Tight Screw TT-3x8					
TT-4x6	24A17010406	Tap Tight Screw TT-4x6					
TT-4x8	24A17040408	Tap Tight Screw TT-4x8					
P-3x8	24B00010308	Pan Head Screw P-3x8					
D-3x6	24B01010306	Dish Head Screw D-3x6					
E-2	24A64050020	E-type Retaining Ring E-2					
E-3	24A64050030	E-type Retaining Ring E-3					
E-4	24A64050040	E-type Retaining Ring E-4					
E-5	24A64050050	E-type Retaining Ring E-5					
E-6	24A64050060	E-type Retaining Ring E-6					
E-7	24A64050070	E-type Retaining Ring E-7					

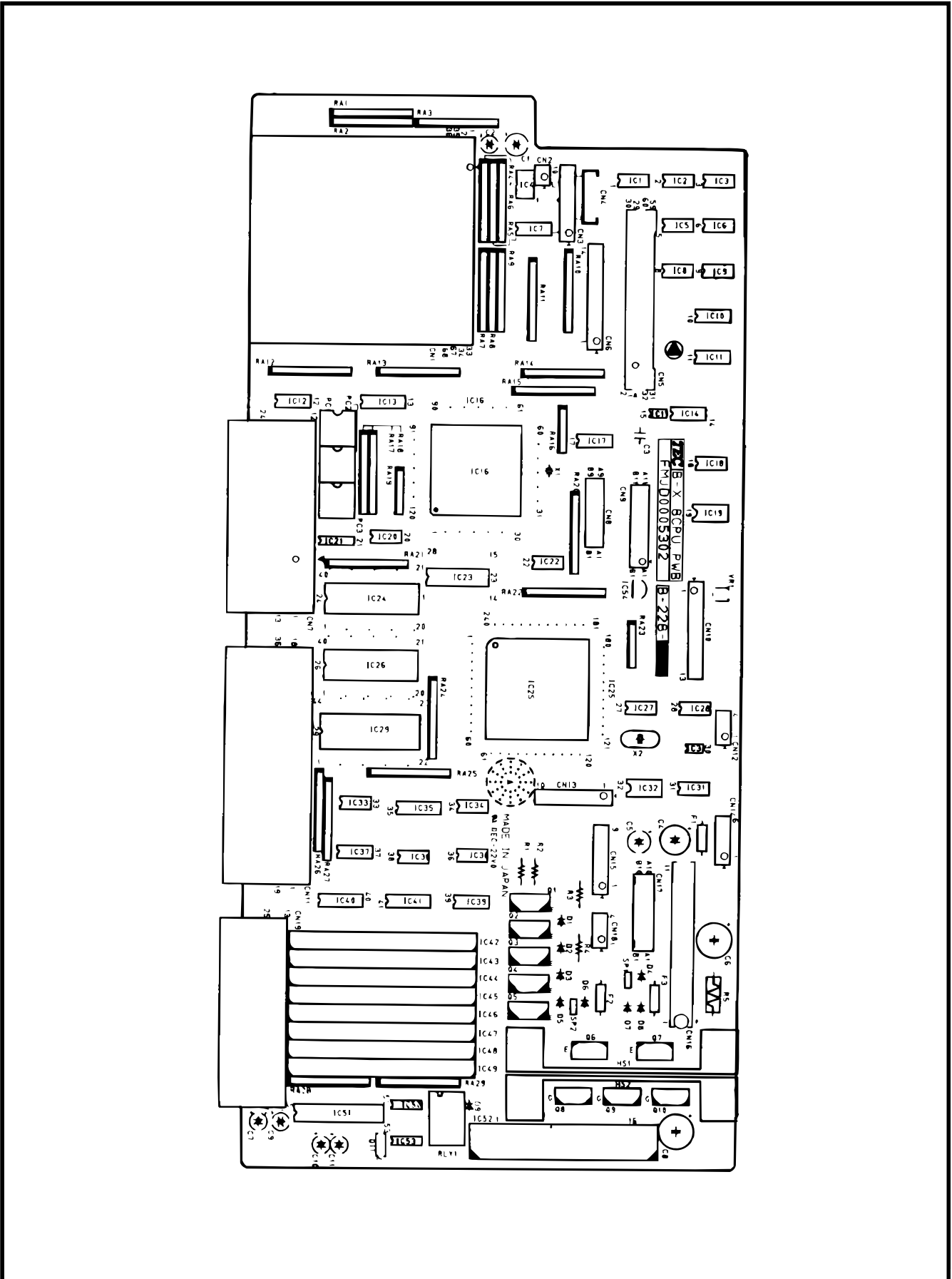
*1: Q'ty/Unit *2: Recommended Parts *3: Revised Record *4: New Parts

7 MISCELLANEOUS PARTS 2/2

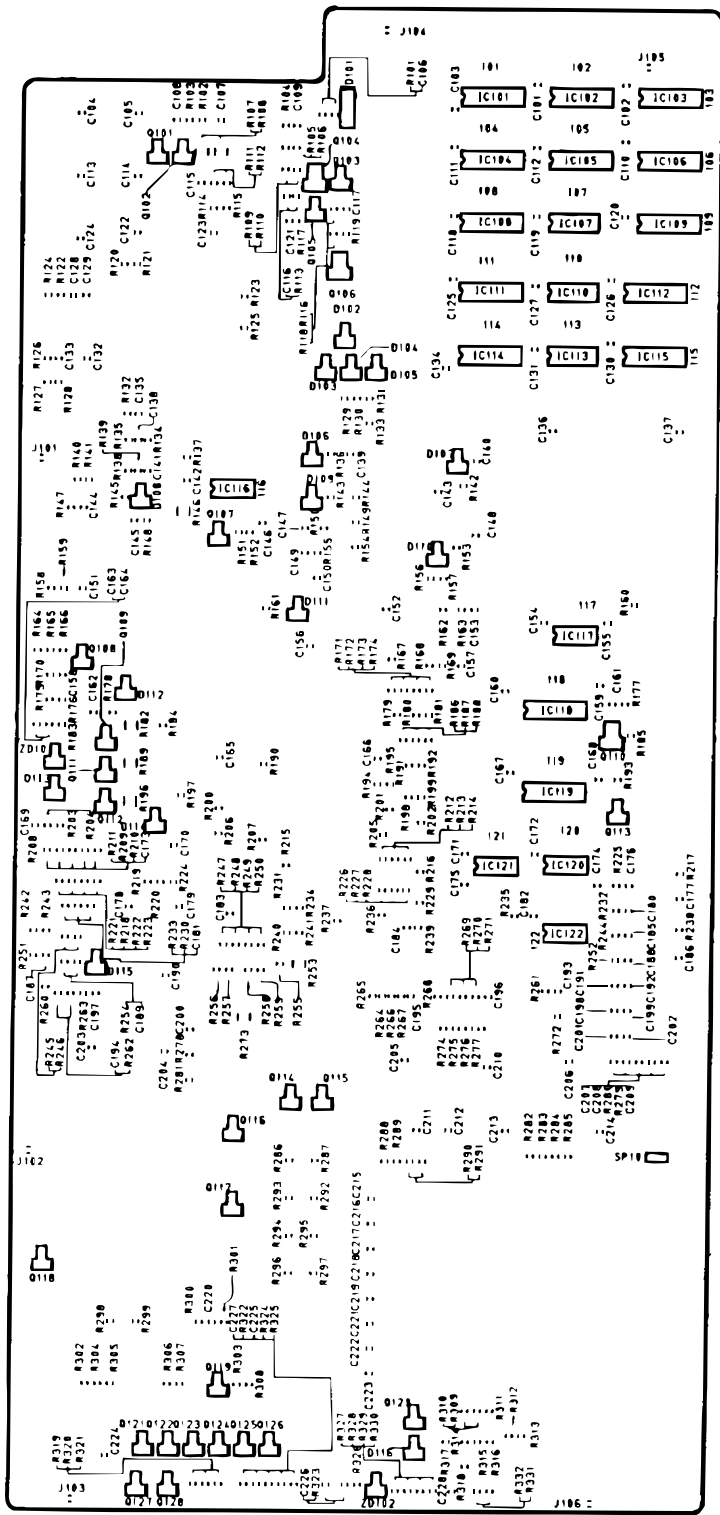
Ref.No.	Part No.	Description	Remarks	*1	*2	*3	*4
E-10	24A64050100	E-type Retaining Ring E-10					
W-6	24A62101060	Washer W-6					
W-8	24A62101080	Washer W-8					
SW-6	24A60001060	Spring Washer SW-6					
TW-4	24A61101040	Toothed Washer TW-4					
N-6	24A40010600	Nut N-6					
SP-2x8	24A74040208	Spring Pin SP-2x8					

*1: Qty/Unit *2: Recommended Parts *3: Revised Record *4: New Parts
 B7-2

1 CPU PC BOARD ASS'Y 1/2



1 CPU PC BOARD ASS'Y 2/2



1	CPU PC BOARD ASS'Y 1/9
----------	-------------------------------

Ref.No.	Part No.	Description	Remarks	*1	*2	*3	*4
	FMBC0043407	CPU PC Board Ass'y (SERV No. B-228-17)	QP	1	E		○
	FMBC0043408	CPU PC Board Ass'y (SERV No. B-228-18)	QQ	1	E		○
IC1	CAM-008608A CO-08359001	CMOS IC TC74AC86F TC74AC86F(EL F)	Changed:9/'05	1	E		R
IC2,6,20,38	CAM-003208A CO-08353001	CMOS IC TC 74AC32F TP1 TC74AC32F(EL F)	Changed:9/'05	4	E		R
IC3	CAM-000402A CO-08387001	CMOS IC TC74HC04AF TP1 TC74HC04AF(EL F)	Changed:9/'05	1	E		R
IC4	CAG-0541001 CO-11846000	Linear IC LT1109ACS8-12 LT1109ACS8-12#PBF	Changed:9/'05	1	E		
IC5,33,117	CO-08505001	TC74HC74AF(EL F)	Added:9/'05	3	E		R
IC7,37,39	CAM-015708A CO-08346001	CMOS IC TC74AC157F TC74AC157F(EL F)	Changed:9/'05	3	E		R
IC8,34,36	CAM-000808A CO-08340001	CMOS IC TC74AC08F TP1 TC74AC08F(EL F)	Changed:9/'05	3	E		R
IC9	CAM-012502G CO-03487001	CMOS IC MC74HC125F MC74HC125AFEL	Changed:9/'05	1	E		R
IC10	CAM-012302A CO-08402001	CMOS IC TC 74HC123AF TP1 TC74HC123AF(EL F)	Changed:9/'05	1	E		R
IC11,14,17	CAN-005102E CO-09797001	CMOS IC BU4051BF BU4051BCF-T1	Changed:9/'05	3	E		R
IC12,113	CAM-017402A CO-08434001	COMS IC TC74HC174AF TP1 TC74HC174AF(EL F)	Changed:9/'05	2	E		R
IC13	CAM-057302A CO-08495001	COMS IC TC 74HC573AF TC74HC573AF(EL F)	Changed:9/'05	1	E		R
IC15,30	CAG-0185001 CO-09754001	Linear IC BA10393F T1 BA10393F-E2	Changed:9/'05	2	E		R
IC16	CAA-0249001 CO-03339000	CPU μPD70236AGD-16-5BB	Changed:9/'05	1	E		
IC18	CAG-0439001 CO-05264001	Linear IC M62354FP M62354FP 70ND	Changed:9/'05	1	E		
IC19	CAG-0147001	A/D Converter TC35098P		1	E		
IC21	CBB-0022001 CO-01434001	XISTOR. Array TD62004F TD62004F(TP1)	Changed:9/'05	1			
	CO-11201001	TD62004AFG(S EL)	Added:9/'05				
IC22	CAM-000408A CO-08339001	CMOS IC TC74AC04F TP1 TC74AC04F(EL F)	Changed:9/'05	1	E		R
IC23	CAB-0346001	Motor Driver RF5C86	Deleted:9/'05	1	E		
IC24,26	CAD-0286001	Flash ROM M5M28F102AFP-10		2	E		
IC25	CAJ-0294001	Gate Array EC-M100		1	E		
	CO-13919000	EC-M100 UPD65802GN01LMUA	Added:11/'06				
IC27	CAM-000406A CO-08535001	CMOS IC TC74HCU04AF TP1	Changed:9/'05	1	E		R
IC28,31,116	CAG-0578001 CO-02493001	Linear IC LM324NS LM324ANSR	Changed:9/'05	3	E		

*1: Qty/Unit *2: Recommended Parts *3: Revised Record *4: RoHS

1

CPU PC BOARD ASS'Y 2/9

Ref.No.	Part No.	Description	Remarks	*1	*2	*3	*4
IC29	CAE-0097001	Mask ROM EC-M119		1	E		
IC32	CAD-0149002	EE-PROM ST93C46AB1		1	E		
	C0-04552000	M93C46-BN6	Added:9/'05				
	C0-12151000	M93C46-WBN6P	Added:5/'06				R
	C0-13390000	AT93C46-10PU-1.8	Added:5/'06				
	EAA-2390001	IC Socket 2-641260-3		1			
	E0-00140000		Changed:9/'05				
IC35,108,109, 114	CAM-024408A	CMOS IC TC74AC244F		4	E		
	C0-08350001	TC74AC244F(EL F)	Changed:9/'05				R
IC40,41,103, 115,118,119	CAM-024508A	CMOS IC TC74AC245F TP2		6	E		
	C0-08351001	TC74AC245F(EL F)	Changed:9/'05				R
IC44~47	EAA-2389001	IC Socket 90510-0140		4			
	E0-02774000		Changed:9/'05				
IC48,49	CAC-0293001	D-RAM HM514260AZ-7		2	E		
	CAC-0368003	D-RAM HM514260CZ-7					
IC50, 53	CAG-0438001	Linear IC μ PC844G2		2	E		
	C0-07406001	UPC844G2-T1-A	Changed:9/'05				R
IC51	CAH-0055001	CMOS IC MC145407P		1	E		
	C0-03427000		Changed:9/'05				
	EAB-0076001	IC Socket 2-641264-3		1			
	E0-01178000		Changed:9/'05				
IC52	CAK-0056001	Hybrid IC STK6712AMK4		1	E		
	C0-10337000	STK6712AMK4-E	Changed:9/'05				R
IC54	CAG-0524001	Linear IC PST600D		1	E		
	C0-04374000	PST600D-2	Changed:9/'05				
IC101,104,111	2420SAL244S	TTL IC SN74ALS244NS		3	E		
IC102	CAF-057408F	TTL IC SN74ALS574BNS		1	E		
	C0-11385001	SN74ALS574BNSR	Changed:9/'05				R
IC105,106	CAF-024508F	TTL IC SN74ALS245ANS		2	E		
	C0-11364001	SN74ALS245ANSR	Changed:9/'05				R
IC107,110	CAM-013808A	CMOS IC TC74AC138F TP1		2	E		
	C0-08343001	TC74AC138F(EL F)	Changed:9/'05				R
IC112	CAM-056402G	CMOS IC MC74HC564F		1	E		
IC120,122	CAF-001407F	TTL IC SN74LS14NS SR05		2	E		
	C0-11544001	SN74LS14NSR	Changed:9/'05				R
IC121	CAF-000606F	TTL IC SN7406NS SR05		1	E		
	C0-11290001	SN7406NSR	Changed:9/'05				R
Q1,2,5	CBA-0414001	NPN XISTOR. 2SD1904S		3			
	C0-10852000	NPN XISTOR. 2SD1904S-E	Changed:9/'05				R
Q3,4	CBA-0327001	PNP XISTOR. 2SB1268		2			
	C0-10840000	PNP XISTOR. 2SB1268-E	Changed:9/'05				R
Q6,7	CBA-0326001	NPN XISTOR. 2SD1838		2			
	C0-10850000		Changed:9/'05				R
Q8~10,12~14	CBA-0332001	FET XISTOR. 2SJ295	Deleted:9/'05	3			
	CBQ-0125001	FET XISTOR. 2SJ334		6			
	C0-08728000	FET XISTOR. 2SJ334(F)	Changed:9/'05				R
	CBA-0332001	FET XISTOR. 2SJ295					
	CBQ-0126001	2SJ376	Added:9/'05				

*1: Qty/Unit *2: Recommended Parts *3: Revised Record *4: RoHS

1 CPU PC BOARD ASS'Y 3/9

Ref.No.	Part No.	Description	Remarks	*1	*2	*3	*4
Q11	2422SD01802 C0-07883000	Chip XISTOR. 2SD1802 Chip XISTOR. 2SD1802S/T-E	Changed:9/'05	1			
Q101~103,105, 113~121,123, 125,127	24220200310 C0-07391001	Chip XISTOR. FA1A4M-T1B Chip XISTOR. FA1A4M-T1B-A	Changed:9/'05	16			R
Q104,106,110	24220100060 C0-07376001	Chip XISTOR. 2SB1115-T1 Chip XISTOR. 2SB1115-T1-AZ	Changed:9/'05	3			R
Q107~109,111, 112	24220200320 C0-07352001	Chip XISTOR. 2SC1621-T1B Chip XISTOR. 2SC1621-T1B-A	Changed:9/'05	5			R
Q122,124,126, 128	24220100050 C0-07392001	Chip XISTOR. FN1A4M-T1B <Chip RSTR.>	Changed:9/'05	4			R
R101,103,111, 113,114,118, 162,165,170, 177,183~185, 217,225,232, 238,244,245, 252,278,280, 317	DBK-102JA4J D0-14810001	CRG10GJ102T 1Kohm RK73B2ATTD102J 1Kohm	Changed:9/'05	23			R
R104,106	DBK-102FA4J D0-14628001	CRG10GF102T 1Kohm RK73H2ATTD1001F 1Kohm	Changed:9/'05	2			R
R105,251	DBK-681FA4J D0-14699001	CRG10GF681T 680ohm RK73H2ATTD6800F 680ohm	Changed:9/'05	2			R
R102,112,115, 124,132,156~ 158,161,163, 175,203,208, 230,235,261, 264,266,272, 281,286,292, 294,295,297, 306,310,315, 318,326,328	DBK-103JA4J D0-14818001	CRG10GJ103T 10Kohm RK73B2ATTD103J 10Kohm	Changed:9/'05	31			R
R107,253,273	DBK-221JA2J D0-12109001	CRG4GJ221T 220ohm CRG4GT221J 220ohm	Changed:9/'05	3			
R108	DBK-111JA2J D0-01503001	CRG4GJ111T 110ohm CRG4GT111J 110ohm	Changed:9/'05	1			
R109,242	DBK-222FA4A D0-19766001	MCR10EZH2201 2.2Kohm	Changed:9/'05	2			R

*1: Qty/Unit *2: Recommended Parts *3: Revised Record *4: RoHS

1	CPU PC BOARD ASS'Y 4/9
---	-------------------------------

Ref.No.	Part No.	Description	Remarks	*1	*2	*3	*4
R110,119~121, 129~131,133, 136,142~144, 149,150,153, 154,167~169, 171~174,178~ 181,186~188, 191,192,194, 195,197~199, 201,202,205, 207,212~216, 220,226~229, 231,234,236, 237,239~241, 247~250,256~ 259,268,~270, 274~277,282~ 285,288~291	DBK-470JA4J D0-14857001	<Chip RSTR.> GRG10GJ470T47ohm RK73B2ATTD470J47ohm	Changed:9/05	81			R
R116,166,313	DBK-332JA4J D0-14845001	GRG10GJ332T3.3Kohm RK73B2ATTD332J3.3Kohm		3			R
R117,122,135, 193,321,325	DBK-682JA4J D0-14866001	GRG10GJ682T6.8Kohm RK73B2ATTD682J6.8Kohm	Changed:9/05	6			R
R123	DBK-152JA4J D0-14813001	GRG10GJ152T1.5Kohm RK73B2ATTD152J1.5Kohm	Changed:9/05	1			R
R125,311	DBK-432JA4J	GRG10GJ432T4.3Kohm		2			
R126,147	DBK-103FA4J D0-14638001	GRG10GF103T10Kohm RK73H2ATTD1002F10Kohm	Changed:9/05	2			R
R127,260	DBK-563FA4J	CRG10GF563T56Kohm		2			
R128,137	DBK-203JA4A D0-19935001	MCR10EZHJ20320Kohm MCR10EZHJ20320Kohm	Changed:9/05	2			R
R134,139,148, 159,302,312	DBK-472JA4J D0-14856001	GRG10FJ472T4.7Kohm RK73B2ATTD472J4.7Kohm	Changed:9/05	6			R
R138	DBK-224JA4J D0-14839001	GRG10GJ224T220Kohm RK73B2ATTD224J220Kohm	Changed:9/05	1			R
R140,141,323	DBK-273JA4A D0-19951001	MCR10EZHJ27327Kohm MCR10EZHJ27327Kohm	Changed:9/05	3			R
R145	DBK-563JA4J	CRG10GJ563T56Kohm		1			
R146,182,189, 196	DBK-151JA1A D0-20306001	MCR50JZHJ151150ohm	Changed:9/05	4			R
R151,218	DBK-163JA4J	CRG10GJ163T16Kohm		2			
R152,221	DBK-223JA4J D0-14840001	GRG10GJ223T22Kohm RK73B2ATTD223J22Kohm	Changed:9/05	2			R
R155	DBK-330JA4J D0-14847001	GRG10GJ330T33ohm RK73B2ATTD330J33ohm	Changed:9/05	1			R
R164,331	DBK-560JA4J D0-14862001	GRG10GJ560T56ohm RK73B2ATTD560J56ohm	Changed:9/05	2			R
R176,254	DBK-104JA4J D0-14817001	GRG10GJ104T100Kohm RK73B2ATTD104J100Kohm	Changed:9/05	2			R
R190,255	DBK-912JA4A D0-20018001	MCR10EZHJ9129.1Kohm MCR10EZHJ9129.1Kohm	Changed:9/05	2			R

*1: Qty/Unit *2: Recommended Parts *3: Revised Record *4: RoHS

1	CPU PC BOARD ASS'Y 5/9
---	-------------------------------

Ref.No.	Part No.	Description	Remarks	*1	*2	*3	*4
R200,330,J102	DBK-000JA4A D0-19898001	MCR10EZHJ0000ohm	Changed:9/05	3			R
R204	DBK-564JA4J D0-14864001	CRG10GJ564T560Kohm RK73B2ATTD564J560Kohm	Changed:9/05	1			R
R209,223	DBK-153FA4A D0-19737001	MCR10EZHJ150215Kohm	Changed:9/05	2			R
R210,222	DBK-113FA4A D0-19711001	MCR10EZHJ110211Kohm MCR10EZHJ110211Kohm	Changed:9/05	2			R
R211	DBK-222JA4A	CRG10GJ222T2.2Kohm		1			
R219	DBK-105JA4J D0-14834001	CRG10GJ105T1Mohm RK73B2ATTD105J1Mohm	Changed:9/05	1			R
R233	DBK-334JA4J D0-14849001	CRG10GJ334T330Kohm RK73B2ATTD334J330Kohm	Changed:9/05	1			R
R243,319,320	DBK-392FA4J D0-14670001	CRG10GF392T3.9Kohm RK73H2ATTD3901F3.9Kohm	Changed:9/05	3			R
R246	DBK-362JA4J	<Chip RSTR.> CRG10GJ362T3.6Kohm		1			
R262,263,316	DBK-153JA4J D0-14829001	CRG10GJ153T15Kohm RK73B2ATTD153J15Kohm	Changed:9/05	3			R
R271	DBK-200JA4J	CRG10GJ200T20ohm		1			
R279,327,329	DBK-101JA4J D0-14816001	CRG10GJ101T100ohm RK73B2ATTD101J100ohm	Changed:9/05	3			R
R287	DBK-271JA4J D0-14842001	CRG10GJ271T270ohm RK73B2ATTD271J270ohm	Changed:9/05	1			R
R293,296	DBK-471JA4J D0-14858001	CRG10GJ471T470ohm RK73B2ATTD471J470ohm	Changed:9/05	2			R
R298,300	DBK-221JA4J D0-14838001	CRG10GJ221T220ohm RK73B2ATTD221J220ohm	Changed:9/05	2			R
R299,301,324	DBK-683JA4J D0-14870001	CRG10GJ683T68Kohm RK73B2ATTD683J68Kohm	Changed:9/05	3			R
R303	DBK-822JA4J D0-14871001	CRG10GJ822T8.2Kohm RK73B2ATTD822J8.2Kohm	Changed:9/05	1			R
R304,309,314	DBK-333JA4J D0-14850001	CRG10GJ333T33Kohm RK73B2ATTD333J33Kohm	Changed:9/05	3			R
R305,307,308	DBK-100JA4J D0-14815001	CRG10GJ100T10ohm RK73B2ATTD100J10ohm	Changed:9/05	3			R
R322,332	DBK-391JA4J D0-14852001	CRG10GJ391T390ohm RK73B2ATTD391J390ohm	Changed:9/05	2			R
R1,2	DBK-222JA5F D0-00270000	<MOF RSTR.> RSS1/2PJ 2.2Kohm	Changed:9/05	2			
R3,4	DBK-272JA5F D0-00271002	RSS1/252J 2.7Kohm	Changed:9/05	2			
R5	DBK-102JA3G D0-22660000	RSM2FB 1Kohm	Changed:9/05	1			

*1: Qty/Unit *2: Recommended Parts *3: Revised Record *4: RoHS

1	CPU PC BOARD ASS'Y 6/9
---	-------------------------------

Ref.No.	Part No.	Description	Remarks	*1	*2	*3	*4
RA1~15,18,20 ~22,24,25, 27~29	2425240008J	RSTR. Array EXB-F9E103J 10Kohm		24			
RA16,19,23	2425240007J	RSTR. Array EXB-F5E103J 10Kohm		3			
RA17	DBP-0013001	RSTR. Array EXB-F9E471J 470ohm		1			
RA26	DBP-0002003	RSTR. Array EXB-F9E102J 1Kohm		1			
VR1	DBG-0196001 D0-22875001	V. RSTR. RVG4H01-102VM-TC 1Kohm V. RSTR. PVM4A102C01R00 1Kohm	Changed:9/05	1	E		R
D1~8	2421BAM01Z0 C0-09544001	Diode AM01Z Diode AM01ZV1	Changed:9/05	8			R
D9	24210000060 C0-11907000	Diode ERA1501	Changed:9/05	1			R
D101	GBE-0231001 C0-02241001	Diode SB11-04HP-TR	Changed:9/05	1			R
D108,116	GBE-0100001 C0-08894001	Diode 1SS187 TE85L Diode 1SS187(TE85L F)	Changed:9/05	2			R
D113,115	GBN-0022001 C0-02431001	Diode HSM107STL	Changed:9/05	2			
ZD101	GBG-0222001 C0-00435001	Z. Diode 02CZ4.7Y Z. Diode 02CZ4.7-Y(TE85R)	Changed:9/05	1			
ZD102	GBG-0361001 C0-00433001	Z. Diode 02CZ4.3X Z. Diode 02CZ4.3-X(TE85R)	Changed:9/05	1			
C1	DAA-470FM28 DAA-470FM67 D0-03529001	<Electrolytic CAP.> 16SA47M 47μF 16V 16FA47M 47μF 16V 16FA47M-T4 47μF	Changed:10/98 Changed:9/05	1			
C2	DAA-220FM19 DAA-220FM55 D0-03528001	16SA22M 22μF 16V 16FA22M 22μF 16V 16FA22M-T4 22μF	Changed:10/98 Changed:9/05	1			
C4	DAA-221CM17 D0-04065001	CESEM1A221 220μF 10V CESEM1A221-T4 220μF	Changed:9/05	1			
C5	DAA-100FM18 D0-04111001	CESEM1C100 10μF	Changed:9/05	1			
C6	DAA-101MM08 D0-04125001	CESEM1H101A 100μF 50V	Changed:9/05	1			
C7,C9~11	DAA-100HM16 D0-04117001	CESEM1E100 10μF 25V	Changed:9/05	4			
C8	DAA-221MM12	CESEM1H221 220μF 50V		1			
C128,163,189	DAB-102MK05 D0-05660001	<Chip CAP.> GRM40B102K50PT1000pF GRM216B11H102KA01D 1000pF	Changed:9/05	3			R
C145	DAB-561MK06 D0-09190001	GRM40CH561K50PT560pF GRM2162C1H561JA01D 560pF	Changed:9/05	1			R
C149	DAB-050MK02 D0-05685001	GRM40CH050D50PT5pF GRM2162C1H5R0DD01D 5pF	Changed:9/05	1			R

*1: Qty/Unit *2: Recommended Parts *3: Revised Record *4: RoHS

1	CPU PC BOARD ASS'Y 7/9
----------	-------------------------------

Ref.No.	Part No.	Description	Remarks	*1	*2	*3	*4
C176,177,180, 185,186,188, 191,192,198, 199,201,202, 207~209,227	DAB-101MJ17 D0-05691001	<Chip CAP.> GRM40CH10150PT100pF GRM2162C1H101JA01D 100pF	Changed:9/'05	16			R
C101~107,110 ~114,117~122, 124~127,129~ 132,134~137, 139,140,142~ 144,146,148, 150~157,159, 160,165~168, 170~175,181~ 184,190,193, 195~197,203~ 206,210~219, 221~226	DAB-103MK10 D0-05661001	GRM40B103K50PT0.01μ GRM216B11H103KA01D0.01μF	Changed:9/'05	86			R
C108,109,115, 116,123,133, 138,141,158, 161,162,164, 169,187,200, 228	DAB-104MZ11 D0-05722001	<Ceramic CAP> GRM40F104Z50PT0.1μF GRM219F11H104ZA01D0.1μ	Changed:9/'05	16			R
C178,179	DAB-200MJ10 D0-05699001	GRM40CH200J50PT20pF GRM2162C1H200JZ01D20pF	Changed:9/'05	2			R
C194,220	DAB-391MK03 D0-05711001	GRM40CH391J50PT390pF GRM2162C1H391JA01D390pF	Changed:9/'05	2			R
C3	DAC-334MK02 D0-03738000	Film CAP. DTDB1H334K 0.33μF	Changed:9/'05	1			
L1	BDH-0087001 D0-07378001	Inductor CD54-270MC	Changed:9/'05	1			
CN1	EAA-2310001 E0-05875000 24B90010208 X0-00020000 24A40010200 X0-00840000	CONN. CLE9068-1801R Sems Screw SM-2x8 Nut N-2	Changed:9/'05	1	2	2	
CN2	24420201430 E0-00614000	CONN. 53014-0210	Changed:9/'05	1			R
CN3	EAA-0046001 E0-00622000	CONN. 53014-1010	Changed:9/'05	1			R
CN4	EAA-2187001 E0-06791000 E0-09514000	CONN. B7B-PH-K-S CONN. B7B-PH-K-S (LF) CONN. B7B-PH-K-S (LF) (SN)	Changed:9/'05 Changed:11/'06	1			R R
CN5	EAA-2394001 E0-02952000	CONN. 8801-060-170S	Changed:9/'05	1			

*1: Qty/Unit *2: Recommended Parts *3: Revised Record *4: RoHS

1

CPU PC BOARD ASS'Y 8/9

Ref.No.	Part No.	Description	Remarks	*1	*2	*3	*4
CN6	EAA-2387001 E0-01086000	CONN. 53014-1412	Changed:9/05	1			R
CN7	EAA-2304001 E0-08179000	CONN. 57RE-40240-730B(D29A) CONN. 57RE-40240-730B(D29A)-FA	Changed:9/05	1			
CN8	EAA-1507001 E0-02006000	CONN. LY20-18P-DT1-P5 CONN. LY20-18P-DT1-P5E	Changed:9/05 Changed:11/06	1			R
CN9	EAA-2198001 E0-02011000	CONN. LY20-22P-DT1-P5 CONN. LY20-22P-DT1-P5E	Changed:9/05 Changed:11/06	1			R
CN10	EAA-2302001 E0-00624000	CONN. 53014-1310	Changed:9/05	1			R
CN11	EAA-2181001 E0-08181000	CONN. 57RE-40360-730B(D29A) CONN. 57RE-40360-730B(D29A)-FA	Changed:9/05	1			
CN12	24420201530 E0-00616000	CONN. 53014-0410	Changed:9/05	1			R
CN13	EAA-2386001 E0-01083000	CONN. 53014-1012	Changed:9/05	1			R
CN14	24420201540 E0-00618000	CONN. 53014-0610	Changed:9/05	1			R
CN15	EAA-0520001 E0-00621000	CONN. 53014-0910	Changed:9/05	1			R
CN16	24421080286 E0-00679000	<Ceramic CAP> CONN. 5275-11A	Changed:9/05	1			R
CN17	EAA-1486001 E0-02009000	CONN. LY20-20P-DT1-P5 CONN. LY20-20P-DT1-P5E	Changed:9/05 Changed:11/06	1			R
CN18	EAA-2588001 E0-01076000	CONN. 53014-0412	Changed:9/05				R
CN19	EAA-0361018 E0-08165000	CONN. 17LE-13250-27(D4AK) metric type CONN. 17LE-13250-27(D4AK)-FA metric type	QP Changed:9/05	1			
	EAA-0361019 E0-08168000	CONN. 17LE-13250-27(D4CK) inch type CONN. 17LE-13250-27(D4CK)-FA inch type	QQ Changed:9/05	1			
F1	EHA-0076006 E0-04560000	Fuse CCV-3AF12.5-3A Fuse CCV 3 FC125	Changed:9/05	1	D		
F2, 3	EHA-0201001 E0-04557000	Fuse CCV-2AF12.5-2A Fuse CCV 2 FC125	Changed:9/05	2	D		
PC1~3	24440400200	LED TLP521-2		3			
RLY1	ELA-0026001 E0-02317000	Relay A-5W-K	Changed:9/05	1			R
X1	DCD-0267001 D0-05752000	Crystal CSA32.00MXZ040-32MHz Crystal CSALA32M0X51-B0 32MHz	Changed:9/05	1	E		

*1: Q'ty/Unit *2: Recommended Parts *3: Revised Record *4: RoHS

1

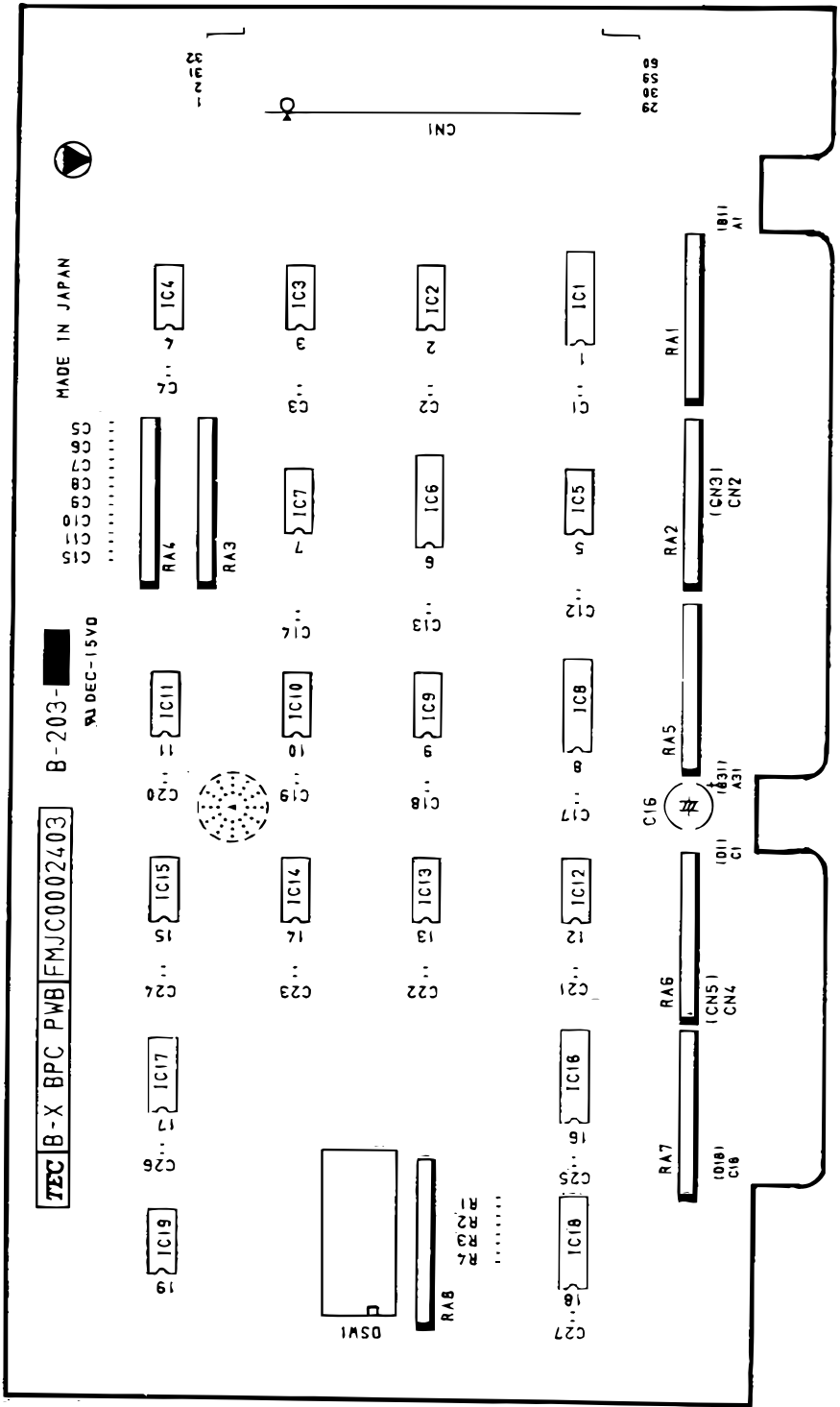
CPU PC BOARD ASS'Y 9/9

Ref.No.	Part No.	Description	Remarks	*1	*2	*3	*4
HS1	FMEB0087201	Heat Sink A		1			
	FMEB0087301	Heat Sink B		1			
	24BP0010306	Sems Screw SM-3x6C		2			
	X0-00055000	Double Sems Screw SMW-3X6	Added:9/05				
	24BB0010325	Sems Screw SM-3x25B		2			
HS2	X0-00135000	Double Sems Screw SM-3x25	Changed:9/05				
	FMEB0087201	Heat Sink A		1			
	FMEB0087401	Heat Sink C		1			
	24BP0010306	Sems Screw SM-3x6C		2			
SP101	X0-00055000	Double Sems Screw SMW-3X6	Added:9/05	2			
	24420130479	Jumper CONN. PS-40PF-D4T1- PKL1		1			
	E0-02054000		Changed:9/05				R
	FMEC0040801	CONN. Shield Plate	Attached to CN7, CN11 and CN19	1			R

*1: Qty/Unit *2: Recommended Parts *3: Revised Record *4: RoHS

2

BPC PC BOARD ASS'Y



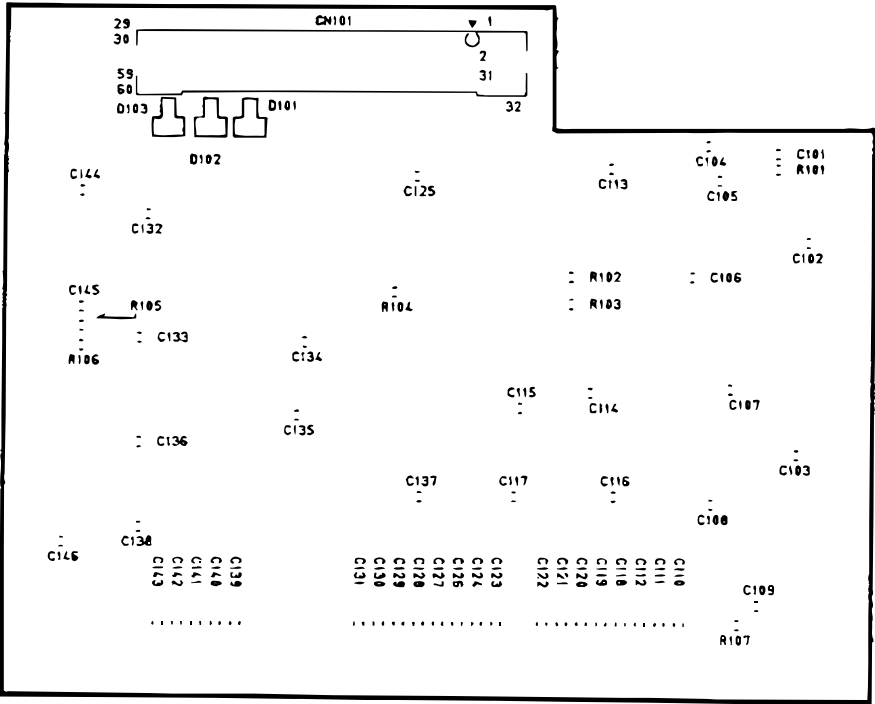
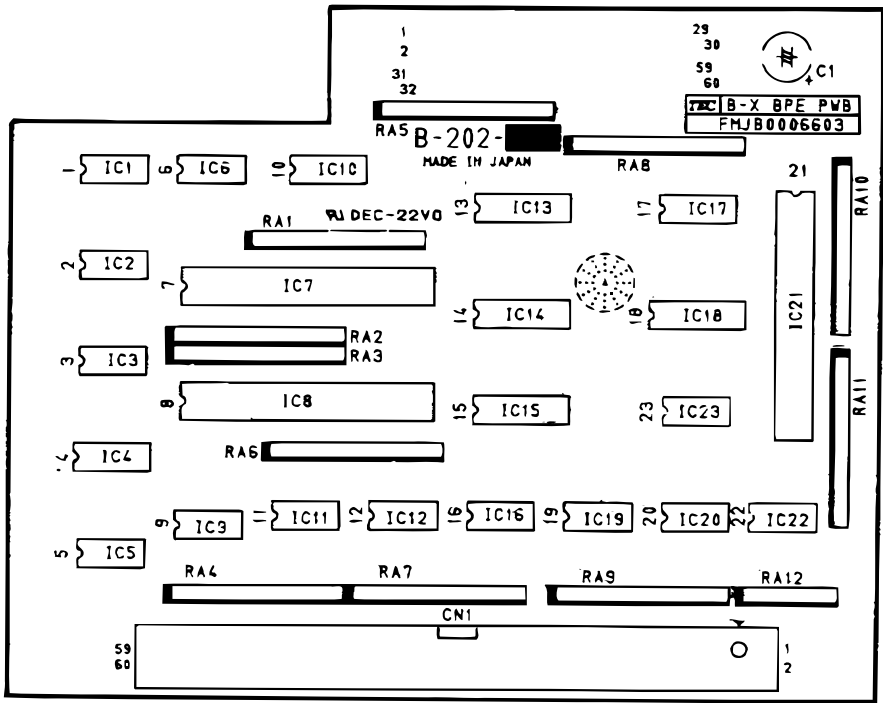
2 BPC PC BOARD ASS'Y

Ref.No.	Part No.	Description	Remarks	*1	*2	*3	*4
	-----	BPC PC Board Ass'y (SERV No. B-203-01)		1	E		
IC1,6	CAM-024508A	CMOS IC TC74AC245F TP2		2	E		
IC2~5	2420SNLS06S	TTL IC SN74LS06NS		4	E		
IC6,8,18	CAM-024408A	CMOS IC TC74AC244F		3	E		
IC7,11	CAF-001407F	TTL IC SN74LS14NS-SR05		2	E		
IC9,12	CAM-008608A	CMOS IC TC74AC86F		2	E		
IC10,13	CAM-000408A	CMOS IC TC74AC04F TP1		2	E		
IC14	CAF-003010F	TTL IC SN74AS30NS-SR05		1	E		
IC15,19	CAM-003208A	CMOS IC TC74AC32F TP1		2	E		
IC17	CAM-013908A	CMOS IC TC74AC139F TP2		1	E		
R1,4	DBK-103JA4J	Chip RSTR. CRG10GJ103T 10KΩ		2			
R2,3	DBK-333JA4J	Chip RSTR. CRG10GJ333T 33KΩ		2			
RA1~3,5~8	2425240008J	RSTR.Array EXB-F9E103J 10KΩ		7			
RA4	DBP-0013001	RSTR. Aray EXB-F9E471J 470KΩ		1			
C1~4,12~14, 17~27	DAB-103MK10	Ceramic CAP. GRM40B103K50PT 0.01μF		18			
C5~11,15	DAB-101MJ17	Ceramic CAP. GRM40CH101J50PT 100pF		8			
C16	DAA-101CM21	Electrolytic CESEM1A101 100μF		1			
CN1	EAA-2423001	CONN. 8850-060-170LD		1			
	FMEB0091401	PC Shield Plate		1			
	24B50010305	Flanged Screw FL-3x5		2			
	24BB001G606	Sems Screw SM-2.6x6		2			
DSW1	EBC-0065001	DIP Switch KS08		1			
J1	DBK-000JA4A	Chip RSTR. MCR10EZHZJ000 0Ω		1			

*1: Q'ty/Unit *2: Recommended Parts *3: Revised Record *4: New Parts

3

BPE PC BOARD ASS'Y

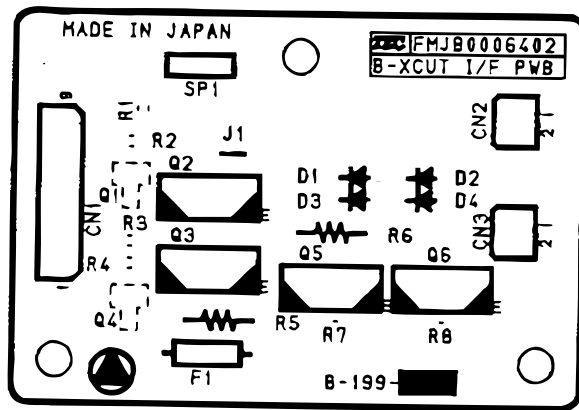


3 BPE PC BOARD ASS'Y

Ref.No.	Part No.	Description	Remarks	*1	*2	*3	*4
	-----	BPE PC Board Ass'y (SERV. No. B-202-01)		1	E		
IC1,23	CAM-000808A	CMOS IC TC74AC08F TP1		2	E		
IC2,6	CAM-003208A	CMOS IC TC74AC32F TP1		2	E		
IC3,19	CAM-000408A	CMOS IC TC74AC04F TP1		2	E		
IC4,17	CAM-017508A	CMOS IC TC74AC175F		2	E		
IC5	CAM-007408A	CMOS IC TC74AC74F TP1		1	E		
IC7,8,21	CAC-0274001	FIFO IC LH5496D-50		3	E		
IC9,11,12,20	CAF-001407F	TTL IC SN74LS14NS-SR05		4	E		
IC10	CAM-013808A	CMOS IC TC74AC138F TP1		1	E		
IC13~15,18	CAM-024408A	CMOS IC TC74AC244F		4	E		
IC16,22	2420SNLS06S	TTL IC SN74LS06NS		2	E		
R101	DBK-511JA4J	Chip RSTR. CRG10GJ511T 510Ω		1			
R102~107	DBK-103JA4J	Chip RSTR. CRG10GJ103T 10KΩ		6			
RA1~3,6,11	2425240008J	RSTR. Array EXB-F9E103J 10KΩ		5			
RA4,7,9	DBP-0013001	RSTR. Array EXB-F9E471J 470KΩ		3			
RA5,8,10	2425240030J	RSTR. Array EXB-F9E104J 100kΩ		3			
RA12	2425240007J	RSTR. Array EXB-F5E103J 10KΩ		1			
D101~103	CBN-0022001	Chip Diode HSM107STL		3			
C1	DAA-101MC21	Electrolytic CAP. CESEM1A101 100μF		1			
C101,110~112, 118~124,126~ 131,139~143	DAB-101MJ17	Creramic CAP. GRM40CH101J50PT 100pF		22			
C102~109,113, 115~117,125, 132~138,144, 146	DAB-103MK10	Ceramic CAP. GRM40B103K50PT 0.01μF		22			
C114,145,147, 148	DAB-471MJ07	Ceramic CAP. GRM40CH471J50PT 470pF		4			
CN1	EAA-0299020	CONN. 5332-60GS1		1			
CN101	EAA-2395001	CONN. 8811-060-170S		1			
J51	DBK-000JA4A	Chip RSTR. MCR10EZHZJ000 0Ω		1			

*1: Q'ty/Unit *2: Recommended Parts *3: Revised Record *4: New Parts

4 CUT I/F PC BOARD ASS'Y

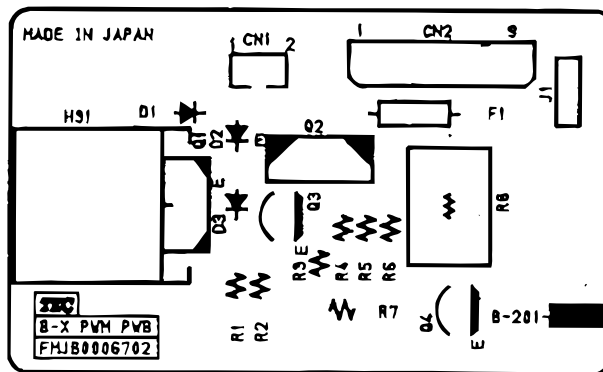


4	CUT I/F PC BOARD ASS'Y
----------	-------------------------------

Ref.No.	Part No.	Description	Remarks	*1	*2	*3	*4
	FMBB0034301	CUT I/F PC Board Ass'y (Service No. B-199-01)		1	E		
Q1,4	24220200310 CO-07391001	Chip XISTOR. FA1A4M T1B Chip XISTOR. FA1A4M-T1B-A	Changed:9/'05	2			R
Q2,3	CBA 0186001 CO-10851000	NPN XISTOR. 2SD1904RS NPN XISTOR. 2SD1904R/S-E	Changed:9/'05	2			R
Q5,6	CBA 0327001 CO-10840000	PNP XISTOR. 2SB1268 PNP XISTOR. 2SB1268-E	Changed:9/'05	2			R
R1,4,7,8	DBK 103JA4J D0-19902001	Chip RSTR. CRG10GJ103F 10K ohm Chip RSTR. MCR10EZHJ103	Changed:9/'05		4		R
	D0-14818001	RK73B2ATTD103J	Changed:9/'05				R
R2,3	DBK 102JA4J D0-19901001	Chip RSTR. CRG10GJ102F 1K ohm Chip RSTR. MCR10EZHJ102	Changed:9/'05	2			R
	D0-14810001	RK73B2ATTD102J	Changed:9/'05				R
R5,6	DBC 272JA5F D0-00271002	MOF RSTR. RSS1/2T52J 27K ohm RSS1/2T52J	Changed:9/'05	2			
D1~4	2421BAM01Z0 CO-09544001	Diode AM01Z Diode AM01ZV1	Changed:9/'05	4			R
F1	EHA 0076007 E0-03914000	Fuse CCV 1AF12.5 2A Fuse CCV 1 FC125	Changed:9/'05	1	D		
CN1	EAA 0520001 E0-00621000	CONN. 53014-0910	Changed:9/'05	1			R
CN2	EAA 0590001 E0-01067000	CONN. 53014-0211	Changed:9/'05	1			R
CN3	24420202270 E0-01068000	CONN. 53014-0212	Changed:9/'05	1			R
J1	DBA 0R0JA2F D0-20600001	Carbon RSTR. RD1/4SST236J 0 ohm	Changed:9/'05	1			R
	D0-00220001	RDM14TS000J 1/6ZT26	Changed:9/'05				

*1: Q'ty/Unit *2: Recommended Parts *3: Revised Record *4: RoHS

5 PWM PC BOARD ASS'Y

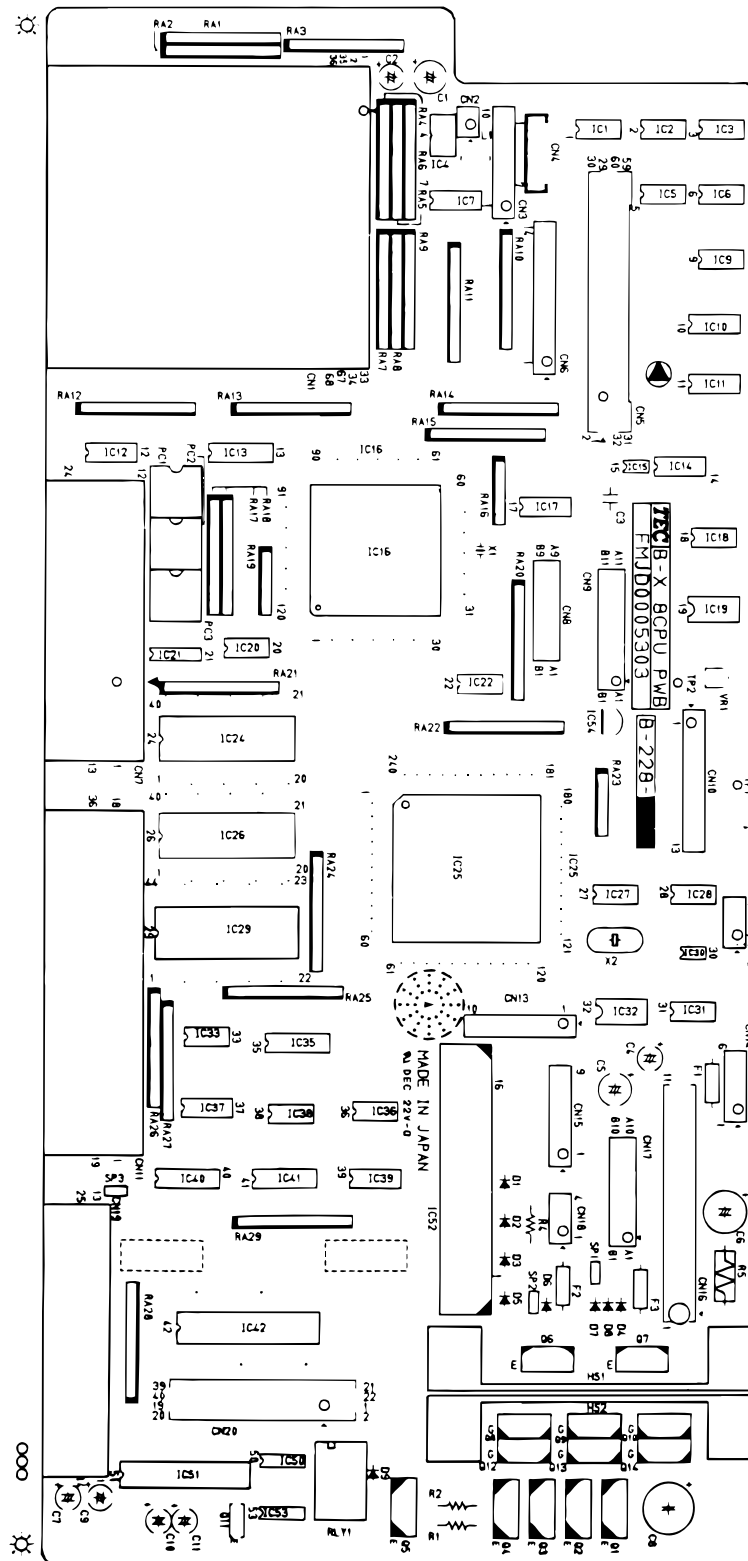


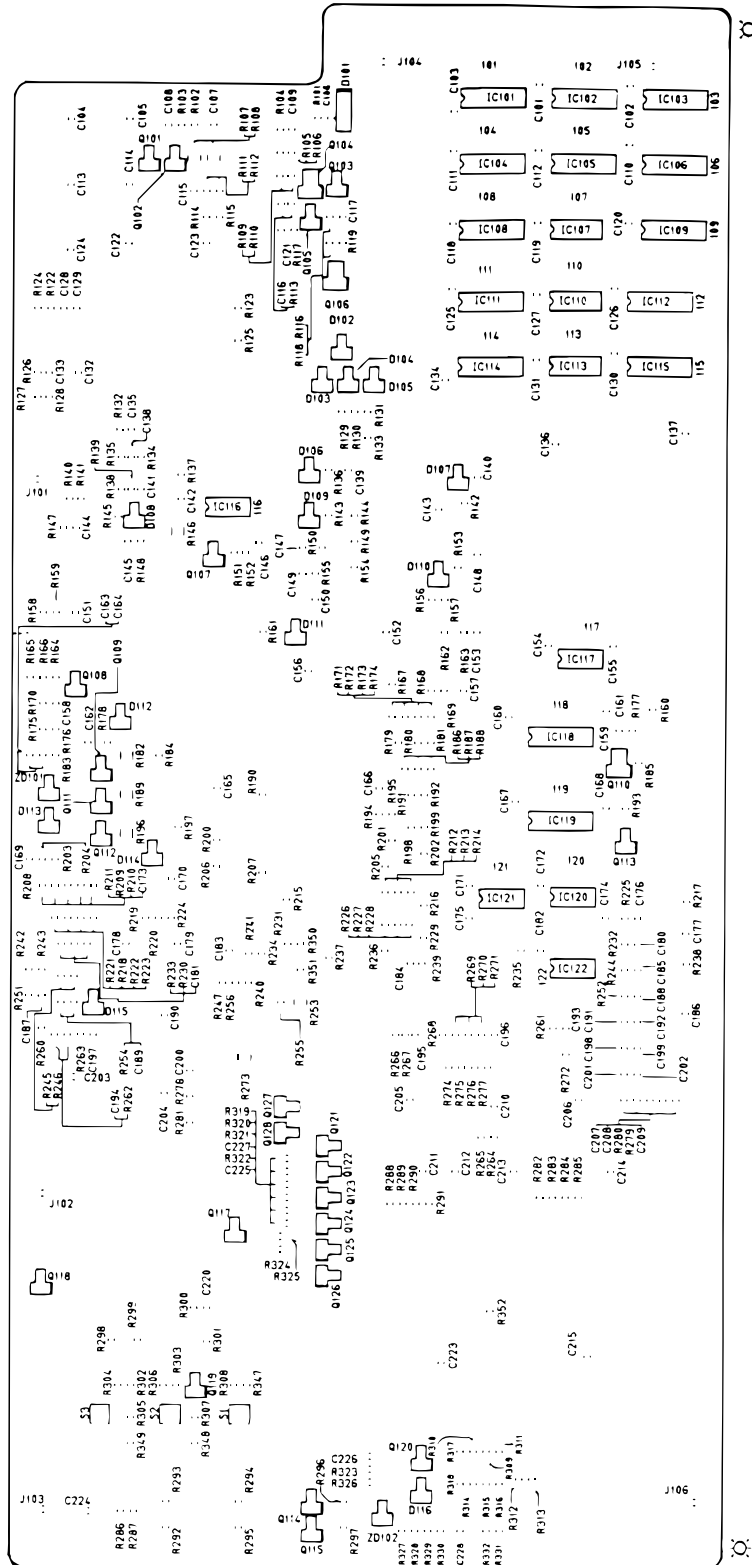
5	PWM PC BOARD ASS'Y
----------	---------------------------

Ref.No.	Part No.	Description	Remarks	*1	*2	*3	*4
	FMBB0032903	PWM PC Board Ass'y (Service No. B-201-03)		1	E		
Q2	CBA-0186001	NPN XISTOR. 2SD1904RS		1			
R4	DBA-103JA2F	Carbon RSTR. RD1/4SST26J 10K Ω		1			
R8, D3	DBA-R00JA2E	Carbon RSTR. RDM14SR00J 0 Ω		2			
R9	DBA-271JA2E	Carbon RSTR. RDM14TS271J 270 Ω		1			
D1	2421BAM01Z0	Diode AM01Z		1			
CN1	EAA-1738001	CONN. 53253-0210		1			
CN2	EAA-0520001	CONN. 53014-0910		1			
F1	EHA-0201001	Fuse CCV-2AF12.5 2A		1	D		

*1: Q'ty/Unit *2: Recommended Parts *3: Revised Record *4: New Parts

6 CPU PC BOARD ASS'Y (16MB-DRAM) 1/2





6	CPU PC BOARD ASS'Y (16MB-DRAM) 1/11
----------	--

Ref.No.	Part No.	Description	Remarks	*1	*2	*3	*4
	FMBC0043415	CPU PC Board Ass'y (SERV No. B-228-27)	QP	1	E		
	FMBC0043416	CPU PC Board Ass'y (SERV No. B-228-28)	QQ	1	E		
IC1	CAM-008608A C0-01095001 C0-08359001	CMOS IC TC74AC86F CMOS IC TC74AC86F(TP1) TC74AC86F(EL F)	Deleted:9/'05 Added:5/'04 Changed:9/'05	1	E		R
IC2,6,20,38	CAM-003208A C0-01090001 C0-08353001	CMOS IC TC74AC32F TP1 CMOS IC TC74AC32F(TP1) TC74AC32F(EL F)	Deleted:9/'05 Added:5/'04 Changed:9/'05	4	E		R
IC3	CAM-000402A C0-05934002 C0-08387001	CMOS IC TC74HC04AF TP1 CMOS IC TC74HC04AF(TP1) TC74HC04AF(EL F)	Deleted:9/'05 Added:5/'04 Changed:9/'05	1	E		R
IC4	CAG-0541001 C0-04071000 C0-11846000	Linear IC LT1109ACS8-12 Linear IC LT1109ACS8-12	Added:5/'04 Changed:9/'05	1	E		
IC5,33,117	CAM-007402A C0-01538001 C0-08505001	CMOS IC TC74HC74AF TP1 CMOS IC TC74HC74AF(EL) TC74HC74AF(EL F)	Deleted:9/'05 Added:5/'04 Changed:9/'05	3	E		R
IC7,37,39	CAM-015708A C0-01083001 C0-08346001	CMOS IC TC74AC157F CMOS IC TC74AC157F(TP1) TC74AC157F(EL F)	Deleted:9/'05 Added:5/'04 Changed:9/'05	3	E		R
IC9	CAM-012502G C0-03487001	CMOS IC MC74HC125ARR1 CMOS IC MC74HC125AFEL	Deleted:9/'05 Added:5/'04	1	E		R
IC10	CAM-012302A C0-01558002 C0-08402001	CMOS IC TC74HC123AF TP1 CMOS IC TC74HC123AF TC74HC123AF(EL F)	Deleted:9/'05 Added:5/'04 Changed:9/'05	1	E		R
IC11,14,17	CAM-005102E C0-05265001 C0-09797001	CMOS IC BU4051BCF CMOS IC BU4051BCF-T1	Deleted:9/'05 Added:5/'04 Changed:9/'05	3	E		R
IC12,113	CAM-017402A C0-05936002 C0-08434001	COMS IC TC74HC174AF TP1 CMOS IC TC74HC174AF(TP1) TC74HC174AF(EL F)	Added:5/'04 Changed:9/'05	2	E		R
IC13	CAM-057302A C0-01237001 C0-08495001	COMS IC TC74HC573AF CMOS IC TC74HC573AF(TP1) TC74HC573AF(EL F)	Deleted:9/'05 Added:5/'04 Changed:9/'05	1	E		R
IC15,30	CAG-0185001 C0-00178001 C0-09754001	Linear IC BA10393F T1 Linear IC BA10393F-E2	Deleted:9/'05 Added:5/'04 Changed:9/'05	2	E		R
IC16	CAA-0249001 C0-03339000	CPU μPD70236AGD-16-5BB CPU UPD70236AGD-16-5BB	Deleted:9/'05 Added:5/'04	1	E		
IC18	CAG-0439001 C0-05264001	Linear IC M62354FP Linear IC M62354FP 70ND	Deleted:9/'05 Added:5/'04	1	E		
IC19	CAG-0147001	A/D Converter TC35098P		1	E		
IC21	GBB-0022001 C0-01434001 C0-11201001	XISTOR. Array TD62004F XISTOR. Array TD62004F(TP1) TD62004AFG(S EL)	Deleted:9/'05 Added:5/'04 Added:9/'05	1			

*1: Q'ty/Unit *2: Recommended Parts *3: Revised Record *4: RoHS

6	CPU PC BOARD ASS'Y (16MB-DRAM) 2/11
----------	--

Ref.No.	Part No.	Description	Remarks	*1	*2	*3	*4
IC22	CAM-000408A C0-01525001 C0-08339001	CMOS IC TC74AC04F TP1 CMOS IC TC74AC04F(TP1) TC74AC04F(EL F)	Deleted:9/'05 Added:5/'04 Changed:9/'05	1	E		R
IC24,26	CAD-0286001	Flash ROM M5M28F102AFP-10		2	E		
IC25	CAJ-0294001 C0-13919000	Gate Array EC-M100 Gate Array EC-M100	Added:1/'07	1	E		
IC27	CAM-000406A C0-01271001 C0-08535001	CMOS IC TC74HCU04AF TP1 CMOS IC TC74HCU04AF(TP1) TC74HCU04AF(EL F)	Deleted:9/'05 Added:5/'04 Changed:9/'05	1	E		R
IC28,31,116	CAG-0578001 C0-02493001	Linear IC LM324NS Linear IC LM324ANSR	Deleted:9/'05 Added:5/'04	3	E		
IC29	CAE-0097001	Mask ROM EC-M119		1	E		
IC32	CAD-0149002 CAD-0288001 C0-04552000 C0-10514001 C0-04552000 C0-12151000 C0-13390000 EAA-2390001 EAB-0163003 E0-00151000 E0-08776000	EE-PROM ST93C46AB1 EE-PROM M93C46-BN6 EE-PROM M93C46-BN6 EE-PROM AT93C46-10SU-2.7 SL383 EE-PROM M93C46-BN6 M93C46-WBN6P AT93C46-10PU-1.8 IC Socket 2-641260-3 IC Socket 390261-2 IC Socket 390261-2 IC Socket 1-390261-2	Deleted:9/'05 Added:5/'04 Deleted:9/'05 Added:5/'04 Changed:6/'06 Changed:7/'06 Added:5/'06 Added:5/'06 1 Changed:2/2001 Added:5/'04 Added:12/'06	1 1 1 1 1 1 1	E E E E E E E		R R R R
IC35,108,109, 114	CAM-024408A C0-01088001 C0-08350001	CMOS IC TC74AC244F CMOS IC TC74AC244F(EL) TC74AC244F(EL F)	Deleted:9/'05 Added:5/'04 Changed:9/'05	4	E		R
IC36	CAM-000808A C0-01077001 C0-08340001	CMOS IC TC74AC08F TP1 CMOS IC TC74AC08F(EL) TC74AC08F(EL F)	Deleted:9/'05 Added:5/'04 Changed:9/'05	1	E		R
IC40,41,103, 115,118,119	CAM-024508A C0-01089001 C0-08351001	CMOS IC TC74AC245F TP2 CMOS IC TC74AC245F(EL) TC74AC245F(EL F)	Deleted:9/'05 Added:5/'04 Changed:9/'05	6	E		R
IC42	CAC-0450003 CAC-0391006 CAC-0509001	D-RAM HM5118160J-6 D-RAM KM416C1200CJ-6 D-RAM GM71C18160CJ-6	Interchangeable Added:6/'99 Deleted:9/'05 Added:6/'99 Deleted:9/'05	1	E		
	C0-04819000 C0-04797000	D-RAM GM71C18160CJ-6 D-RAM KM416C1200CJ-6	Added:5/'04 Added:5/'04				
IC50, 53	CAG-0438001 C0-07406001	Linear IC μPC844G2-T1 Linear IC UPC844G2-T1-A	Deleted:9/'05 Changed:5/'04	2	E		R
IC51	CAH-0055001 C0-03427000 EAB-0076001 EAB-0163004 E0-02104000	CMOS IC MC145407P CMOS IC MC145407P IC Socket 2-641264-3 IC Socket 390261-6 IC Socket D1CF-20CS-E	Deleted:9/'05 Added:5/'04 1 Changed:2/2001 Changed:2/'04	1 1 1	E E E		R
IC52	CAK-0056001 C0-02248000 C0-10337000	Hybrid IC STK6712AMK4 Hybrid IC STK6712AMK4 STK6712AMK4-E	Deleted:9/'05 Added:5/'04 Changed:9/'05	1	E		R
IC54	CAG-0524001 C0-04374000	Linear IC PST600D Linear IC PST600D-2	Deleted:9/'05 Added:5/'04	1	E		

*1: Q'ty/Unit *2: Recommended Parts *3: Revised Record *4: RoHS

6

CPU PC BOARD ASS'Y (16MB-DRAM) 3/11

Ref.No.	Part No.	Description	Remarks	*1	*2	*3	*4
IC101,104,111	CAP-024408F	TTL IC SN74ALS244BNS	Deleted:9/'05	3	E		R
	C0-02563001	TTL IC SN74ALS244CNSR	Added:5/'04				
	C0-11362001		Changed:9/'05				
IC102	CAP-057408F	TTL IC SN74ALS574BNS	Deleted:9/'05	1	E		R
	C0-02594001	TTL IC SN74ALS574BNSR	Added:5/'04				
	C0-11385001		Changed:9/'05				
IC105,106	CAP-024508F	TTL IC SN74ALS245ANSS-R	Deleted:9/'05	2	E		R
	C0-02565001	TTL IC SN74ALS245ANSR	Added:5/'04				
	C0-11364001		Changed:9/'05				
IC107,110	CAM-013808A	CMOS IC TC74AC138F TP1	Deleted:9/'05	2	E		R
	C0-01080001	CMOS IC TC74AC138F(TP1)	Added:5/'04				
	C0-08343001	TC74AC138F(EL F)	Changed:9/'05				
IC112	CAM-056402G	CMOS IC MC74HC564F	Added:9/'99	1	E		R
	CAM-056402A	CMOS IC TC74HC564AF	Deleted:9/'05				
	C0-01236001	CMOS IC TC74HC564AF(EL)	Added:5/'04				
IC120,122	C0-08494001	TC74HC564AF(EL F)	Changed:9/'05	2	E		R
	CAP-001407F	TTL IC SN74LS14NST-R	Deleted:9/'05				
	C0-02705001	TTL IC SN74LS14NSR	Added:5/'04				
IC121	C0-11544001		Changed:9/'05	1	E		R
	CAP-000606F	TTL IC SN7406NST-R	Deleted:9/'05				
	C0-02508001	TTL IC SN7406NSR	Added:5/'04				
Q1,2,5	C0-11290001		Changed:9/'05	3			R
	CBA-0414001	NPN XISTOR. 2SD1904S	Deleted:9/'05				
	C0-02186000	NPN XISTOR. 2SD1904S	Added:5/'04				
Q3,4	C0-10852000	2SD1904S-E	Changed:9/'05	2			R
	CBA-0327001	PNP XISTOR. 2SB1268	Deleted:9/'05				
	C0-02108000	NPN XISTOR. 2SB1268	Added:5/'04				
Q6,7	C0-10840000	2SB1268-E	Changed:9/'05	2			R
	CBA-0326001	NPN XISTOR. 2SD1838	Added:5/'04				
	C0-02185000	NPN XISTOR. 2SD1838	Changed:9/'05				
Q8~10,12~14	C0-10850000		Changed:9/'05	6			R
	CBA-0332001	FET XISTOR. 2SJ295	Deleted:9/'05				
	CBQ-0125001	FET XISTOR. 2SJ334					
	CBQ-0126001	FET XISTOR. 2SJ376					
	C0-00591000	FET XISTOR. 2SJ334	Added:5/'04				
Q11	C0-08728000	2SJ334(F)	Changed:9/'05	1			R
	CBA-0091002	Chip XISTOR. 2SD1802	Deleted:9/'05				
	C0-02183000	Chip XISTOR. 2SD1802	Added:5/'04				
Q101~103,105, 113~121,115, 117~115,121, 123,125,127	C0-07883000	2SD1802S/T-E	Changed:9/'05	15			R
	CBC-0017001	Chip XISTOR. FA1A4M-T1B	Q115, 121: Corrected: 5/'04				
	C0-07391001	Chip XISTOR. FA1A4M-T1B-A	Changed:5/'04				
Q104,106,110	CBA-0087001	Chip XISTOR. 2SB1115-T1	Added:5/'04	3			R
	C0-07376001	Chip XISTOR. 2SB1115-T1-AZ	Changed:5/'04				
Q107~109,111, 112	CBA-0088001	Chip XISTOR. 2SC1621-T1	Added:5/'04	5			R
	C0-07352001	Chip XISTOR. 2SC1621-T1B-A	Changed:5/'04				
Q122,124,126, 128	CBC-0018001	Chip XISTOR. FN1A4M-T1B	Added:5/'04	4			R
	C0-07392001	Chip XISTOR. FN1A4M-T1B-A	Changed:5/'04				

*1: Q'ty/Unit *2: Recommended Parts *3: Revised Record *4: RoHS

6

CPU PC BOARD ASS'Y (16MB-DRAM) 4/11

Ref.No.	Part No.	Description	Remarks	*1	*2	*3	*4
		<Chip RSTR.>					
R101,103,111, 113,114,118, 162,165,170, 177,183~185, 217,225,232, 238,244,245, 252,278,280, 317	DBK-102JA4A D0-01741001 D0-19901001	MCR10EZHZ102 1K ohm MCR10EZHZ102 1k ohm	Deleted:9/'05 Added:5/'04 Changed:9/'05	23			R
R104,106	DBK-102FA4A D0-01616001 D0-19702001	MCR10EZHF1001 1K ohm MCR10EZHF1001 1K ohm	Deleted:9/'05 Added:5/'04 Changed:9/'05	2			R
R105,251	DBK-681FA4A D0-01716001 D0-19864001	MCR10EZHF6800 680 ohm MCR10EZHF6800 680 ohm	Deleted:9/'05 Added:5/'04 Deleted:9/'05	2			R
R102,112,115, 124,132,156~ 158,161,163, 175,203,208, 230,235,261, 272, 281,286,292, 294,295,297, 306,310,315, 318,326,328	DBK-103JA4A D0-01742001 D0-19902001	MCR10EZHZ103 10K ohm MCR10EZHZ103 10K ohm	Deleted:9/'05 Added:5/'04 Changed:9/'05	29			R
R107,253,273	DBK-221JA2A D0-00592001 D0-20198001	MCR25JZHJ221 220 ohm MCR25JZHJ221 220 ohm	Deleted:9/'05 Added:5/'04 Changed:9/'05	3			R
R108	DBK-111JA2A D0-00576001 D0-20179001	MCR25JZHJ111 110 ohm MCR25JZHJ111 110 ohm	Deleted:9/'05 Added:5/'04 Changed:9/'05	1			R
R109,242	DBK-222FA4A D0-01658001 D0-19766001	MCR10EZHF2201 2.2K ohm MCR10EZHF2201 2.2K ohm	Deleted:9/'05 Added:5/'04 Changed:9/'05	2			R
R110,119, 129~131,133, 136,142~144, 149,150,153, 154,167~169, 171~174,178~ 181,186~188, 191,192,194, 195,197~199, 201,202,205, 207,212~216, 220,226~229, 231,234,236, 237,239~241, 247~250,256, 259,268~270, 274~277,282~ 285,288~291, 350~352	DBK-470JA4A D0-01807001 D0-19978001	MCR10EZHZ470 47 ohm MCR10EZHZ470 47 ohm	R350~352: Added:9/'99 R257~259: Deleted:5/'04 Deleted:9/'05 Added:5/'04 Changed:9/'05	73 76			R

*1: Q'ty/Unit *2: Recommended Parts *3: Revised Record *4: RoHS

6	CPU PC BOARD ASS'Y (16MB-DRAM) 5/11
----------	--

Ref.No.	Part No.	Description	Remarks	*1	*2	*3	*4
R116,166,313	DBK-332JA4A D0-01793001 D0-19962001	MCR10EZHH332 3.3K ohm MCR10EZHH332 3.3K ohm	Deleted:9/'05 Added:5/'04 Changed:9/'05	3			R
R117,122,135, 193,321,325	DBK-682JA4A D0-01827001 D0-20003001	MCR10EZHH682 6.8K ohm MCR10EZHH682 6.8K ohm	Deleted:9/'05 Added:5/'04 Changed:9/'05	6			R
R123	DBK-152JA4A D0-01755001 D0-19920001	MCR10EZHH152 1.5K ohm MCR10EZHH152 1.5K ohm	Deleted:9/'05 Added:5/'04 Changed:9/'05	1			R
R125,311	DBK-432JA4A D0-01805001 D0-19976001	MCR10EZHH432 4.3K ohm MCR10EZHH432 4.3K ohm	Deleted:9/'05 Added:5/'04 Changed:9/'05	2			R
R126,147	DBK-103FA4A D0-01617001 D0-19703001	MCR10EZHJ1002 10K ohm MCR10EZHJ1002 10K ohm	Deleted:9/'05 Added:5/'04 Changed:9/'05	2			R
R127,260	DBK-563FA4A D0-01707001 D0-19847001	MCR10EZHJ5602 56K ohm MCR10EZHJ5602 56K ohm	Deleted:9/'05 Added:5/'04 Changed:9/'05	2			R
R128,137	DBK-203JA4A D0-01768001 D0-19935001	MCR10EZHH203 20K ohm MCR10EZHH203 20K ohm	Deleted:9/'05 Added:5/'04 Changed:9/'05	2			R
R134,139,148, 159,302,312	DBK-472JA4A D0-01809001 D0-19980001	MCR10EZHH472 4.7K ohm MCR10EZHH472 4.7K ohm	Deleted:9/'05 Added:5/'04 Changed:9/'05	6			R
R138	DBK-224JA4A D0-01775001 D0-19942001	MCR10EZHH224 220K ohm MCR10EZHH224 220K ohm	Deleted:9/'05 Added:5/'04 Changed:9/'05	1			R
R140,141,323	DBK-273JA4A D0-01784001 D0-19951001	MCR10EZHJ273 27K ohm MCR10EZHJ273 27K ohm	Deleted:9/'05 Added:5/'04 Changed:9/'05	3			R
R145	DBK-563JA4A D0-01822001 D0-19994001	MCR10EZHJ563 56K ohm MCR10EZHJ563 56K ohm	Deleted:9/'05 Added:5/'04 Changed:9/'05	1			R
R146,182,189, 196	DBK-151JA1A D0-00643001 D0-20306001	MCR50JZHJ151 150 ohm MCR50JZHJ151 150 ohm	Deleted:9/'05 Added:5/'04 Changed:9/'05	4			R
R151,218	DBK-163JA4A D0-01759001 D0-19924001	MCR10EZHH163 16K ohm MCR10EZHH163 16K ohm	Deleted:9/'05 Added:5/'04 Changed:9/'05	2			R
R152,221	DBK-223JA4A D0-01774001 D0-19941001	MCR10EZHH223 22K ohm MCR10EZHH223 22K ohm	Deleted:9/'05 Added:5/'04 Changed:9/'05	2			R
R155	DBK-330JA4A D0-01791001 D0-19960001	MCR10EZHH330 33 ohm MCR10EZHH330 33 ohm	Deleted:9/'05 Added:5/'04 Changed:9/'05	1			R
R164,331	DBK-560JA4A D0-01819001 D0-19991001	MCR10EZHJ560 56 ohm MCR10EZHJ560 56 ohm	Deleted:9/'05 Added:5/'04 Changed:9/'05	2			R
R176,254	DBK-104JA4A D0-01743001 D0-19903001	MCR10EZHJ104 100K ohm MCR10EZHJ104 100K ohm	Deleted:9/'05 Added:5/'04 Changed:9/'05	2			R

*1: Q'ty/Unit *2: Recommended Parts *3: Revised Record *4: RoHS

6	CPU PC BOARD ASS'Y (16MB-DRAM) 6/11
----------	--

Ref.No.	Part No.	Description	Remarks	*1	*2	*3	*4
R190,255	DBK-912JA4A D0-01838001	MCR10EZHJ912 9.1K ohm MCR10EZHJ912 9.1K ohm	Deleted:9/'05 Added:5/'04	2			
	D0-20018001		Changed:9/'05				R
R200,266,267, 330,220,J102	DBK-000JA4A	MCR10EZHJ000 0 ohm	R266,267: Added:9/'99	3 5			
			Corrected: R200 to R220				
	D0-01189001 D0-19898001	MCR10EZHJ000 0 ohm	Deleted:9/'05 Added:5/'04				R
R204	DBK-564JA4A D0-01859001	MCR10EZHJ564 560K ohm MCR10EZHJ564 560K ohm	Deleted:9/'05 Added:5/'04	1			R
	D0-19995001		Changed:9/'05				R
R209,223	DBK-153FA4A D0-01639001	MCR10EZHJ1502 15K ohm MCR10EZHJ1502 15K ohm	Deleted:9/'05 Added:5/'04	2			R
	D0-19737001		Changed:9/'05				R
R210,222	DBK-113FA4A D0-01622001	MCR10EZHJ1102 11K ohm MCR10EZHJ1102 11K ohm	Deleted:9/'05 Added:5/'04	2			R
	D0-19711001		Changed:9/'05				R
R211	DBK-222JA4A D0-01773001	MCR10EZHJ222 2.2K ohm MCR10EZHJ222 2.2K ohm	Deleted:9/'05 Added:5/'04	1			R
	D0-19940001		Changed:9/'05				R
R219	DBK-105JA4A D0-01744001	MCR10EZHJ105 1M ohm MCR10EZHJ105 1M ohm	Deleted:9/'05 Added:5/'04	1			R
	D0-19904001		Changed:9/'05				R
R233	DBK-334JA4A D0-01795001	MCR10EZHJ334 330K ohm MCR10EZHJ334 330K ohm	Deleted:9/'05 Added:5/'04	1			R
	D0-19964001		Changed:9/'05				R
R243,319,320	DBK-392FA4A D0-01686001	MCR10EZHJ3901 3.9K ohm MCR10EZHJ3901 3.9K ohm	Deleted:9/'05 Added:5/'04	3			R
	D0-19812001		Changed:9/'05				R
R246	DBK-362JA4A D0-01798001	MCR10EZHJ362 3.6K ohm MCR10EZHJ362 3.6K ohm	Deleted:9/'05 Added:5/'04	1			R
	D0-19967001		Changed:9/'05				R
R262,263,316	DBK-153JA4A D0-01756001	MCR10EZHJ153 15K ohm MCR10EZHJ153 15K ohm	Deleted:9/'05 Added:5/'04	3			R
	D0-19921001		Changed:9/'05				R
R271	DBK-200JA4A D0-01765001	MCR10EZHJ200 20 ohm MCR10EZHJ200 20 ohm	Deleted:9/'05 Added:5/'04	1			R
	D0-19932001		Changed:9/'05				R
R279,327,329	DBK-101JA4A D0-01740001	MCR10EZHJ101 100 ohm MCR10EZHJ101 100 ohm	Deleted:9/'05 Added:5/'04	3			R
	D0-19900001		Changed:9/'05				R
R287	DBK-271JA4A D0-01782001	MCR10EZHJ271 270 ohm MCR10EZHJ271 270 ohm	Deleted:9/'05 Added:5/'04	1			R
	D0-19949001		Changed:9/'05				R
R293,296	DBK-471JA4A D0-01808001	MCR10EZHJ471 470 ohm MCR10EZHJ471 470 ohm	Deleted:9/'05 Added:5/'04	2			R
	D0-19979001		Changed:9/'05				R

*1: Q'ty/Unit *2: Recommended Parts *3: Revised Record *4: RoHS

6	CPU PC BOARD ASS'Y (16MB-DRAM) 7/11
----------	--

Ref.No.	Part No.	Description	Remarks	*1	*2	*3	*4
R298,300	DBK-221JA4A D0-01772001 D0-19939001	MCR10EZHHJ221 220 ohm MCR10EZHHJ221 220 ohm	Deleted:9/'05 Added:5/'04 Changed:9/'05	2			R
R299,301,324	DBK-683JA4A D0-01829001 D0-20004001	MCR10EZHHJ683 68K ohm MCR10EZHHJ683 68K ohm	Deleted:9/'05 Added:5/'04 Changed:9/'05	3			R
R303	DBK-822JA4A D0-05867001 D0-20014001	MCR10EZHHJ822 8.2K ohm MCR10EZHHJ822 8.2K ohm	Deleted:9/'05 Added:5/'04 Changed:9/'05	1			R
R304,309,314	DBK-333JA4A D0-01794001 D0-19963001	MCR10EZHHJ333 33K ohm MCR10EZHHJ333 33K ohm	Deleted:9/'05 Added:5/'04 Changed:9/'05	3			R
R305,307,308, 347~349	DBK-100JA4A D0-01739001 D0-19899001	MCR10EZHHJ100 10 ohm MCR10EZHHJ100 10 ohm	R347~349: Added:9/'99 Deleted:9/'05 Added:5/'04 Changed:9/'05	3 6			R
R322,332	DBK-391JA4J D0-01800001 D0-19970001	MCR10EZHHJ391 390 ohm MCR10EZHHJ391 390 ohm	Deleted:9/'05 Added:5/'04 Changed:9/'05	2			R
R1,2	DBC-222JA5F D0-00270000	RSS1/2PJ 2.2K ohm RSS1/2PJ 2.2K ohm	Deleted:9/'05 Changed:5/'04	2			
R4	DBC-272JA5F D0-00271002	RSS1/252J 2.7K ohm RSS1/2T52J 2.7K ohm	Deleted:9/'05 Changed:5/'04				
R5	DBC-102JA3G D0-01974000 D0-22660000	RSM2FB 1K ohm J RSM2FB 1K ohm J	Deleted:9/'05 Added:5/'04 Changed:9/'05	1			
		<MOFRSTR.>					
RA1~15,18,20 ~22,24,25, 27~29	DBP-0110018 D0-05301000 D0-24435000	EXB-F9E103J 10K ohm RGLD8X103J 10K ohm	Deleted:9/'05 Added:5/'04 Changed:9/'05	24			R
RA16,19,23	DBP-0047004 D0-05155000 D0-24322000	EXB-F5E103J 10K ohm RGLD4X103J 10K ohm	Deleted:9/'05 Added:5/'04 Changed:9/'05	3			R
RA17	DBP-0013001 D0-05331000 D0-24479000	EXB-F9E471J 470 ohm RGLD8X471J 470 ohm	Deleted:9/'05 Added:5/'04 Changed:9/'05	1			R
RA26	DBP-0002003 D0-05299000 D0-24428000	EXB-F9E102J 1K ohm RGLD8X102J 1K ohm	Deleted:9/'05 Added:5/'04 Changed:9/'05	1			R
VR1	DBG-0196001 D0-05517001 D0-22875001	V. RSTR. RVG4H01 102VM TC 1K ohm V. RSTR. PVM4A102A01R00 1K ohm V. RSTR. PVM4A102C01R00 1K ohm	Deleted:9/'05 Added:5/'04 Deleted:9/'05 Changed:9/'05	1	E		R

*1: Q'ty/Unit *2: Recommended Parts *3: Revised Record *4: RoHS

6	CPU PC BOARD ASS'Y (16MB-DRAM) 8/11
---	--

Ref.No.	Part No.	Description	Remarks	*1	*2	*3	*4
D1~8	CBE-0085001 CO-00011001 CO-09544001	Diode AM01Z Diode AM01ZV1	Deleted:9/'05 Added:5/'04	8			R
D9	CBE-0029001 CO-03764000 CO-11907000	Diode ERA15-01 Diode ERA15-01	Deleted:9/'05 Added:5/'04 Changed:9/'05	1			R
D101	CBE-0231001 CO-02241001	Diode SB11-04HP-TR Diode SB11-04HP-TR	Deleted:9/'05 Added:5/'04	1			R
D108,116	CBE-0100001 CO-00471002 CO-08894001	Diode 1SS187 TE85L Diode 1SS187(TE85L) Diode 1SS187(TE85L F)	Added:5/'04 Changed:9/'05	2			R
D113,115	CBN-0022001 CO-02431001	Diode HSM107STL Diode HSM107STL	Deleted:9/'05 Added:5/'04	2			
ZD101	CBG-0222001 CO-00435001	Z. Diode 02CZ4.7Y Z. Diode 02CZ4.7-Y(TE85R)	Deleted:9/'05 Added:5/'04	1			
ZD102	CBG-0361001 CO-00433001	Z. Diode 02CZ4.3X Z. Diode 02CZ4.3-X(TE85R)	Deleted:9/'05 Added:5/'04	1			
		<Electrolytic CAP.>					
C1	DAA-470FM28 DAA-470FM67 DO-03529001 DO-00707001 DO-23543001	16SA47M 47μF 16V 16FA47M 47μF 16V 16FA47M-T4 47μF 16SA47M+T 47μF	Changed:10/'98 Deleted:9/'05 Added:5/'04 Added:5/'04 Changed:9/'05	1			R
C2	DAA-220FM19 DAA-220FM55 DO-03528001 DO-18998001 DO-23546001	16SA22M 22μF 16V 16FA22M 22μF 16V 16FA22M-T4 22μF 20SA22M+T 22μF	Changed:10/'98 Deleted:9/'05 Added:5/'04 Added:5/'04 Changed:9/'05	1			R
C4	DAA-221CM17 DO-03636001	CESEM1A221 T4 220μF 10V TC04RSME10VB220MF50 220μF	Deleted:9/'05 Added:5/'04	1			R
C5	DAA-100FM18 DO-03647001 DO-16643001	CESEM1C100 10μF TC04RKME16VB10MF50 10μF TC04RKME16VB10MF50E0 10μF	Deleted:9/'05 Changed:9/'05	1			R
C6	DAA-101MM08 DO-03644001	CESEM1H101A 100μF 50V TC04RSME50VB100MF50 100μF	Deleted:9/'05 Added:5/'04	1			
C7,C9~11	DAA-100HM16 DO-03638001	CESEM1E100 10μF 25V TC04RSME25VB10MF50 10μF	Deleted:9/'05 Added:5/'04	4			
C8	DAA-221MM12 DO-06727001	CESEM1H221 T4 220μF 50V TD04RSME50VB220MF50 220μF	Deleted:9/'05 Added:5/'04	1			
		<Chip CAP.>					
C128,163,189	DAB-102MK05 DO-05660001	GRM40B102K50PT 1000pF GRM216B11H102KA01D 1000pF	Deleted:9/'05 Added:5/'04	3			R
C145	DAB-561MK06 DO-09190001	GRM40CH561K50PT 560pF GRM2162C1H561JA01D 560pF	Deleted:9/'05 Added:5/'04	1			R
C149	DAB-050MK02 DO-05685001	GRM40CH050D50PT 5pF GRM2162C1H5R0DD01D 5pF	Deleted:9/'05 Added:5/'04	1			R

*1: Q'ty/Unit *2: Recommended Parts *3: Revised Record *4: RoHS

6	CPU PC BOARD ASS'Y (16MB-DRAM) 9/11
----------	--

Ref.No.	Part No.	Description	Remarks	*1	*2	*3	*4
C176,177,180, 185,186,188, 191,192,198, 199,201,202, 207~209,227	DAB-101MJ17 D0-05691001	GRM40CH101J50PT 100pF GRM2162C1H101JA01D 100pF	Deleted:9/'05 Added:5/'04	16			R
C101~107,110 ~114,117~122, 124~127,129~ 132,134~137, 139,140,142~ 144,146,148, 150~157,159, 160,165~168, 170~175,181~ 184,190,193, 195~197,203~ 206,210~215, 223~226	DAB-103MK10 D0-05661001	GRM40B103K50PT 0.01μF GRM216B11H103KA01D 0.01μF	Deleted:9/'05 Added:5/'04	80			R
		<Ceramic CAP.>					
C108,109,115, 116,123,133, 138,141,158, 161,162,164, 169,187,200, 228	DAB-104MZ11 D0-05722001	GRM40F104Z50PT 0.1μF GRM219F11H104ZA01D 0.1μF	Deleted:9/'05 Added:5/'04	16			R
C178,179	DAB-200MJ10 D0-05699001	GRM40CH200J50PT 20pF GRM2162C1H200JZ01D 20pF	Deleted:9/'05 Added:5/'04	2			R
C194,220	DAB-391MK03 D0-05711001	GRM40CH391J50PT 390pF GRM2162C1H391JA01D 390pF	Deleted:9/'05 Added:5/'04	2			R
		<Film CAP.>					
C3	DAC-334MK02 D0-03738000	DTDB1H334K 0.33μF DTDB1H334K 0.33μF	Deleted:9/'05 Added:5/'04	1			
L1	BDH-0087001 D0-07378001	Inductor CD54-270MC Inductor CD54-270MC	Deleted:9/'05 Added:5/'04	1			
CN1	EAA-2310001 E0-05875000 E0-11485000 X0110208131 X0-00020000 X5110200130 X0-00840000	CONN. CLE9068-1801 CONN. CLE9068-1801R CONN. IC1FA-68PD-1.27DS(72) Sems Screw SM-2x8 Sems Screw SM-2x8 Nut N-2 Nut N-2	Deleted:9/'05 Added:5/'04 Changed:12/'06 Added:5/'04	1 2 2			
CN2	EAA-0290003 E0-00614000	CONN. 53014-0210 CONN. 53014-0210	Deleted:9/'05 Added:5/'04	1			R
CN3	EAA-0046001 E0-00622000	CONN. 53014-1010 CONN. 53014-1010	Deleted:9/'05 Added:5/'04	1			R
CN4	EAA-2187001 E0-06791000 E0-09514000	CONN. B7B-PH-K-S CONN. B7B-PH-K-S (LF) CONN. B7B-PH-K-S (LF)(SN)	Changed:5/'04 Changed:7/'06	1			R R
CN5	EAA-2394001 E0-02952000	CONN. 8801-060-170S CONN. 8801-060-170S	Deleted:9/'05 Added:5/'04	1			

*1: Q'ty/Unit *2: Recommended Parts *3: Revised Record *4: RoHS

6	CPU PC BOARD ASS'Y (16MB-DRAM) 10/11
----------	---

Ref.No.	Part No.	Description	Remarks	*1	*2	*3	*4
CN6	FAA-2387001	CONN. 53014-1412	Deleted:9/'05	1			
	E0-01086000	CONN. 53014-1412	Added:5/'04				R
CN7	FAA-2304001	CONN. 57RE-40240-730B(D29A)	Deleted:9/'05	1			
	E0-04647000	CONN. 57RE-40240-730B(D29A)	Added:5/'04				
CN8	E0-08179000	CONN. 57RE-40240-730B(D29A)-FA	Deleted:9/'05	1			
	E0-09175000	CONN. LY20-18P-DT1-P5E	Changed:6/'06				R
CN9	FAA-2198001	CONN. LY20-22P-DT1-P5	Deleted:9/'05	1			
	E0-02011000	CONN. LY20-22P-DT1-P5	Added:5/'04				
CN10	E0-09177000	CONN. LY20-22P-DT1-P5E	Deleted:9/'05	1			
	E0-00624000	CONN. 53014-1310	Added:5/'04				R
CN11	FAA-2181001	CONN. 57RE-40360-730B	Deleted:9/'05	1			
	E0-05621000	CONN. 57RE-40360-730B(D29A)	Added:5/'04				
CN12	E0-08181000	CONN. 57RE-40360-730B(D29A)-FA	Deleted:9/'05	1			
	E0-00616000	CONN. 53014-0410	Added:5/'04				R
CN13	FAA-2386001	CONN. 53014-1012	Deleted:9/'05	1			
	E0-01083000	CONN. 53014-1012	Added:5/'04				R
CN14	FAA-0290004	CONN. 53014-0610	Deleted:9/'05	1			
	E0-00618000	CONN. 53014-0610	Added:5/'04				R
CN15	FAA-0520001	CONN. 53014-0910	Deleted:9/'05	1			
	E0-00621000	CONN. 53014-0910	Added:5/'04				R
CN16	FAA-0319010	CONN. 5275-11A	Deleted:9/'05	1			
	E0-00679000	CONN. 5275-11A	Added:5/'04				R
CN17	FAA-1486001	CONN. LY20-20P-DT1-P5	Deleted:9/'05	1			
	E0-02009000	CONN. LY20-20P-DT1-P5	Added:5/'04				
CN18	E0-09176000	CONN. LY20-20P-DT1-P5E	Deleted:9/'05	1			
	E0-01076000	CONN. 53014-0412	Added:5/'04				R
CN19	FAA-0361018	CONN. 17LE-13250-27(D4AK)	QP	1			
	E0-04637000	metric type CONN. 17LE-13250-27(D4AK)	Deleted:9/'05 Added:5/'04				
CN20	E0-08165000	CONN. 17LE-13250-27(D4AK)-FA	Deleted:9/'05	1			
	E0-00638000	CONN. 17LE-13250-27(D4CK)	Added:5/'04				
F1	FAA-0076006	Fuse CCV 3AF12.5-3A	Deleted:9/'05	1	D		
	E0-04560000	Fuse CCV 3 FC125	Added:5/'04				
F2, 3	FAA-0201001	Fuse CCV 2AF12.5-2A	Deleted:9/'05	2	D		
	E0-04557000	Fuse CCV 2 FC125	Added:5/'04				
PC1~3	Z4440400200	LED TLP521-2	Deleted:9/'05	3			
	C0-01621000	LED TLP521-2(A)	Added:5/'04				
	C0-08807000	LED TLP521-2(A F)	Changed:9/'05				

*1: Q'ty/Unit *2: Recommended Parts *3: Revised Record *4: RoHS

6

CPU PC BOARD ASS'Y (16MB-DRAM) 11/11

Ref.No.	Part No.	Description	Remarks	*1	*2	*3	*4
RLY1	ELA-0026001 E0-02317000	Relay A-5W-K Relay A-5W-K	Deleted:9/'05 Added:5/'04	1			R
X1	DCD-0267001 D0-05752000	Crystal CSA32.00MXZ040-32MHz Crystal CSALA32M0X51-B0	Deleted:9/'05 Added:5/'04	1	E		
X2	DCD-0320001 DCD-0312003 D0-00100000 D0-00117000 D0-20639000	Crystal HC-49/US-20MHz Crystal AT51-20.000MHz Crystal HC-49/U-S 20.000MHZ Crystal AT-51 20.000MHZ Crystal AT-51-20MHZ-12PF-50PPM	Deleted:9/'05 Deleted:9/'05 Added:5/'04 Added:5/'04 Changed:9/'05	1	E		R
HS1	FMEB0087201 FMEB0087301 X0110306136 X0-00055000 24BB0010325 X0-00137000	Heat Sink A Heat Sink B Double Sems Screw SMW-3x6C Double Sems Screw SMW-3x6 Double Sems Screw SMW-3x30C Double Sems Screw SMW-3x30		1 1 2 2			
HS2	FMEB0087201 FMEB0087401 X0110306136 X0-00055000	Heat Sink A Heat Sink C Double Sems Screw SMW-3x6C Double Sems Screw SMW-3x6		1 1 2			
	FMEC0040801 7FM02646000	CONN. Shield Plate	Attached to CN7, CN11 and CN19 Changed:12/'06	1			R
	7FM02643000	Shield Sheet	Added:12/'06 Attached to CN1				

*1: Q'ty/Unit *2: Recommended Parts *3: Revised Record *4: RoHS